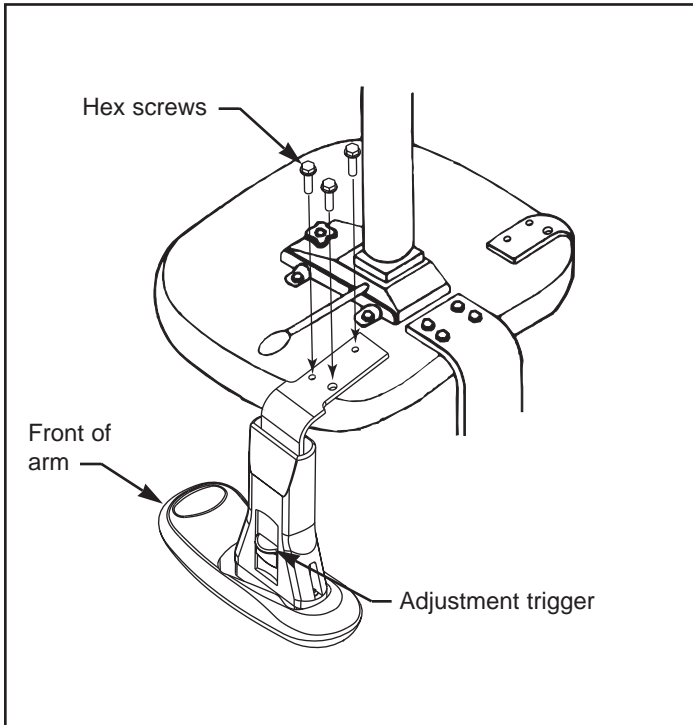


ARM ASSEMBLY

INSTALLATION INSTRUCTIONS

Illustration 1



Read all instructions and review illustrations before installing.

Tools required for assembly:
 $\frac{3}{8}$ " wrench

This assembly includes:
(1) Right-hand arm assembly
(1) Left-hand arm assembly
(6) Hex screw

IMPORTANT

Hand start all hex screws into seat. **Do not use excessive force.**

Arm Installation (refer to Illustration 1):

1. Place chair upside down on a clean work surface.

NOTE

When installing arms, ensure front of arms are facing forward and the adjustment triggers are facing away from chair seat.

2. Align holes in arm bracket with holes in seat bottom.
3. Hand start all hex screws through arm bracket and into seat bottom. Use the $\frac{3}{8}$ " wrench to fully tighten hex screw.

Arm Height Adjustment (Refer to Illustration 2):

1. While sitting in chair, lift up and hold adjustment trigger to release arm.
2. Slide arm up or down to desired position.
3. Release adjustment trigger to lock arm in place.

Arm Pivot Adjustment (Refer to Illustration 2):

1. Firmly grasp front of arm pad.
2. Twist arm pad in or out to desired position.

Illustration 2

