

## IMPORTANT CHAIR INSTRUCTIONS

After reading, store this booklet in the orange pocket (or tabs) attached to the bottom of your chair's seat.

## INSTRUCTIONS IMPORTANTES POUR LA CHAISE

Après lecture, ranger ce livret dans la pochette orange (ou sous l'attache) qui se trouve en bas du siège.

## INSTRUCCIONES IMPORTANTES SOBRE LA SILLA

Después de leer este manual, guardarlo en la bolsita naranja o lengüetas fijadas debajo del asiento.

THIS PRODUCT MAY BE COVERED BY ONE OR MORE OF THE FOLLOWING U.S. PATENTS: 393,157; 5,318,345; 5,324,096; 5,415,459; 5,419,617; 5,478,137; 5,529,373; 5,542,159; 5,542,743; 5,582,460; 5,704,691; 5,711,576; D342,839; D353,718; D357,130; D360,769; D362,558; D362,973; D362,974; D367,185; D367,981; D367,983; D368,380; D368,817; D369,687; D369,706; D370,789; D372,595; D372,596; D377,424; D383,931; D388,270; D390,384; D390,386; D393,157; AND OTHER PATENTS PENDING.

42-5600C

(7/99)

## MAINTENANCE

**Inspection** - Inspect chair, at least every six months, to make sure all knobs, bolts, and screws are tight.

**Vinyl upholstery** - Wipe with damp cloth, moistened in a mild detergent solution. For unusual stains use commercial vinyl cleaner, following manufacturer's instructions.

**Fabric upholstery** - Whisk or vacuum regularly. For unusual stains use a commercial nylon cleaner, following manufacturer's instructions.

**Other surfaces** - Wipe with a soft cloth, moistened in a mild detergent solution. Dry and buff lightly with a dry cloth.

**Lubrication** - Lubricate all moving parts at least every six months.

The serial number is on a label on the bottom of the seat. Any correspondence concerning this product should include this information.

## IMPORTANT CHAIR INSTRUCTIONS

### WARNING

FAILURE TO FOLLOW THESE WARNINGS AND INSTRUCTIONS CAN RESULT IN SERIOUS INJURY.

- Read all instructions fully before assembly or use.
- After reading, return this booklet to the orange warning pocket (or tabs) attached to the bottom of the seat.
- If chair is not operating properly, or parts are loose, missing, or broken, stop use of chair immediately.
- Chair fabric will burn. Exercise care when near open flame or with burning cigarettes.

## CHAIR ADJUSTMENTS

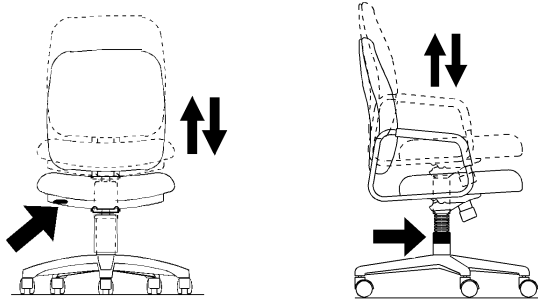
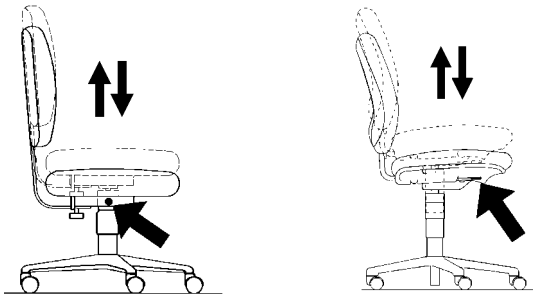
This instruction booklet covers a variety of chair styles. Your chair may have all, some, or none of the following adjustment.

### Adjustment Instructions:

Refer to the following illustrations to locate the desired adjustment (seat height, seat depth, etc.) and control knob/lever. Adjust chair as desired.

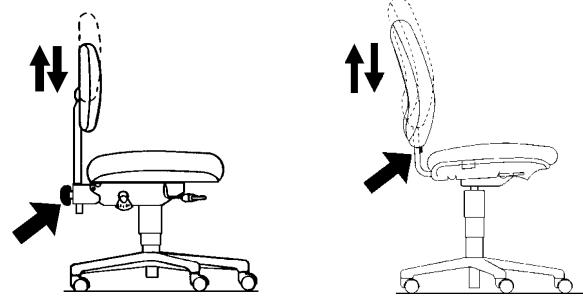
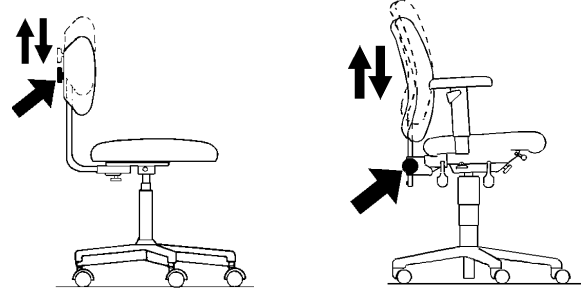
## CHAIR ADJUSTMENTS

### Seat height



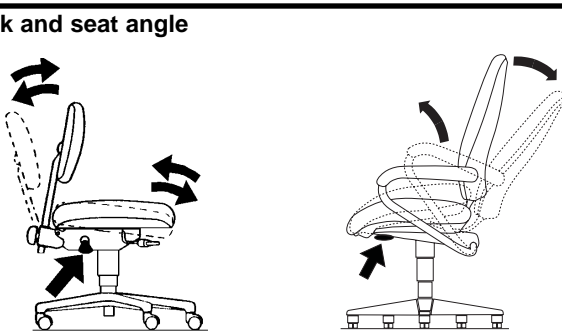
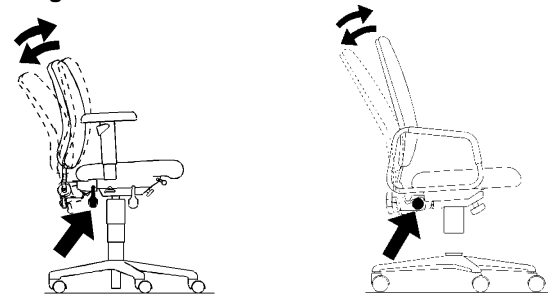
## CHAIR ADJUSTMENTS

### Back height



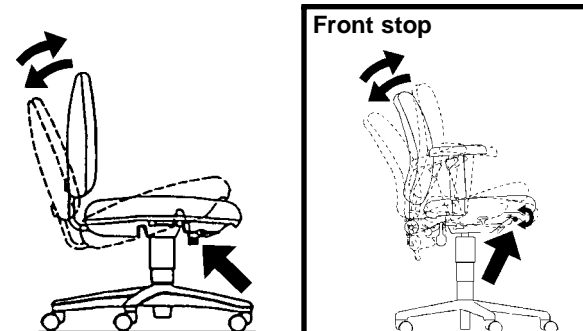
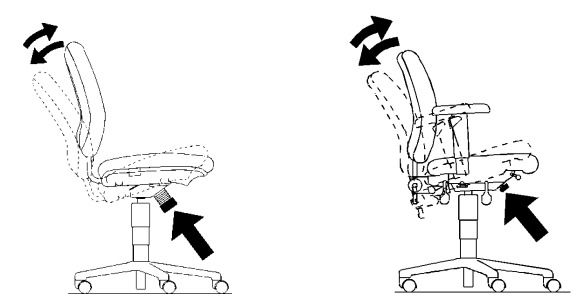
## CHAIR ADJUSTMENTS

### Back angle

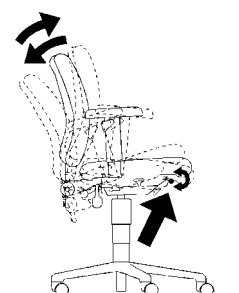


## CHAIR ADJUSTMENTS

### Tilt tension

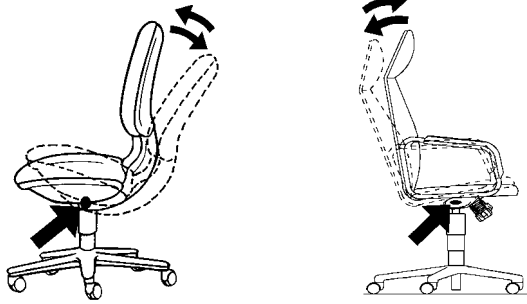
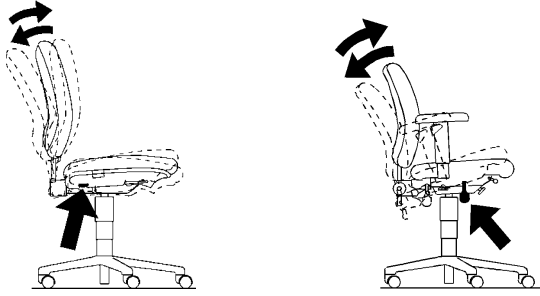


### Front stop



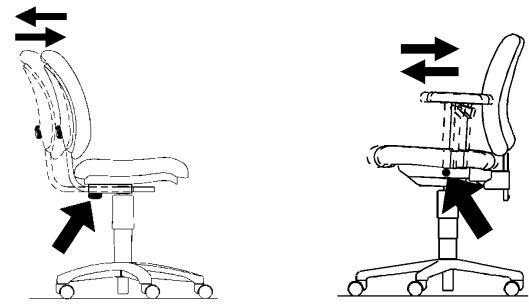
## CHAIR ADJUSTMENTS

### Tilt lock

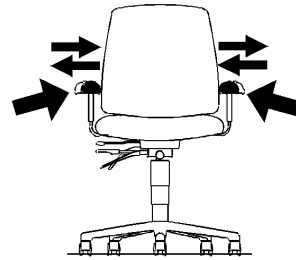


## CHAIR ADJUSTMENTS

### Seat depth



### Arm height



### Arm width

