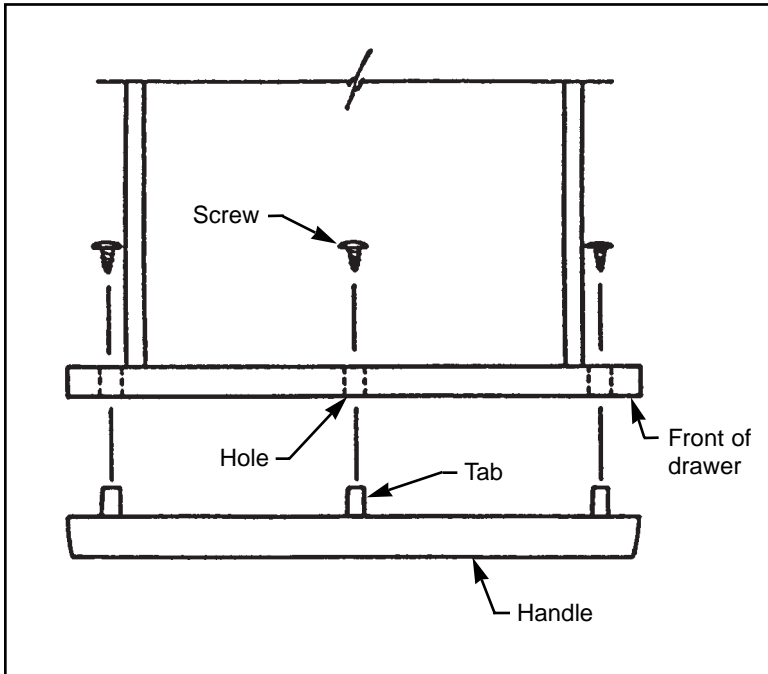


HANDLE ASSEMBLY

Illustration 1



Read all instructions and review illustrations before installing.

Tools required for assembly:
Phillips Screwdriver

WARNING

Sharp edges may cause injury. Take care when handling metal parts.

Installation (refer to Illustration 1):

1. Open drawer completely.
2. Locate holes along top edge of drawer front.
3. Insert tabs, on rear of handle (from hardware pack), into holes on drawer front.
4. Use the Phillips screwdriver to install a screw (from hardware pack) through the center hole, from rear side of drawer front, and into handle tab. **Tighten screw slowly and do not over-tighten screw.**
5. Use the Phillips screwdriver to install screws into the two remaining holes. **Tighten screws slowly and do not over-tighten screws.**
6. Close drawer.
7. Repeat this procedure for remaining drawers.

INSTALLATION INSTRUCTIONS