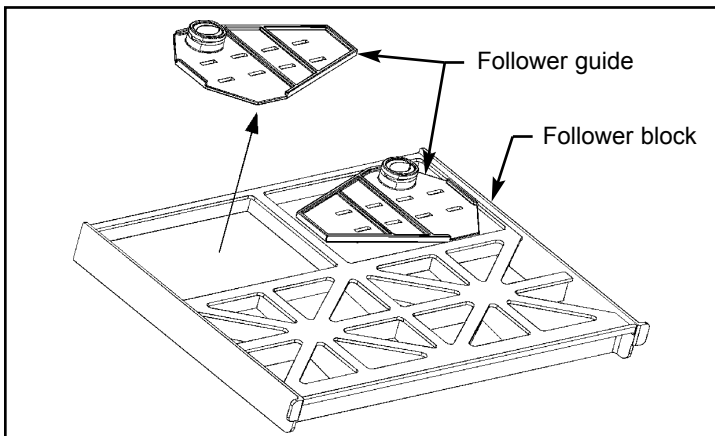


FOLLOWER BLOCK ASSEMBLY

INSTALLATION INSTRUCTIONS

Illustration 1



Read all instructions and review illustrations before installing.

Tools required for assembly:
None

This assembly includes:
(2) Follower guides
(1) Follower block

⚠ WARNING

Sharp edges may cause injury. Take care when handling parts.

Installation:

1. Refer to Illustration 1. Separate follower guides from follower block assembly.
2. On follower block, hold side marked "FRONT" toward you.
3. Refer to Illustration 2. Insert left side of follower block into tracks of follower guide marked "LEFT FRONT." Ensure arrow on follower guide points toward you and follower guide is fully seated on follower block.
4. Refer to Illustration 2. Insert right side of follower block into tracks of follower guide marked "RIGHT FRONT." Ensure arrow on follower guide points toward you and follower guide is fully seated on follower block.
5. Refer to Illustration 3. With the left follower guide angled forward, toward front of drawer, insert follower block assembly into drawer. Ensure the side marked "FRONT" faces the front of drawer.
6. Refer to Illustration 3. Align left follower guide cam with left drawer cam track and pivot right side of follower block assembly forward until right follower guide cam is inserted into right drawer cam track.

Illustration 2

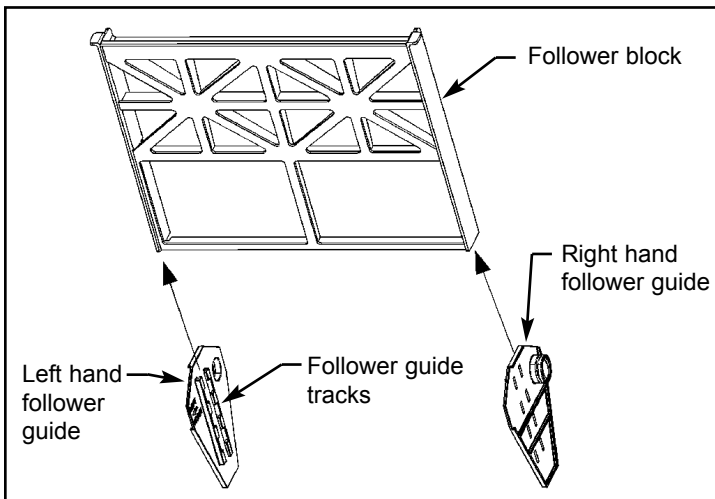
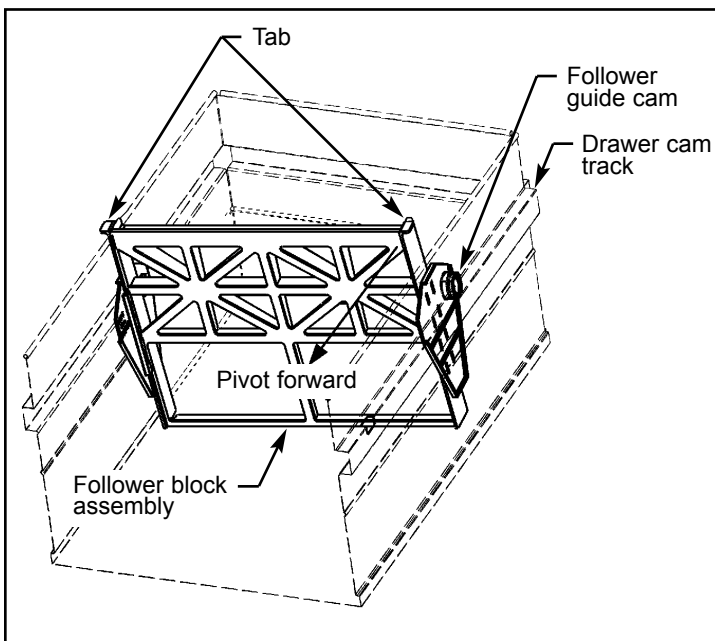


Illustration 3

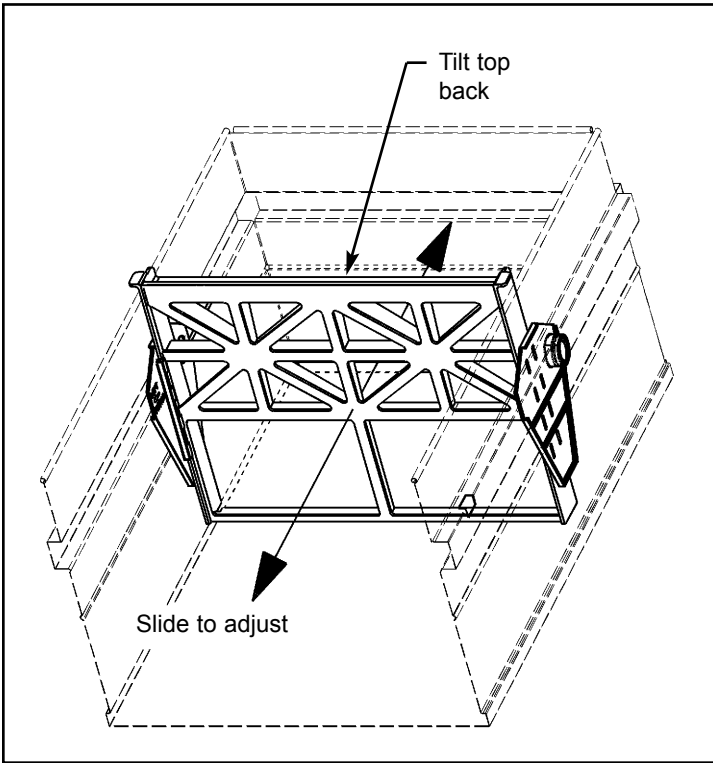


NOTE

For proper operation of follower block assembly, ensure follower block tabs sit on top edge of drawer sides.

FOLLOWER BLOCK ASSEMBLY

Illustration 4



Adjustment (refer to Illustration 4):

1. Tilt follower block top toward rear of drawer.
2. Slide follower block assembly to the desired position.
3. Tilt top of follower block forward to lock follower block assembly in place.

ADJUSTMENT INSTRUCTIONS