

MOBILE PEDESTAL

INSTALLATION INSTRUCTIONS

Illustration 1

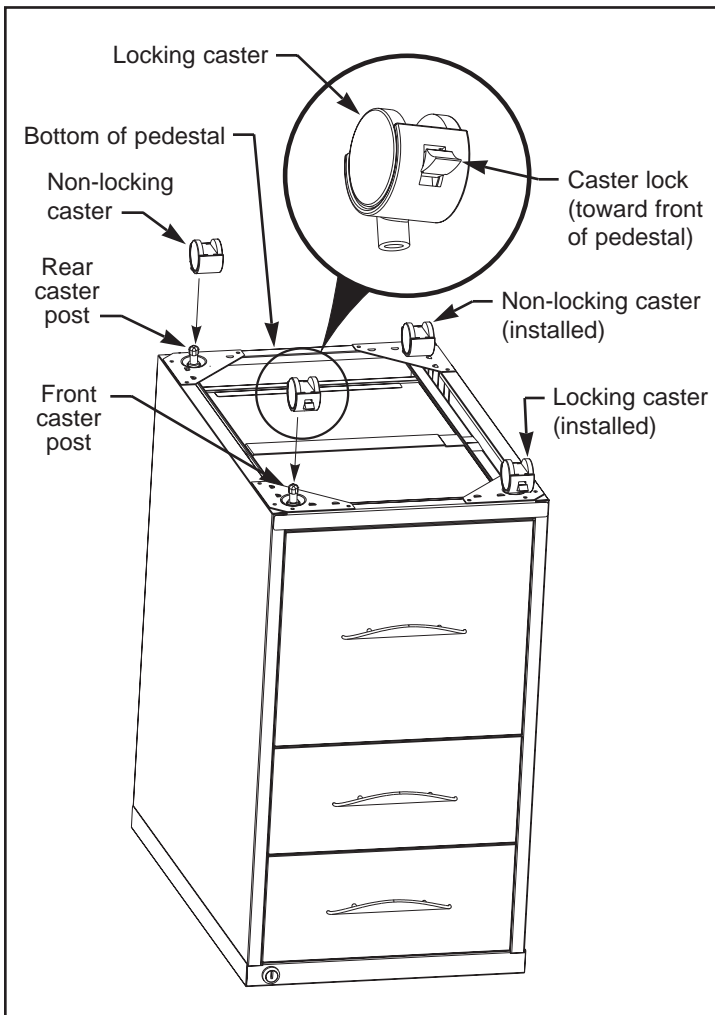
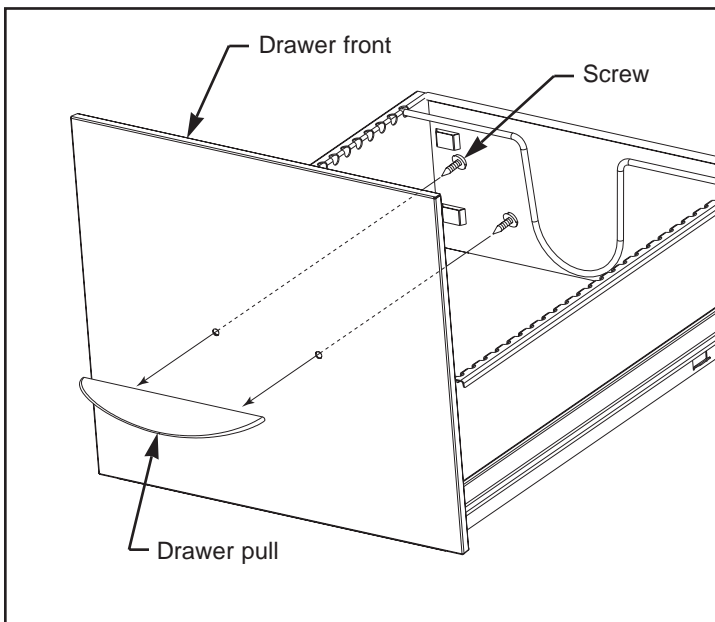


Illustration 2



Read all instructions and review illustrations before installing.

Tools required for assembly:
Phillips screwdriver

This assembly includes:
(2) Locking caster
(2) Non-locking caster
(1 per drawer) Drawer pull
(2 per drawer) Screw
(1 per drawer) Wire divider

⚠ WARNING

Sharp edges may cause injury. Take care when handling metal parts.

Caster Installation (refer to Illustration 1):

1. Unlock pedestal. Remove hardware packs from inside pedestal drawer. Relock pedestal.
2. Set pedestal upside down on a piece of cardboard or a carpeted surface (this is to prevent pedestal finish from being scratched).
3. Locate caster posts at each corner of pedestal bottom.
4. Install a locking caster (from hardware pack) onto each front caster post as shown. Install locking casters so that caster lock faces toward front of pedestal.

IMPORTANT

The front locking casters do not swivel. Ensure caster lock faces toward front of pedestal when installing front locking casters. **Do not** swivel front locking casters after assembly. Swiveling front locking casters after assembly will damage front locking casters.

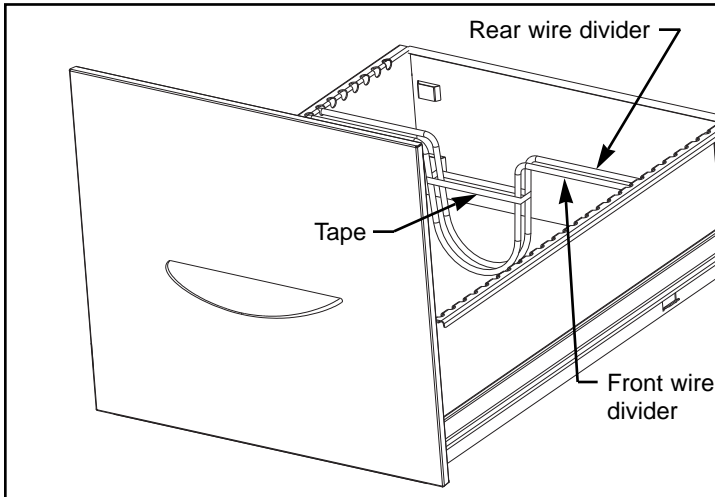
5. Install a non-locking caster (from hardware pack) onto each rear caster post as shown.
6. Press down firmly on casters to ensure casters are fully seated onto caster posts.
7. Set pedestal upright.

Drawer Pull Installation (refer to Illustration 2):

1. Open drawer completely.
2. Align screw holes on rear of drawer pull (from hardware pack) with holes in front of drawer.
3. Use the Phillips screwdriver to install two screws (from hardware pack) through the rear of drawer front and into screw holes in drawer pull. Fully tighten screws.

MOBILE PEDESTAL

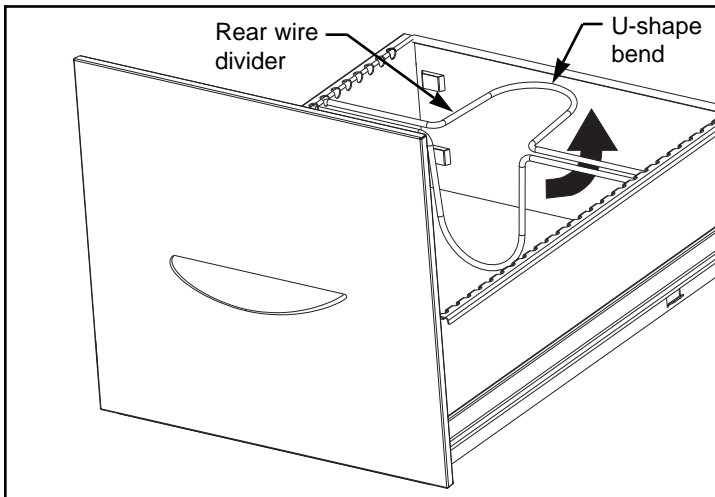
Illustration 3



Wire Divider Installation:

1. Locate wire dividers secured in one of the pedestal drawers. Completely open drawer.
2. Refer to Illustration 3. Remove tape securing wire dividers.
3. Refer to Illustration 4. Pivot U-shape bend of rear wire divider upward, toward rear of drawer, and hold.
4. Refer to Illustration 5. Squeeze sides of U-shape bend and lift rear wire divider upward until wire divider tabs come free of locating holes in sides of drawer.
5. Install removed wire divider into a drawer without a wire divider. Turn wire divider around so that divider tabs face the rear of drawer. Reverse Steps 3 and 4 to reinstall wire divider.

Illustration 4



Wire Divider Adjustment:

1. Pivot U-shape bend of wire divider upward, toward front of drawer, and hold.
2. Squeeze sides of U-shape bend and lift wire divider upward until wire divider tabs come free of locating holes in sides of drawer.
3. Reverse Steps 1 and 2 to reinstall wire divider at the desired location.

Illustration 5

