

# 105 MODULAR DESK

# INSTALLATION INSTRUCTIONS

Illustration 1

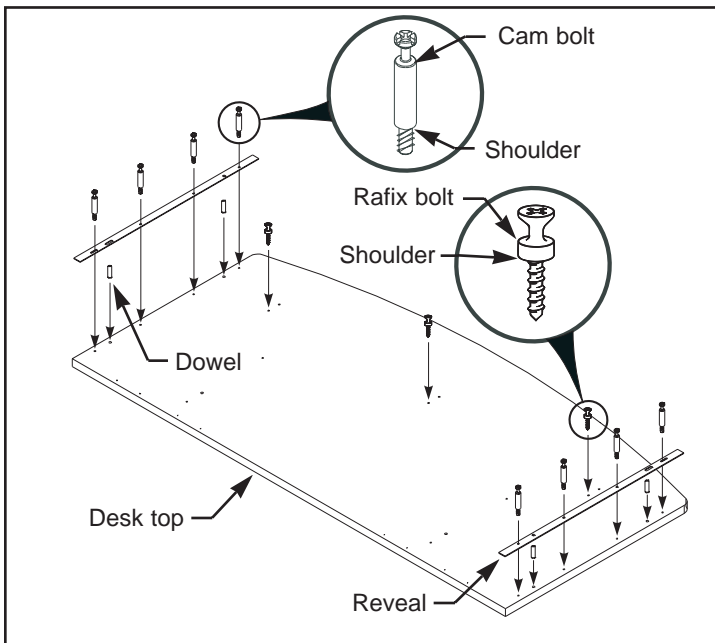
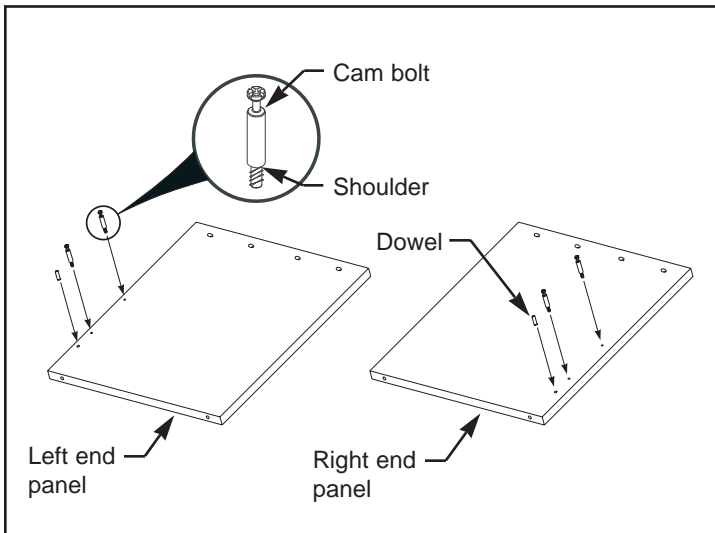


Illustration 2



Read all instructions and review illustrations before installing.

Tools required for assembly:	
Phillips screwdriver	Rubber mallet
Safety glasses	Level

This assembly includes:	
(1) Desk top	(1) Right end panel
(1) Skirt	(1) Left end panel
(12) Cam Bolt	(12) Cam connector
(3) Rafx bolt	(3) Rafx connector
(4) Glide	(4) Glide insert
(6) Dowel	(2) Reveal

## WARNING

Wood products are heavier than they appear and may be hard to control when moving. Use two or more people when moving wood products or severe personal injury may result.

Heavy panels can pinch or crush fingers. Do not place fingers between or under panels during assembly.

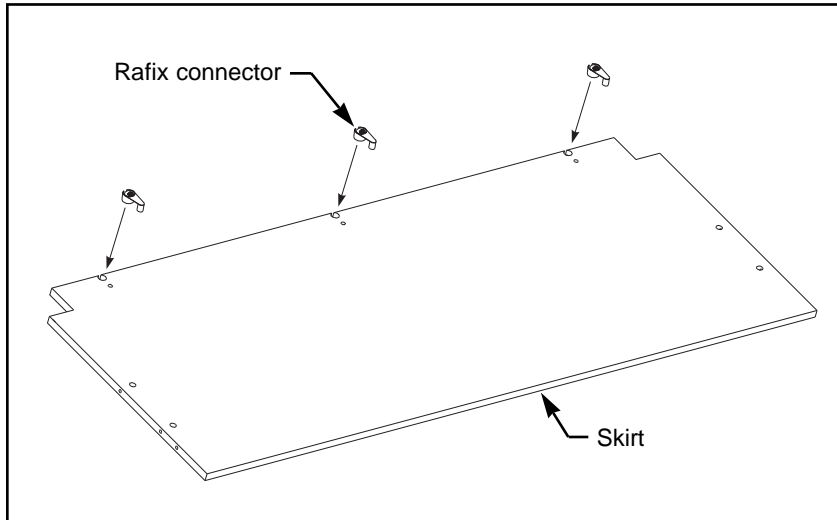
To prevent the possibility of serious eye injury, always wear eye protection when using power tools.

### Installation:

1. Refer to Illustration 1. Lay desk top upside down on cardboard or a carpeted surface.
2. Refer to Illustration 1. Use the rubber mallet to install four dowels (from hardware pack) into desk top as shown.
3. Refer to Illustration 1. Place reveals over dowels.
4. Refer to Illustration 1. Use the Phillips screwdriver to install four cam bolts (from hardware pack) through each reveal and into desk top. Tighten cam bolts until cam bolt shoulder is flush against surface of reveal.
5. Refer to Illustration 1. Use the Phillips screwdriver to install three rafx bolts (from hardware pack) into desk top as shown. Tighten rafx bolts until rafx bolt shoulder is flush against surface of desk top.
6. Refer to Illustration 2. Lay end panels, with holes up, on cardboard or a carpeted surface.
7. Refer to Illustration 2. Use the rubber mallet to install a dowel (from hardware pack) into each end panel as shown.
8. Refer to Illustration 2. Use the Phillips screwdriver to install two cam bolts (from hardware pack) into cam bolt holes on each end panel. Tighten cam bolts until cam bolt shoulder is flush against surface of end panel.

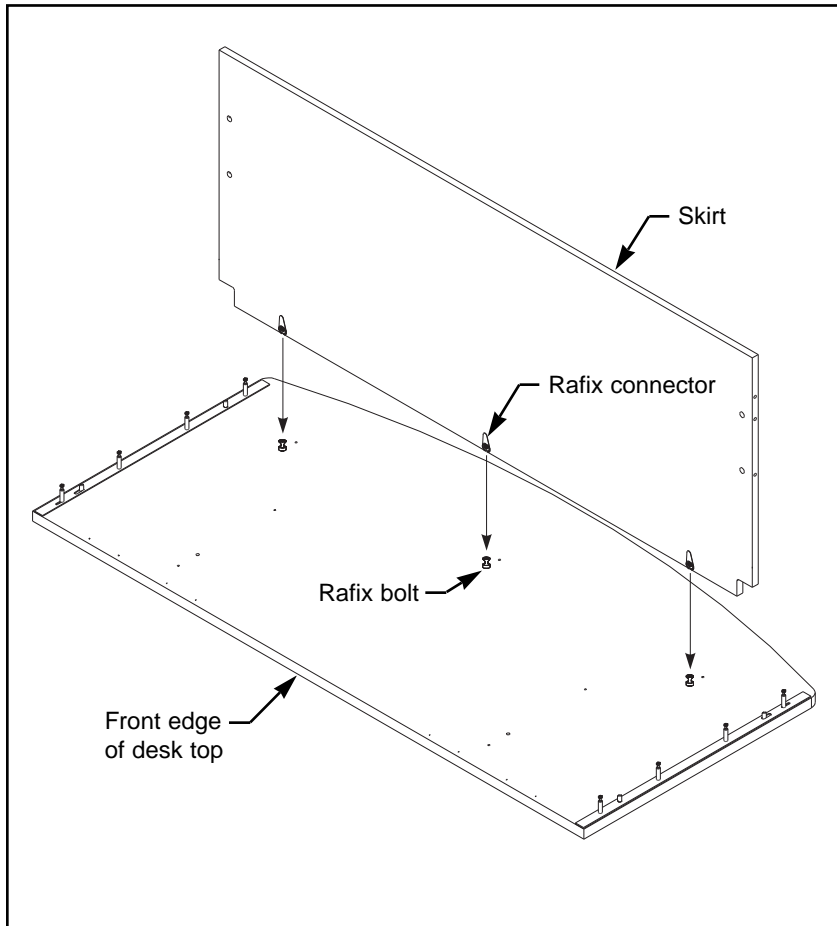
# 105 MODULAR DESK

Illustration 3



9. Refer to Illustration 3. Lay skirt, with holes up, on cardboard or a carpeted surface.
10. Refer to Illustration 3. install three rafx connectors (from hardware pack) into holes along top edge of skirt. Use the rubber mallet to tap rafx connectors into place.

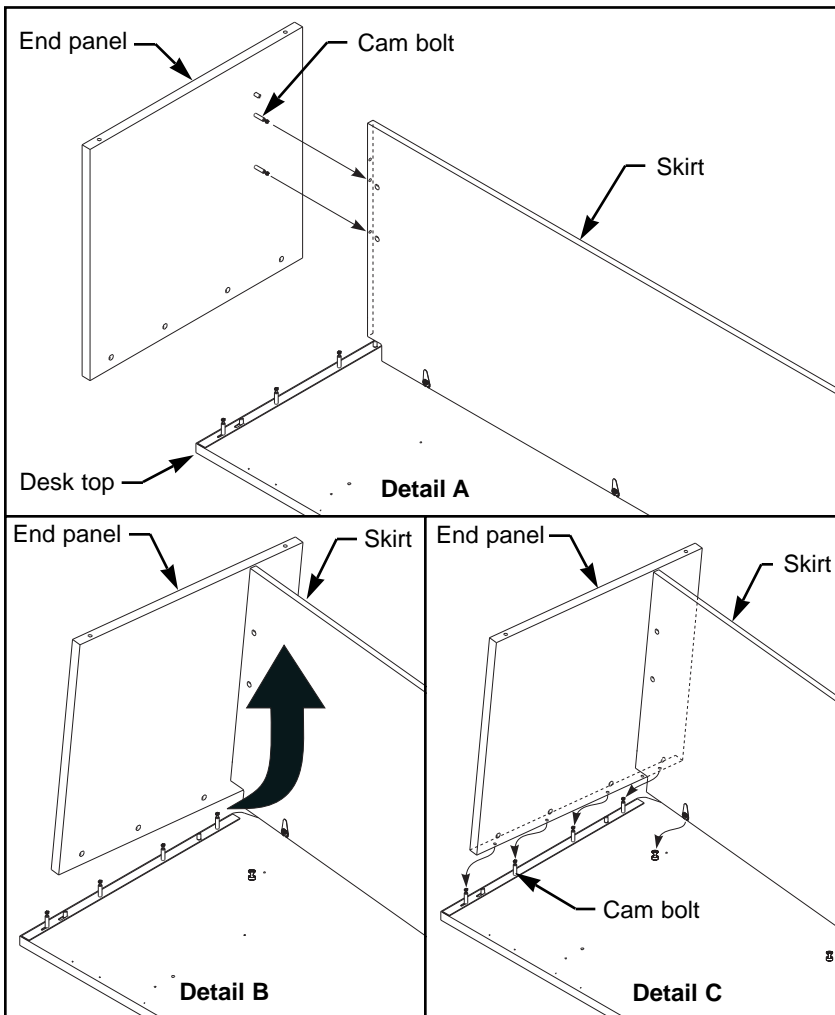
Illustration 4



11. Refer to Illustration 4. With rafx connectors facing front edge of desk top, place skirt onto top as shown. Insert rafx connectors in desk top into rafx connectors in skirt. **Do not** tighten rafx connectors at this time. Have a partner help to support skirt until completion of the next four steps.

# 105 MODULAR DESK

Illustration 5



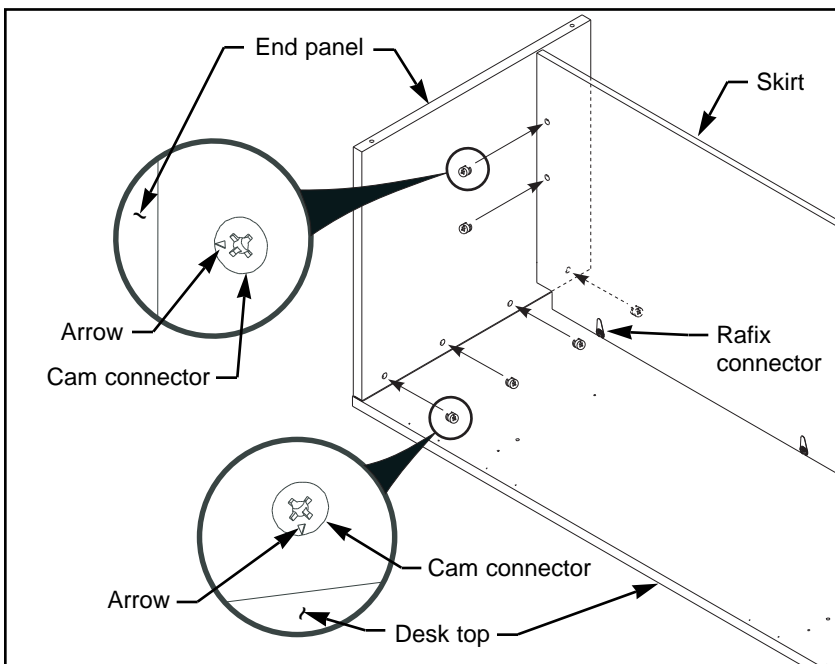
12. Refer to Illustration 5, Detail A. Install end panel by inserting ends of cam bolts, attached to end panel, into holes drilled into side of skirt. Insert cam bolts as far as possible.

13. Refer to Illustration 5, Detail B. Lift upward on end panel until top edge of end panel is above cam bolts in desk top. (Note: when lifting on end panel the skirt will separate from desk top.)

14. Refer to Illustration 5, Detail C. Align holes top of end panel over cam bolts in desk top and lower end panel, inserting cam bolts in desk top into holes drilled into top of end panel. Press down firmly on end panel.

15. Repeat this procedure for remaining end panel.

Illustration 6



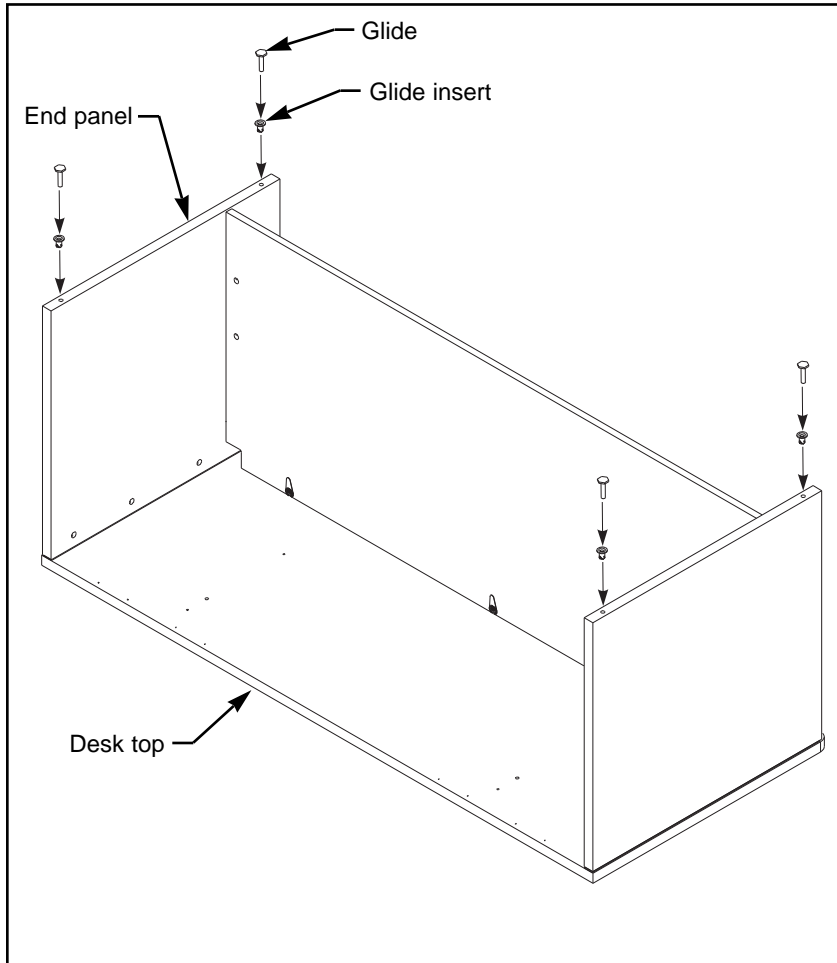
16. Refer to Illustration 6. With the arrows facing the desk top, install four cam connectors (from hardware pack) into holes along top edge of each end panel. Use the Phillips screwdriver to tighten cam connectors. Turn cam connectors clockwise to tighten.

17. Refer to Illustration 6. With the arrows facing each end panel, install a cam connector (from hardware pack) into two holes along each side of skirt. Use the Phillips screwdriver to tighten cam connectors. Turn cam connectors clockwise to tighten.

18. Use the Phillips screwdriver to tighten rafx connectors installed onto skirt. Turn rafx connectors clockwise to tighten.

# 105 MODULAR DESK

Illustration 7



19. Refer to Illustration 7. Locate two holes in bottom edge of each end panel. Use the rubber mallet to install glide inserts (from hardware pack) into each hole.
20. Refer to Illustration 7. Thread a glide (from hardware pack) into each glide insert by turning glide clockwise until glide is flat against end panel.
21. After glides are fully installed, use two or more people to set desk upright and to position desk where it will be used.
22. Adjust glides to level desk side-to-side and front-to-rear.