

EXTENDED CORNER UNIT

INSTALLATION INSTRUCTIONS

Illustration 1

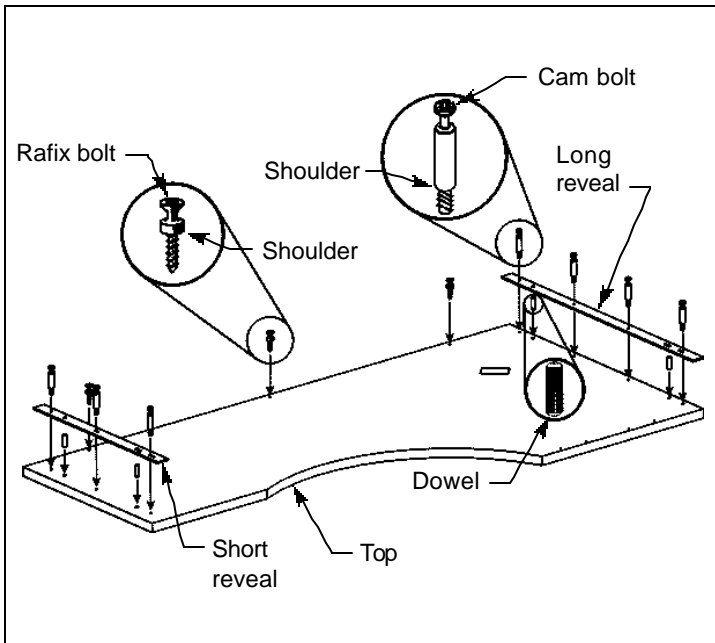
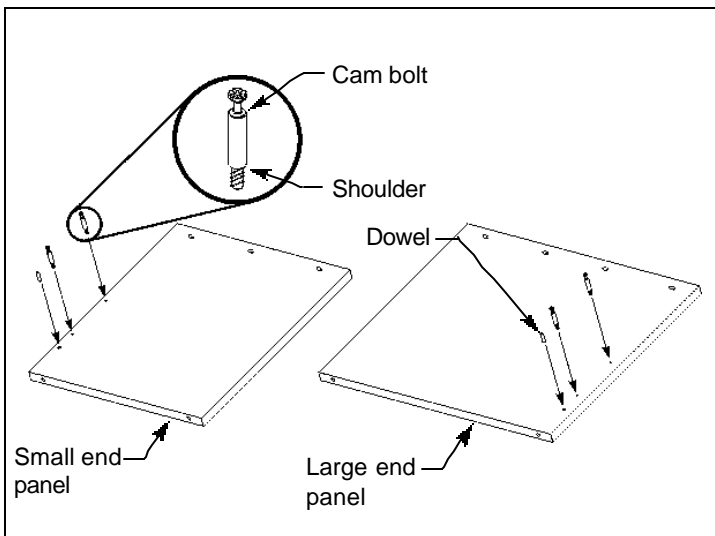


Illustration 2



Read all instructions and review illustrations before installing.

Tools required for assembly:

Rubber mallet	Phillips screwdriver
Level	1/4" Hex head screwdriver

This assembly includes:

(1) Top	(1) Large end panel
(1) Skirt	(1) Small end panel
(11) Cam Bolt	(11) Cam connector
(3) Rafx bolt	(3) Rafx connector
(4) Glide	(4) Glide insert
(6) Dowel	(1) Long reveal
(1) Short reveal	(4) Screw

⚠ WARNING

Wood products are heavier than they appear and may be hard to control when moving. Use two or more people when moving wood products or severe personal injury may result.

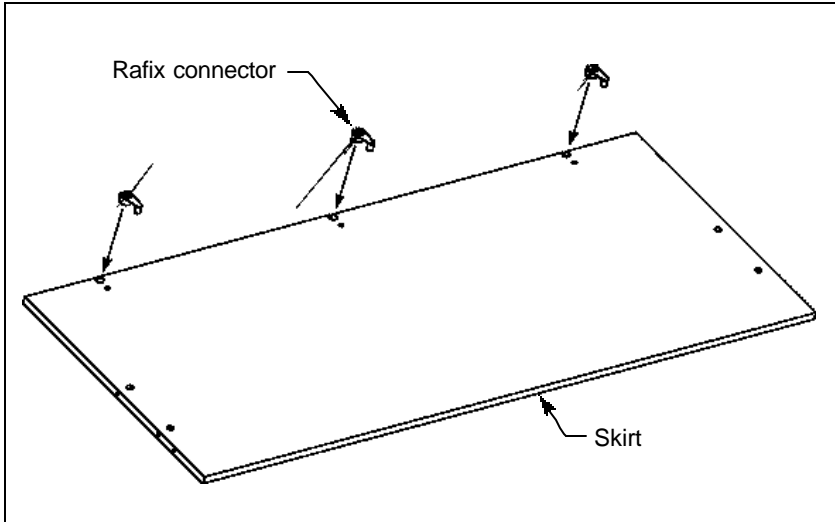
Heavy panels can pinch or crush fingers. Do not place fingers between or under panels during assembly.

Installation:

1. Refer to Illustration 1. Lay top upside down on cardboard or a carpeted surface.
2. Refer to Illustration 1. Use the rubber mallet to install four dowels (from hardware pack) into top as shown.
3. Refer to Illustration 1. Place reveals over dowels. Place long reveal onto the longer side of the top and place the short reveal onto the shorter side of top.
4. Refer to Illustration 1. Use the Phillips screwdriver to install three cam bolts (from hardware pack) through each reveal and into top. Tighten cam bolts until cam bolt shoulder is flush against surface of reveal.
5. Refer to Illustration 1. Use the Phillips screwdriver to install three rafx bolts (from hardware pack) into top as shown. Tighten rafx bolts until rafx bolt shoulder is flush against surface of top.
6. Refer to Illustration 2. Lay end panels, with holes up, on cardboard or a carpeted surface.
7. Refer to Illustration 2. Use the rubber mallet to install a dowel (from hardware pack) into each end panel as shown.
8. Refer to Illustration 2. Use the Phillips screwdriver to install two cam bolts (from hardware pack) into cam bolt holes on each end panel. Tighten cam bolts until cam bolt shoulder is flush against surface of end panel.

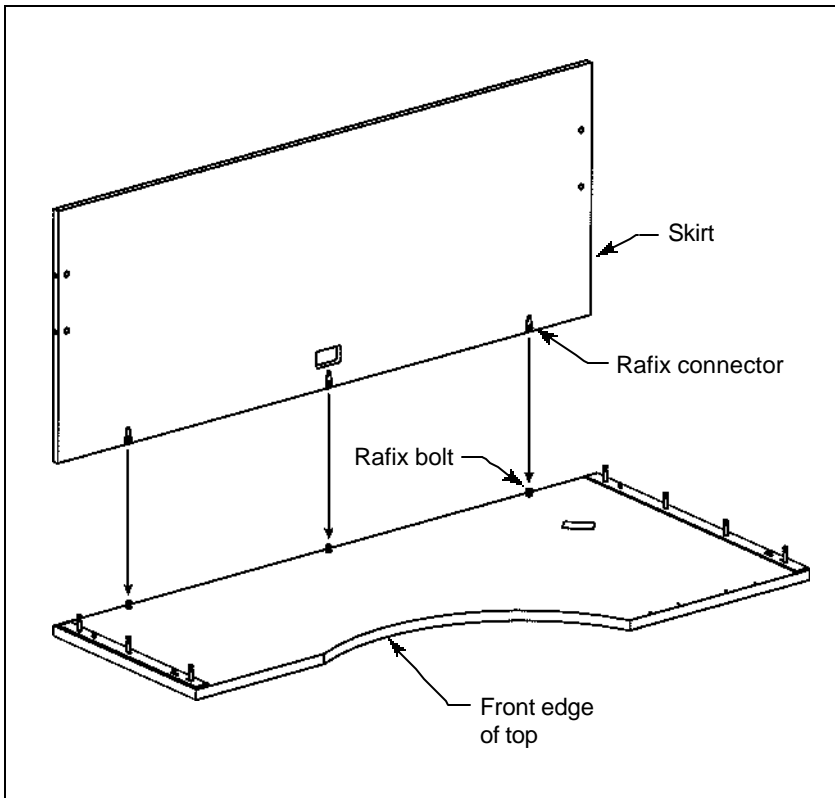
EXTENDED CORNER UNIT

Illustration 3



9. Refer to Illustration 3. Lay skirt, with holes up, on cardboard or a carpeted surface.
10. Refer to Illustration 3. install three rafx connectors (from hardware pack) into holes along top edge of skirt. Use the rubber mallet to tap rafx connectors into place.

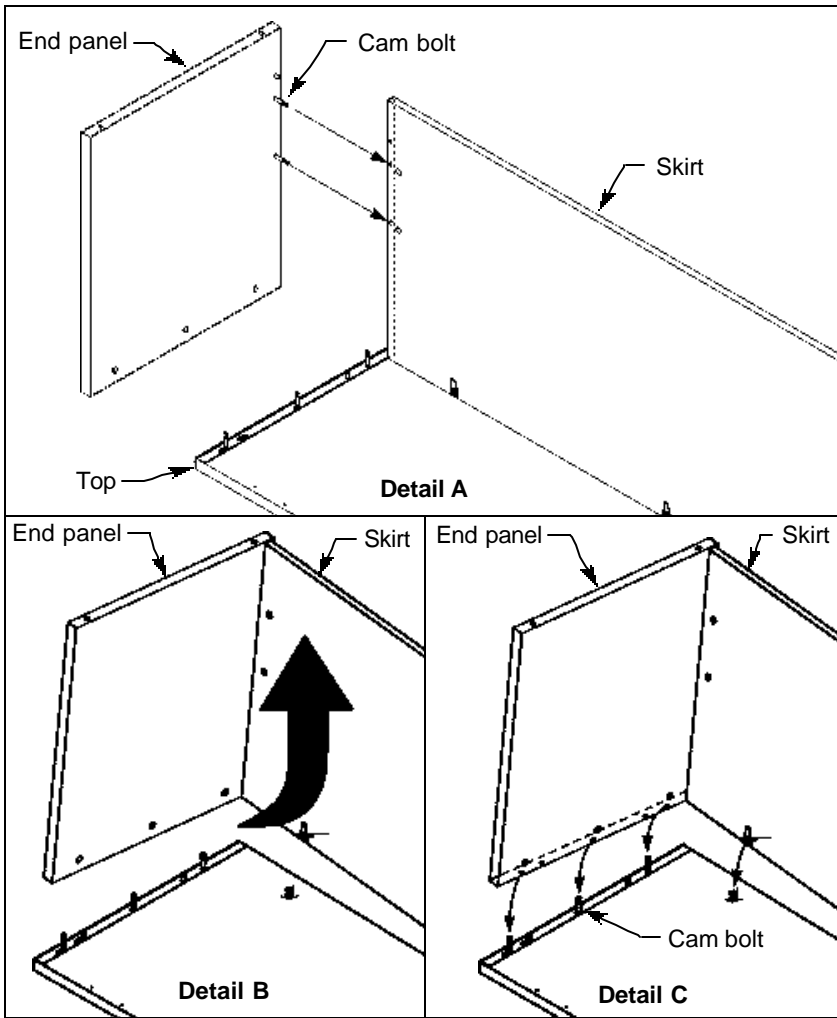
Illustration 4



11. Refer to Illustration 4. With rafx connectors facing front edge of top, place skirt onto top as shown. Insert rafx bolts in top into rafx connectors in skirt. **Do not** tighten rafx connectors at this time. Have a partner help to support skirt until completion of the next four steps.

EXTENDED CORNER UNIT

Illustration 5



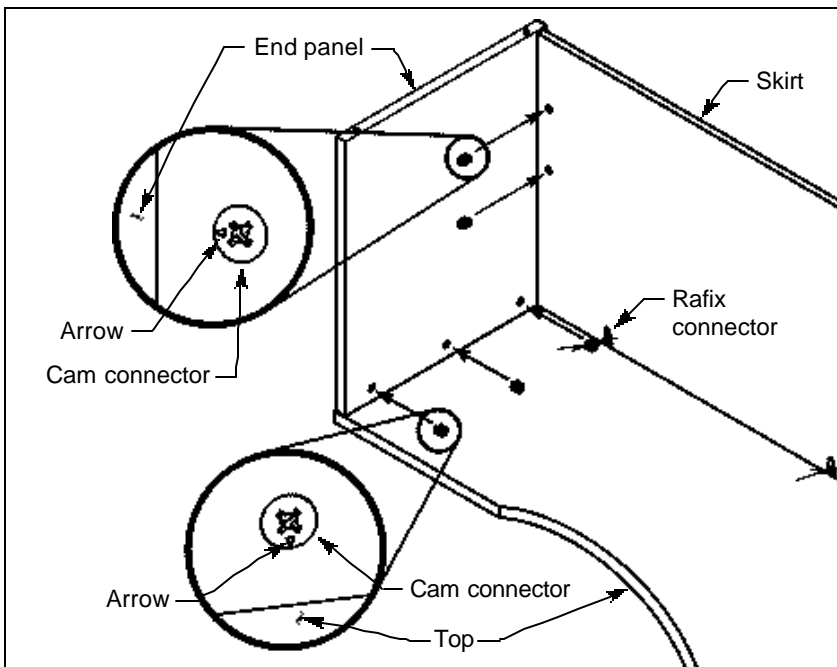
12. Refer to Illustration 5, Detail A. Install end panel by inserting ends of cam bolts, attached to end panel, into holes drilled into side of skirt. Insert cam bolts as far as possible.

13. Refer to Illustration 5, Detail B. Lift upward on end panel until top edge of end panel is above cam bolts in top. (Note: when lifting on end panel the skirt will separate from the top.)

14. Refer to Illustration 5, Detail C. Align holes drilled into top edge of end panel over cam bolts in top and lower end panel, inserting cam bolts in top into holes drilled into top of end panel. Press down firmly on end panel.

15. Repeat this procedure for remaining end panel.

Illustration 6



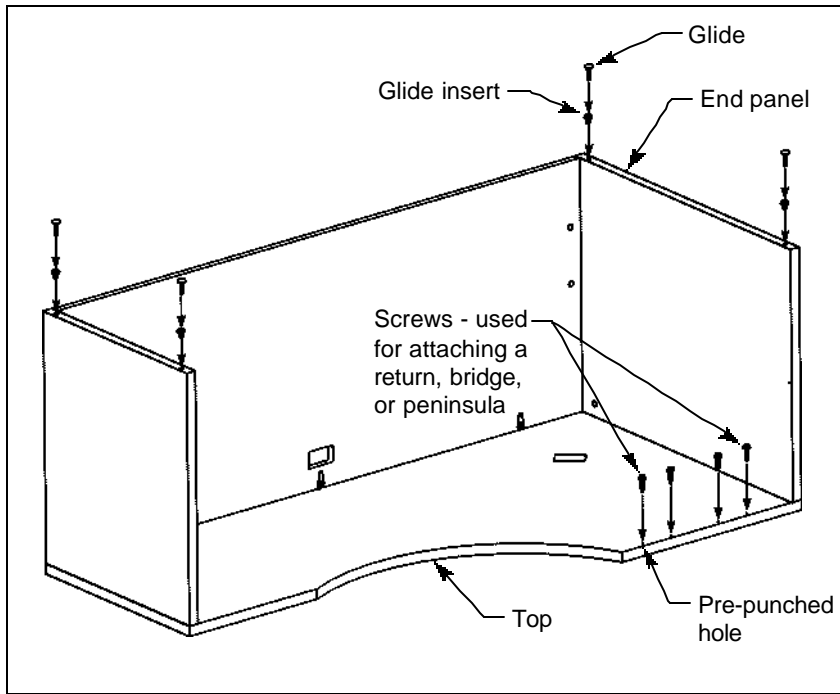
16. Refer to Illustration 6. With the arrows facing the top, install a cam connector (from hardware pack) into each hole along top edge of each end panel. Use the Phillips screwdriver to tighten cam connectors. Turn cam connectors clockwise to tighten.

17. Refer to Illustration 6. With the arrows facing each end panel, install a cam connector (from hardware pack) into two holes along each side of skirt. Use the Phillips screwdriver to tighten cam connectors. Turn cam connectors clockwise to tighten.

18. Use the Phillips screwdriver to tighten rafx connectors installed onto skirt. Turn rafx connectors clockwise to tighten.

EXTENDED CORNER UNIT

Illustration 7



19. Refer to Illustration 7. Locate two holes in bottom edge of each end panel. Use the rubber mallet to install glide inserts (from hardware pack) into each hole.

20. Refer to Illustration 7. Thread a glide (from hardware pack) into each glide insert by turning glide clockwise until glide is flat against end panel.

NOTE

The four $\frac{1}{4}$ " hex head screws (from hardware pack) are used for attaching a return, bridge, or peninsula to this unit. If not attaching a return, bridge, or peninsula at this time, use the $\frac{1}{4}$ " hex head screwdriver to install screws into the four pre-punched holes along the front edge of the top as shown (refer to Illustration 7).

21. After glides are fully installed, use two or more people to set extended corner unit upright and to position corner unit where it will be used.

22. Adjust glides to level extended corner unit side-to-side and front-to-rear.