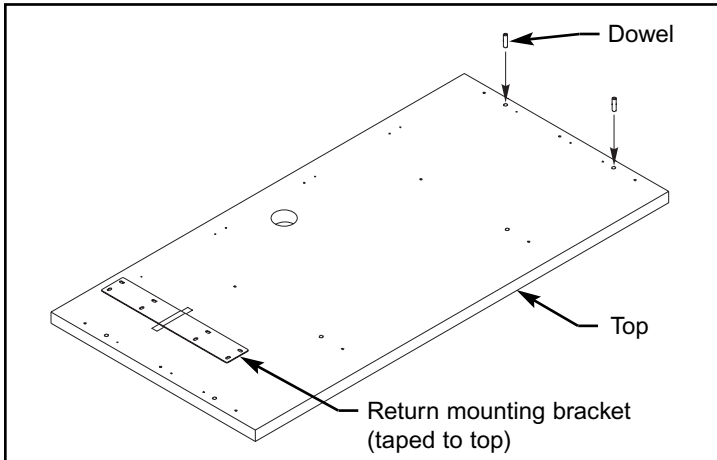


105 MODULAR RETURN

INSTALLATION INSTRUCTIONS

Illustration 1

Left Hand Return



Read all instructions and review illustrations before installing.

Tools required for assembly:

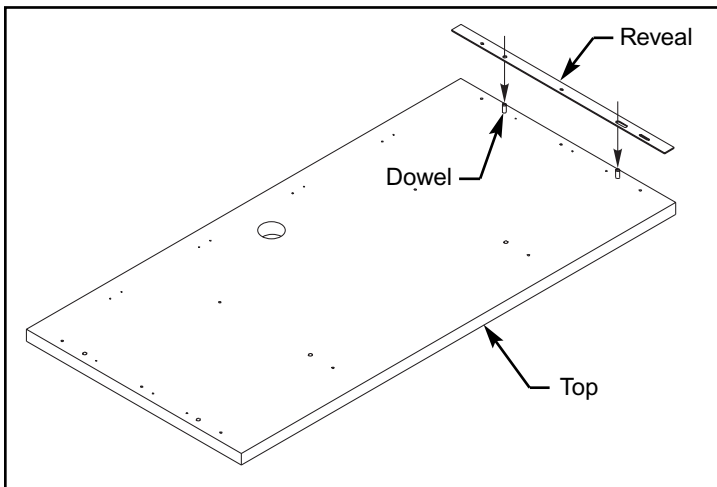
1/4" power nutdriver	Drill
Phillips screwdriver	Safety glasses
Rubber mallet	

This assembly includes:

(6) Cam bolt	(1) Top
(6) Cam connectors	(1) Skirt
(2) Corner bracket	(1) End panel
(6) 1/2" long screw	(1) Reveal
(12) 7/8" long screw	(4) Dowel
(1) 1 1/2" long screw	(2) Glide insert
(1) Mounting bracket	(2) Glide
(1) Connecting bracket	

Illustration 2

Left Hand Return



⚠ WARNING

If used alone, or improperly installed, this return can tip and fall resulting in severe personal injury or property damage. Do not use return alone. Use return with a desk to form an "L" shaped arrangement.

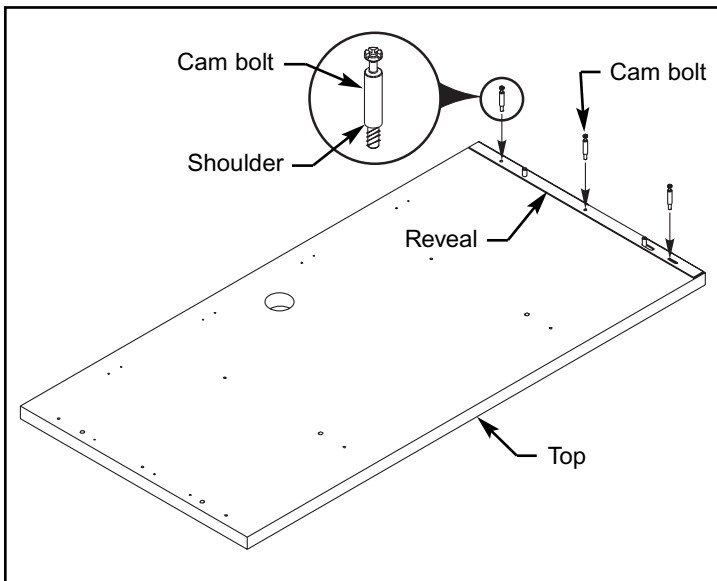
Wood products are heavier than they appear and may be hard to control when moving. Use two or more people when moving wood products or severe personal injury may result.

Heavy panels can pinch or crush fingers. Do not place fingers between or under panels during assembly.

To prevent the possibility of serious eye injury, always wear eye protection when using power tools.

Illustration 3

Left Hand Return



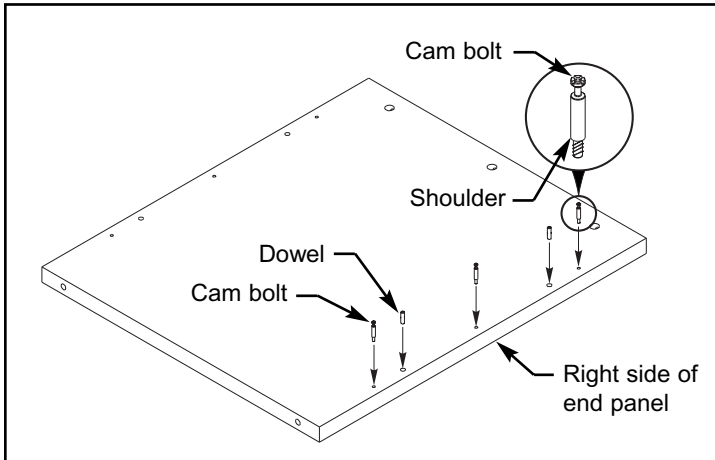
Left Hand Return Assembly Instructions (refer to Illustration 10 for Right Hand Return Assembly Instructions):

1. Refer to Illustration 1. Lay return top upside down on cardboard or a carpeted surface.
2. Refer to Illustration 1. Remove tape securing return mounting bracket to return top. Save return mounting bracket for later use.
3. Refer to Illustration 1. Use the rubber mallet to install two dowels (from hardware pack) into return top.
4. Refer to Illustration 2. Place reveal over dowels as shown.
5. Refer to Illustration 3. Use the Phillips screwdriver to install three cam bolts (from hardware pack) through reveal and into return top. Tighten cam bolts until cam bolt shoulder is flush against surface of reveal.

105 MODULAR RETURN

Illustration 4

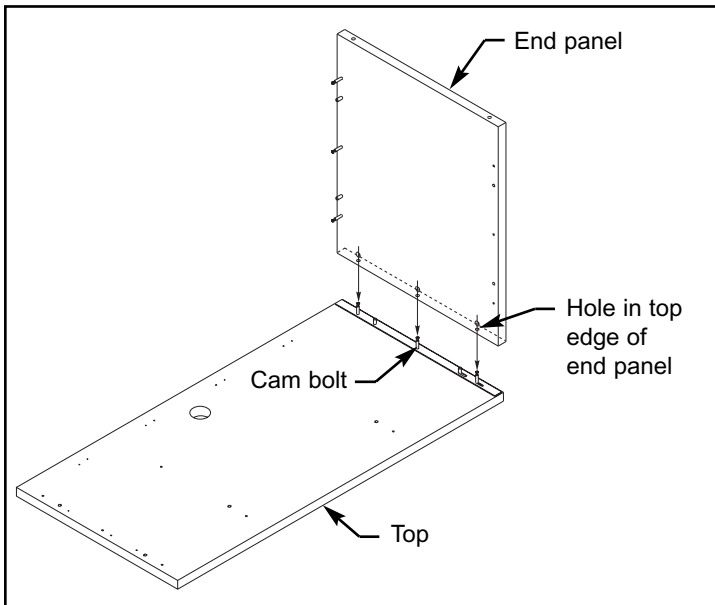
Left Hand Return



6. Refer to Illustration 4. Lay return end panel, with holes up, on cardboard or a carpeted surface.
7. Refer to Illustration 4. Use the rubber mallet to install two dowels (from hardware pack) into dowel holes on the right side of return end panel.
8. Refer to Illustration 4. Use the Phillips screwdriver to install three cam bolts (from hardware pack) into cam bolt holes on the right side of return end panel. Tighten cam bolts until cam bolt shoulder is flush against surface of end panel.

Illustration 5

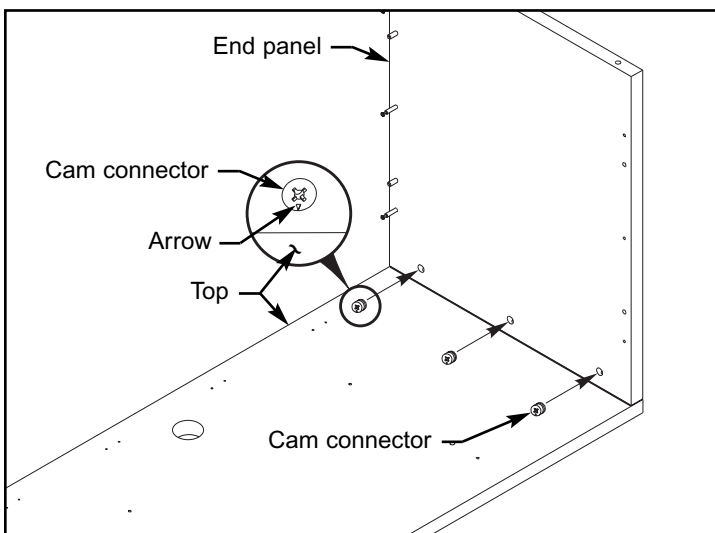
Left Hand Return



9. Refer to Illustration 5. Place end panel onto return top as shown. Insert cam bolts, attached to return top, into holes drilled into top edge of end panel.

Illustration 6

Left Hand Return

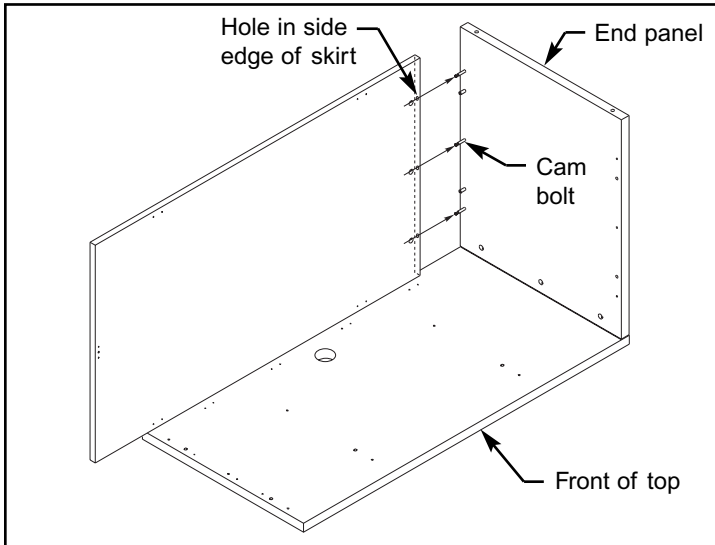


10. Refer to Illustration 6. With the arrows facing the return top, install three cam connectors (from hardware pack) into end panel. Use the Phillips screwdriver to tighten cam connectors. Turn cam connectors clockwise to tighten.

105 MODULAR RETURN

Illustration 7

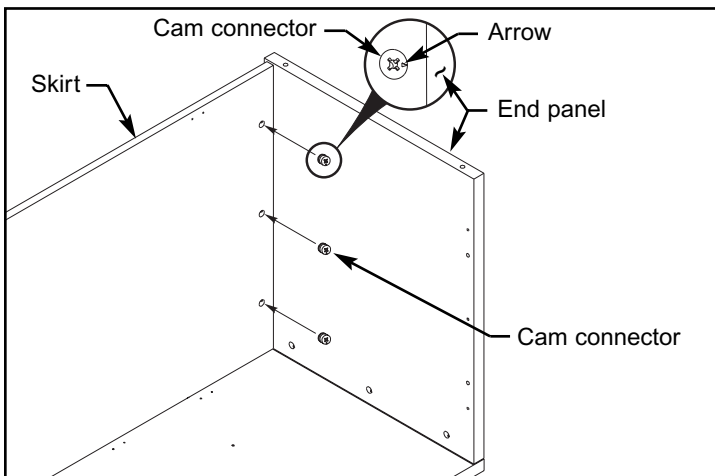
Left Hand Return



11. Refer to Illustration 7. With holes facing front edge of return top, place skirt onto return top as shown. Insert cam bolts, attached to end panel, into holes drilled into side edge of skirt.

Illustration 8

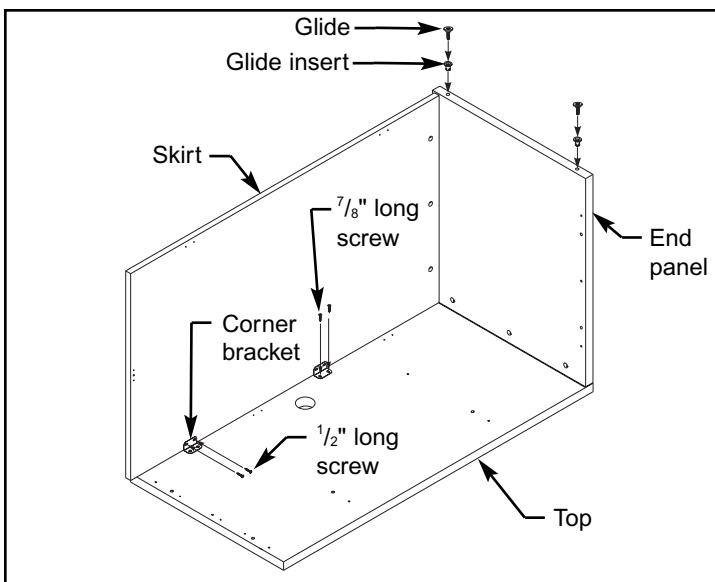
Left Hand Return



12. Refer to Illustration 8. With the arrows facing the end panel, install three cam connectors (from hardware pack) into skirt. Use the Phillips screwdriver to tighten cam connectors. Turn cam connectors clockwise to tighten.

Illustration 9

Left Hand Return



13. Refer to Illustration 9. Position two corner brackets (from hardware pack) onto return top and against skirt. Align holes in corner bracket with pre-drilled holes in skirt and return top.
14. Refer to Illustration 9. Use the $\frac{1}{4}$ " power nutdriver to install $\frac{1}{2}$ " long screws (from hardware pack) through holes in corner bracket and into pre-punched holes in skirt.
15. Refer to Illustration 9. Use the $\frac{1}{4}$ " power nutdriver to install $\frac{7}{8}$ " long screws (from hardware pack) through holes in corner bracket and into pre-punched holes in return top.
16. Refer to Illustration 9. locate holes in bottom edge of end panel. Use the rubber mallet to install glide inserts (from hardware pack) into each hole. Thread a glide (from hardware pack) into each glide insert. Turn glides clockwise until glides are flat against glide inserts.
17. Go to the Return Installation Instructions section in this instruction sheet to attach return to a desk or credenza.

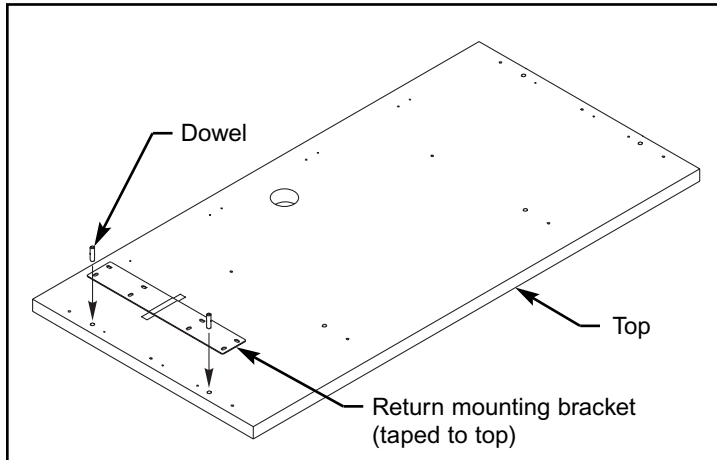
IMPORTANT

Install $\frac{7}{8}$ " long screws into return top only. Installing $\frac{7}{8}$ " long screws into skirt will damage product.

105 MODULAR RETURN

Illustration 10

Right Hand Return

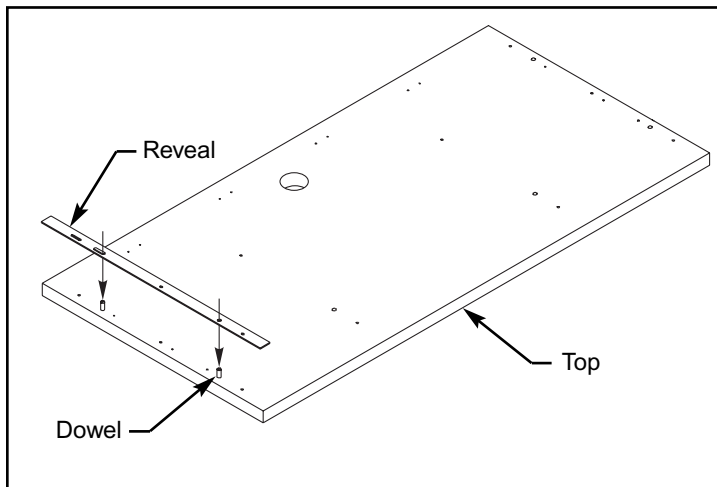


Right Hand Return Assembly Instructions:

1. Refer to Illustration 10. Lay return top upside down on cardboard or a carpeted surface.
2. Refer to Illustration 10. Remove tape securing return mounting bracket to return top. Save return mounting bracket for later use.
3. Refer to Illustration 10. Use the rubber mallet to install two dowels (from hardware pack) into return top.

Illustration 11

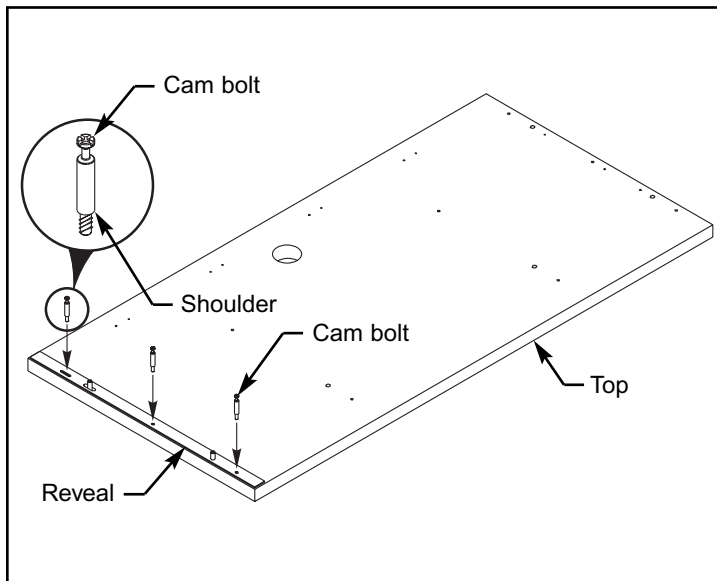
Right Hand Return



4. Refer to Illustration 11. Place reveal over dowels as shown.

Illustration 12

Right Hand Return

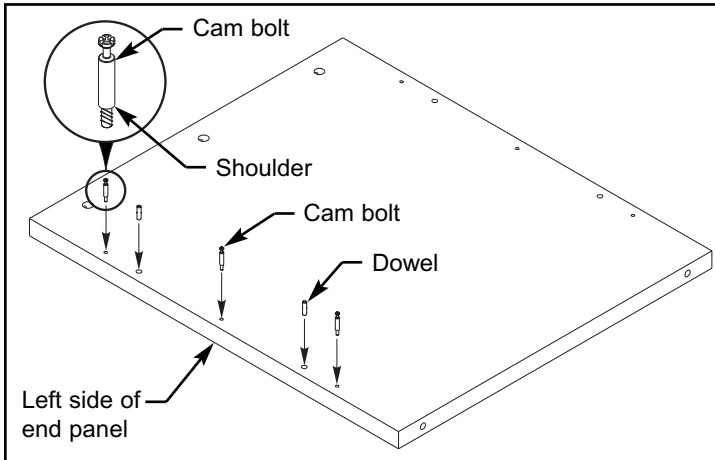


5. Refer to Illustration 12. Use the Phillips screwdriver to install three cam bolts (from hardware pack) through reveal and into return top. Tighten cam bolts until cam bolt shoulder is flush against surface of reveal.

105 MODULAR RETURN

Illustration 13

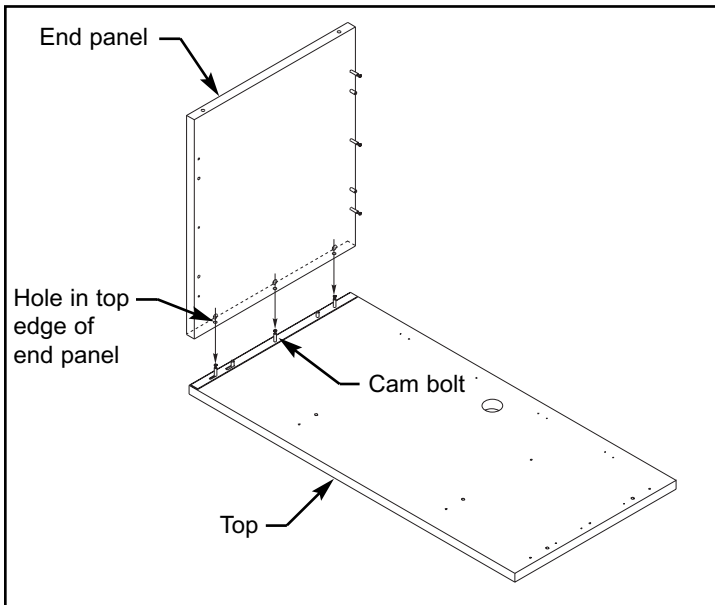
Right Hand Return



6. Refer to Illustration 13. Lay return end panel, with holes up, on cardboard or a carpeted surface.
7. Refer to Illustration 13. Use the rubber mallet to install two dowels (from hardware pack) into dowel holes on the left side of return end panel.
8. Refer to Illustration 13. Use the Phillips screwdriver to install three cam bolts (from hardware pack) into cam bolt holes on the left side of return end panel. Tighten cam bolts until cam bolt shoulder is flush against surface of end panel.

Illustration 14

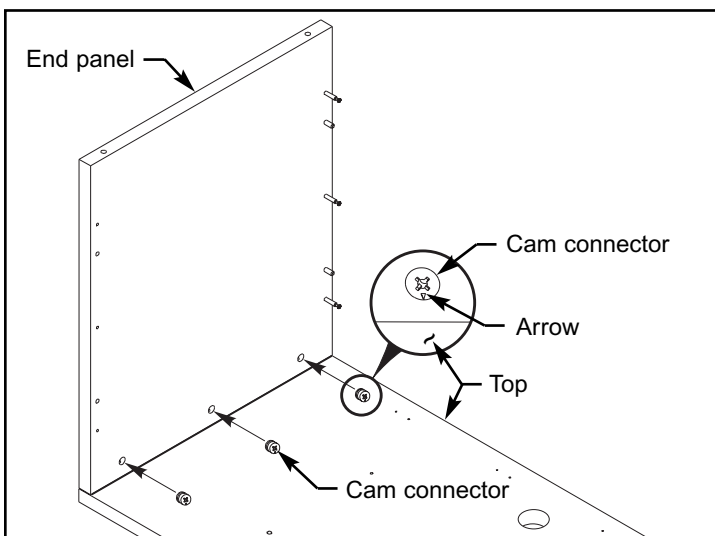
Right Hand Return



9. Refer to Illustration 14. Place end panel onto return top as shown. Insert cam bolts, attached to return top, into holes drilled into top edge of end panel.

Illustration 15

Right Hand Return

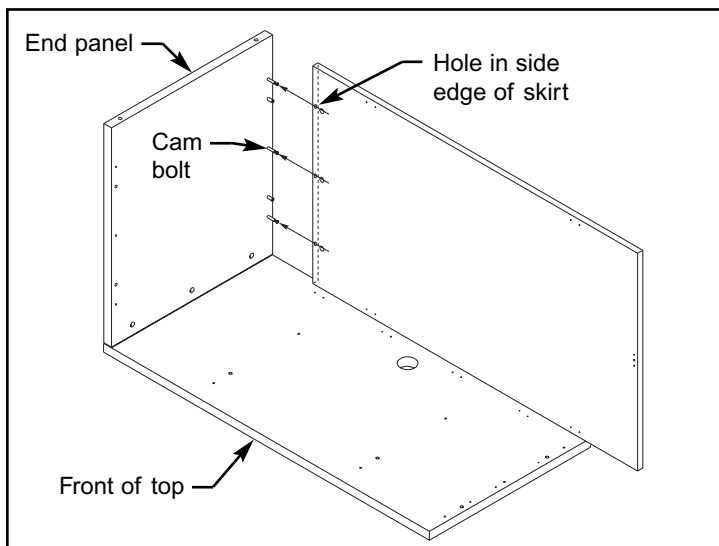


10. Refer to Illustration 15. With the arrows facing the return top, install three cam connectors (from hardware pack) into end panel. Use the Phillips screwdriver to tighten cam connectors. Turn cam connectors clockwise to tighten.

105 MODULAR RETURN

Illustration 16

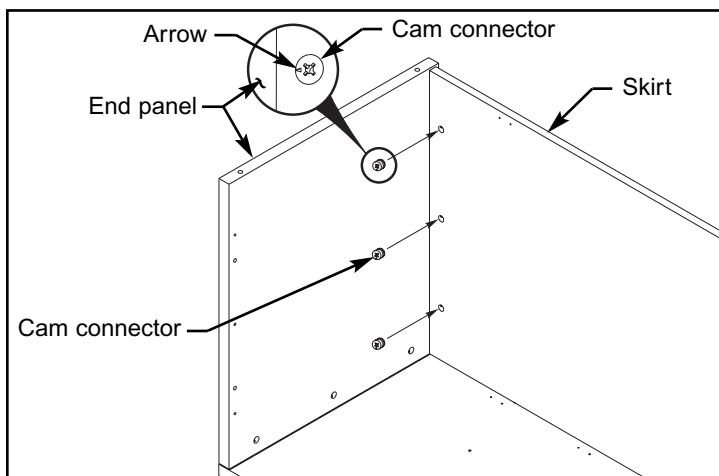
Right Hand Return



11. Refer to Illustration 16. With holes facing front edge of return top, place skirt onto return top as shown. Insert cam bolts, attached to end panel, into holes drilled into side edge of skirt.

Illustration 17

Right Hand Return



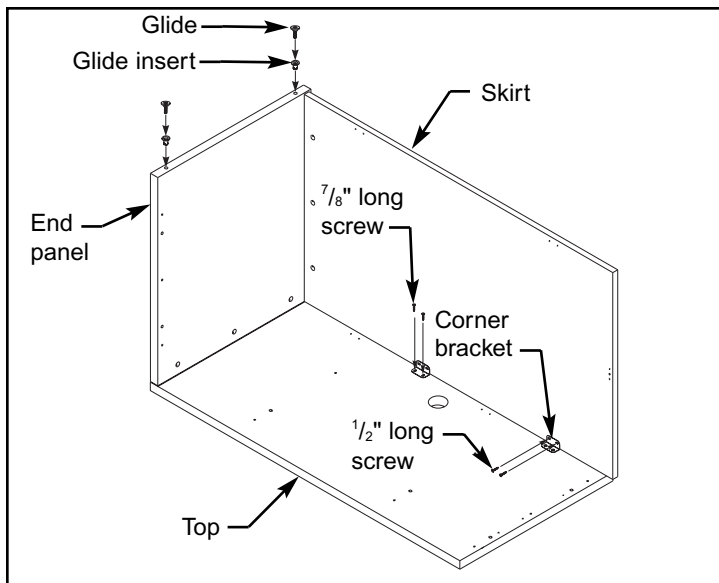
12. Refer to Illustration 17. With the arrows facing the end panel, install three cam connectors (from hardware pack) into skirt. Use the Phillips screwdriver to tighten cam connectors. Turn cam connectors clockwise to tighten.

IMPORTANT

Install $\frac{7}{8}$ " long screws into return top only. Installing $\frac{7}{8}$ " long screws into skirt will damage product.

Illustration 18

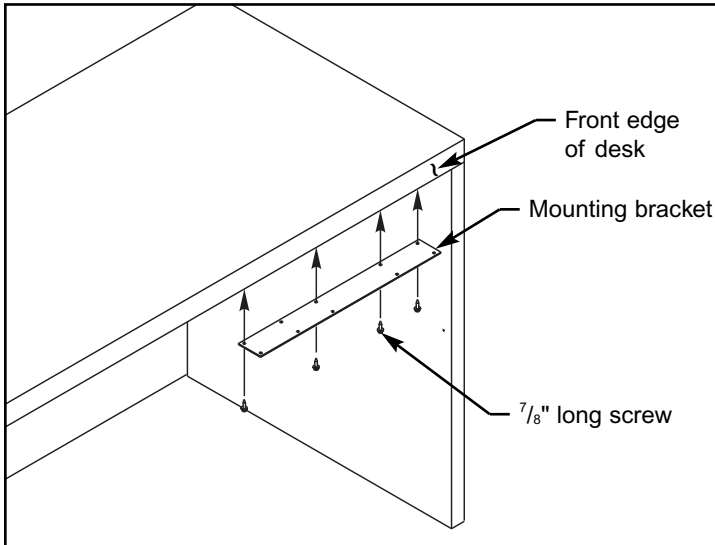
Right Hand Return



13. Refer to Illustration 18. Position two corner brackets (from hardware pack) onto return top and against skirt. Align holes in corner bracket with pre-drilled holes in skirt and return top.
14. Refer to Illustration 18. Use the $\frac{1}{4}$ " power nutdriver to install $\frac{1}{2}$ " long screws (from hardware pack) through holes in corner bracket and into pre-punched holes in skirt.
15. Refer to Illustration 18. Use the $\frac{1}{4}$ " power nutdriver to install $\frac{7}{8}$ " long screws (from hardware pack) through holes in corner bracket and into pre-punched holes in return top.
16. Refer to Illustration 9. locate holes in bottom edge of end panel. Use the rubber mallet to install glide inserts (from hardware pack) into each hole. Thread a glide (from hardware pack) into each glide insert. Turn glides clockwise until glides are flat against glide inserts.
17. Go to the Return Installation Instructions section in this instruction sheet to attach return to a desk or credenza.

105 MODULAR RETURN

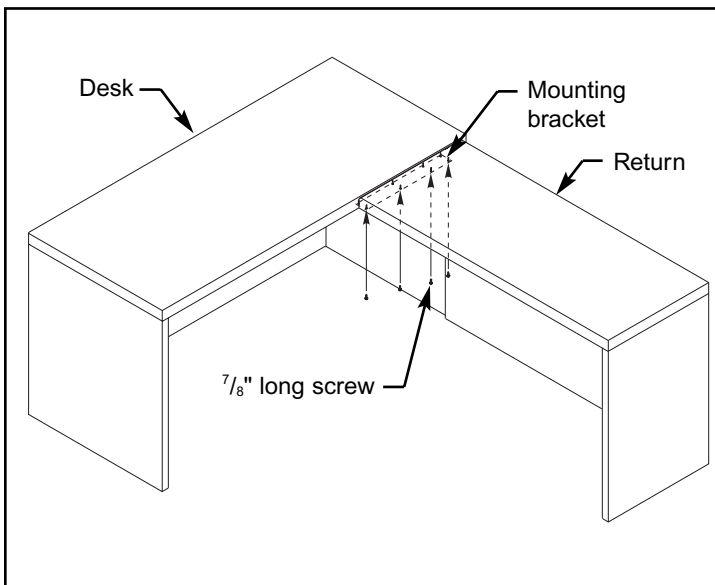
Illustration 19



Return Installation Instructions:

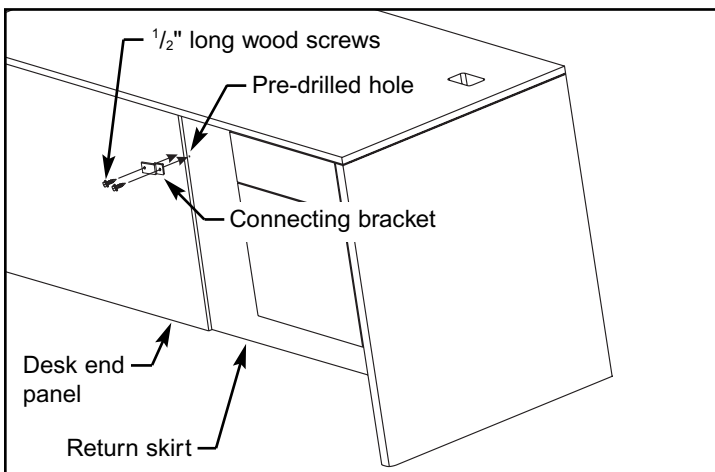
1. Use two or more people to position desk in location where it will be used. Level desk, left-to-right and front-to-rear, by adjusting leveling glides along bottom edge of desk end panels (if applicable).
2. Refer to Illustration 19. Install mounting bracket, removed from return unit, onto desk as shown (note hole pattern). Attach mounting bracket to either side of desk and use pre-drilled holes along front edge of desk top. Use the $\frac{1}{4}$ " power nutdriver to install four $\frac{7}{8}$ " long wood screws (from return hardware pack) through holes in mounting bracket and into pre-punched holes along front edge of desk top. Fully tighten screws.

Illustration 20



3. Refer to Illustration 20. Use two or more people to place return top onto mounting bracket as shown.
4. Refer to Illustration 20. Use the $\frac{1}{4}$ " power nut driver to install $\frac{7}{8}$ " long screws (from hardware pack) through holes in mounting bracket and into pre-punched holes in bottom of return top. Do not tighten mounting bracket screws.
5. Align return with desk and level return, left-to-right and front-to-rear, by adjusting leveling glides along bottom edge of return end panel.

Illustration 21



6. Refer to Illustration 21. On desk side of return, position connecting bracket (from hardware pack) over predrilled hole in return skirt and flat against desk end panel. Use the $\frac{1}{4}$ " hex head screwdriver to install a $\frac{1}{2}$ " long wood screw (from hardware pack) through connecting bracket and into return skirt predrilled hole. Install the second $\frac{1}{2}$ " long wood screw (from hardware pack) through connecting bracket and into desk end panel. Fully tighten wood screws.
7. Fully tighten all mounting bracket screws.