

## Installation Instructions

# Aero FPD Universal Wall Mount for LCD-TFT Flat Panel Displays by Draper

### Caution

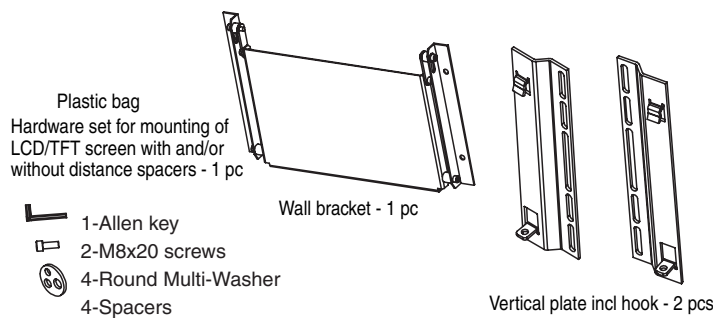
- ① Installer must make sure mount is positively and securely attached, and that appropriate fasteners are used.
- ② Before you start assembling the Aero FPD Basic Wall Mount, measure the distance between mounting holes on the rear of the screen chassis and verify the screen is compatible with the mount's application range.
- ③ Before you begin assembly, be sure the screws provided in the plastic bag fit the threaded holes on the back of the Flat Panel Display.
- ④ If the threaded holes are in depressions in the screen's chassis, use the spacers and longer screws.
- ⑤ The Vertical Plates can be installed in different ways to reach the mounting holes (see illustrations).
- ⑥ If the threaded mounting holes on the back of LCD screen are covered/occupied by other installation devices, remove the devices and use the threaded holes for mounting the Aero FPD Basic Wall Mount.
- ⑦ Make sure all screws and bolts are tightened before allowing mount to bear the full weight of the flat panel display.

**Please Note:** See below for a complete hardware and parts list.

- ④ Place the Vertical Plates of the back of the screen's chassis (centered as much as possible) and fasten them using the provided screws, washers and spacers (if needed) (see Fig. 2, A and B).

**Please Note:** The vertical plates must be mounted the exact same distance ("A" and "B") from the upper edge and side edge of the screen. Make sure that the hook is placed toward the top of the display.

### Aero FPD Basic Wall —Parts and Hardware



### Assembly and Mounting

- ① Make sure the bracket is level by placing a carpenter's level on the upper edge of the mount.
- ② Wall mounting holes are located 16" apart on center. Hold the bracket against the wall and mark four drilling holes. Drill holes in the wall and attach the bracket with suitable screws (provided by installer) (see Fig. 1). Screws should be 6 mm (.2362") maximum diameter.
- ③ Tilt the bracket forward and secure with two M6 x 20 screws (see Fig. 1).

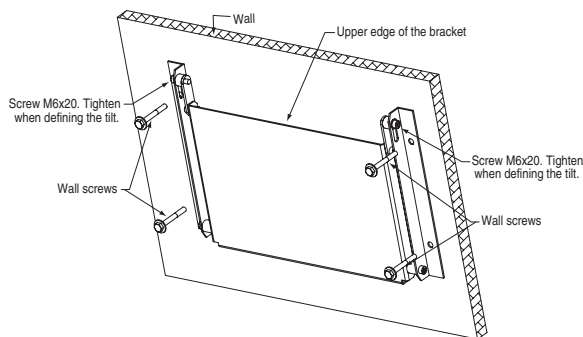


Figure 1

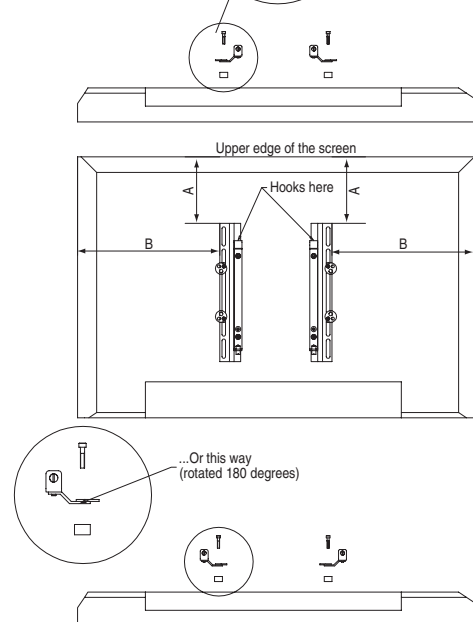
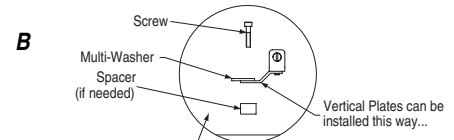
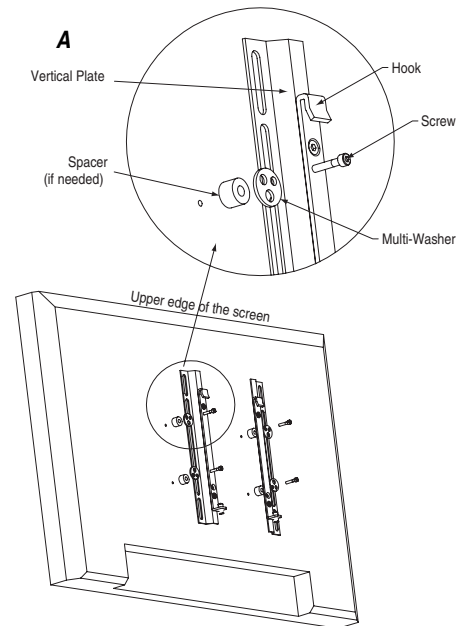


Figure 2

# DRAPER

- ⑤ Hang the screen with the mounted plates onto upper edge of the bracket. Make sure that the distance between hooks and the side brackets is equal on each side. Press the lower part of the screen towards the bracket, until you hear a "click" (see Fig. 3).

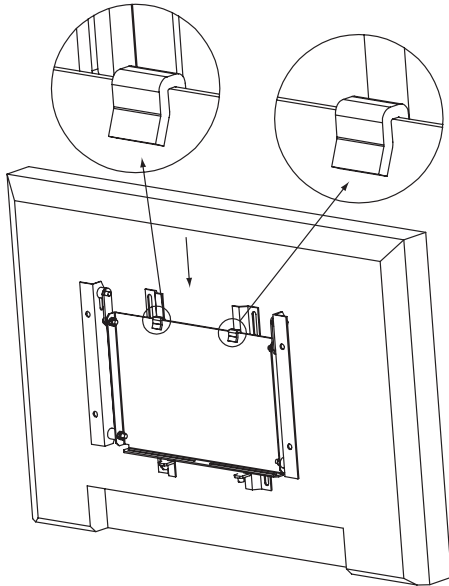


Figure 3

- ⑥ Depending on the weight of the screen, the spring screws may need to be tightened (see Fig. 4). Screws can also be tightened to lock display to the mount.

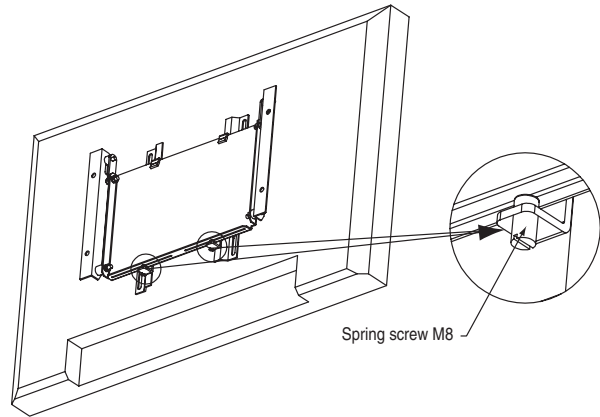


Figure 4

**Dimensions**

