

Installation Instructions

Aero Mounts for LCD/DLP Projectors by Draper

Caution

- ① Installer must make sure Aero Mount for LCD/DLP Projectors is positively and securely attached, and appropriate fasteners are used.
- ② Before installing, check to make sure all parts of the mount are there.
- ③ Assembly hardware is included; fasteners for attaching mount to ceiling are not included.
- ④ Make sure all screws and bolts are tightened before allowing Aero Mount for LCD/DLP Projectors to bear the full weight of the projector.
- ⑤ Mount projector before hooking up to electrical and other cables.
- ⑥ When making adjustments, make sure projector is firmly supported.
- ⑦ All assembly screws require Metric Allen wrench (included).

Installation

Note: For Model 4-N, skip to step 3.

- ① Insert ball joint assembly into column. Secure using two 5 x 12 Allen-head screws (see Fig. 1).

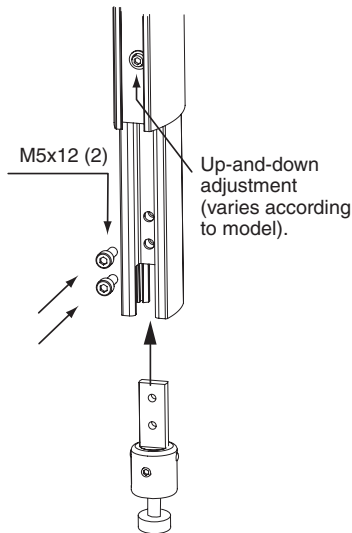


Figure 1

- ② Connect column assembly to mounting plate using appropriate hardware (provided—see Fig. 2). Aero Model 4-N comes pre-assembled.

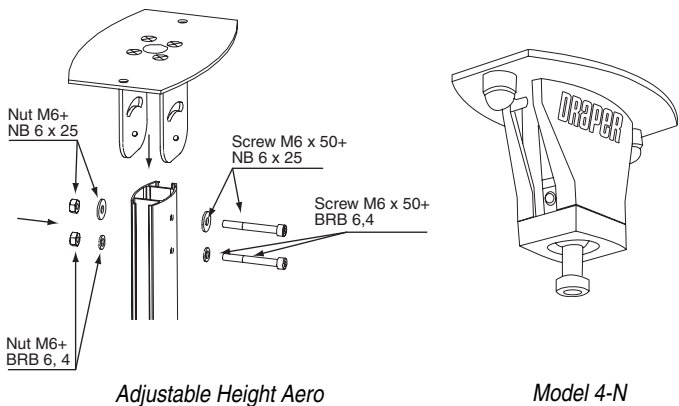


Figure 2

- ③ Use mounting plate to mark ceiling, then attach plate to ceiling. For ceiling plate dimensions, see diagrams on page 2.
- ④ Install Aero Universal Projector Bracket on projector if applicable (see separate instructions; also Fig. 3). Then, attach bracket and projector to Aero column (see Fig. 4).

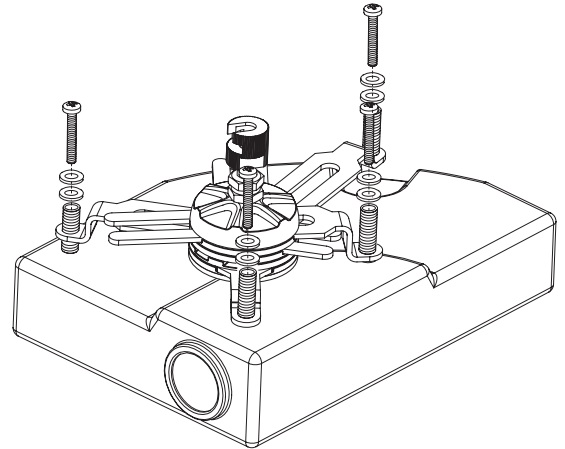


Figure 3

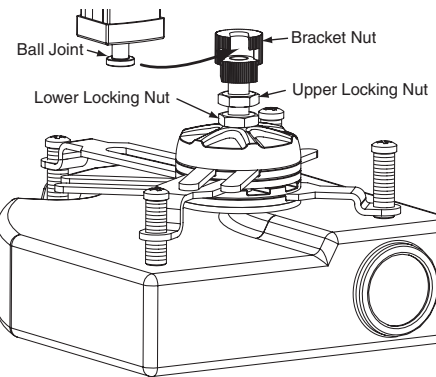
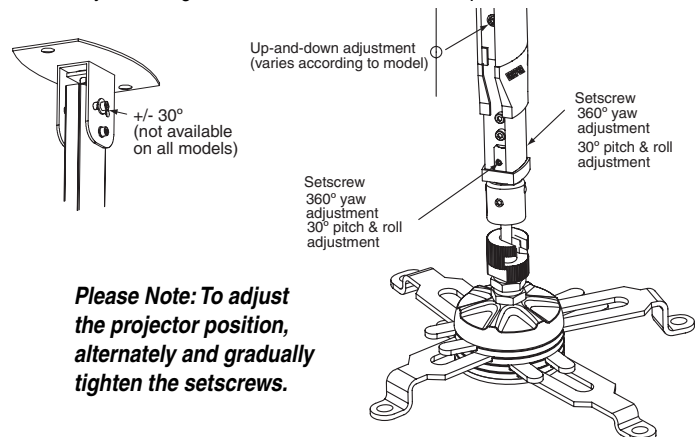


Figure 4

- ⑤ On adjustable models, if appropriate, run wiring down through large slots in mounting plate.
- ⑥ Run wiring along cable guides for hookup to projector. Place cable covers in cable guides, then snap on side covers.

Adjustment

Some models of the Aero Mount for LCD/DLP Projectors have several points of adjustment. For ranges of adjustment according to model, see charts on page 2. Adjustments are infinite within range. Adjustments can be made with the projector attached to the mount; built-in safety features will prevent accidents by “catching” the lower section before it drops out of the unit.



Please Note: To adjust the projector position, alternately and gradually tighten the setscrews.

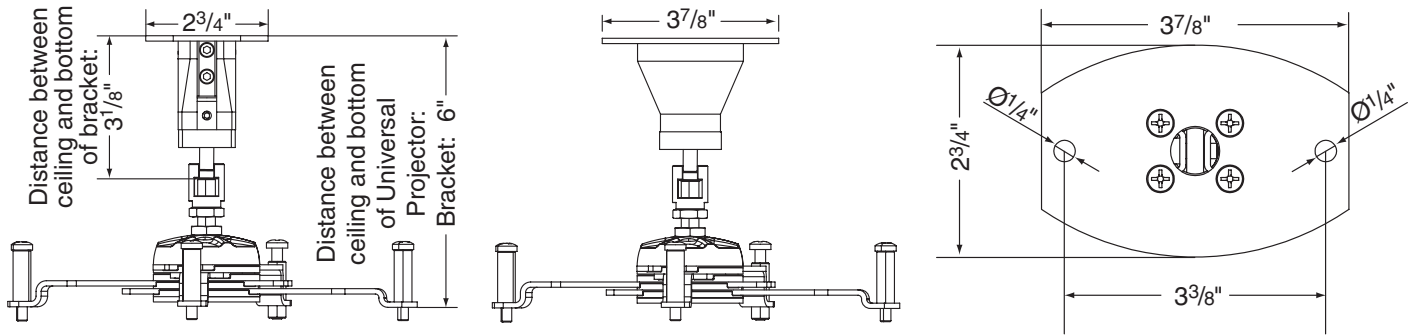
DRAPER

411 S. Pearl St., Spiceland, IN 47385 USA ■ 765-987-7999 ■ fax 765-987-7142
 e-mail draper@draperinc.com ■ www.draperinc.com

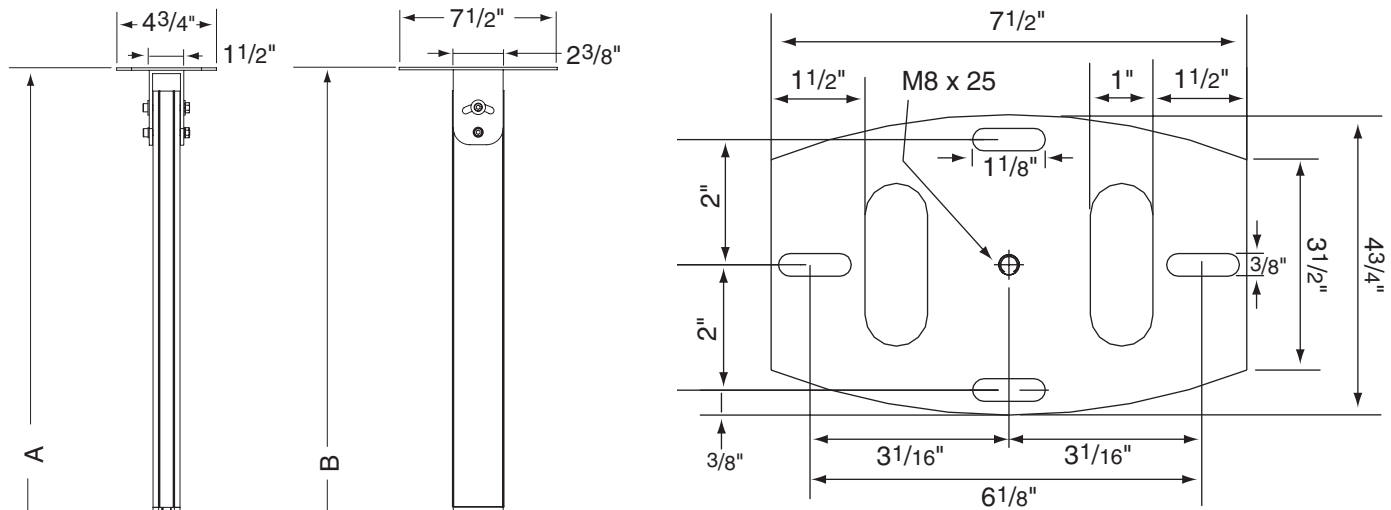
Copyright ©2004 Draper Inc. Form AeroLCD_Inst04-R Printed in U.S.A.

If you encounter any difficulty installing or servicing your Aero Mount for LCD/DLP Projectors, call your dealer or Draper, Inc., Spiceland, Indiana, (765) 987-7999; fax (765) 987-7142; or email draper@draperinc.com.

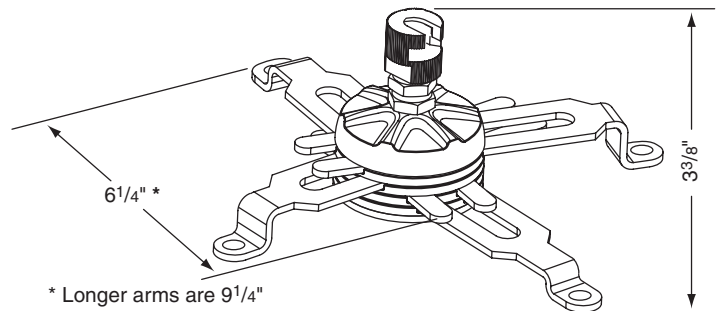
Aero Model 4-N Fixed Mount Dimensions



Aero Adjustable Mount Dimensions

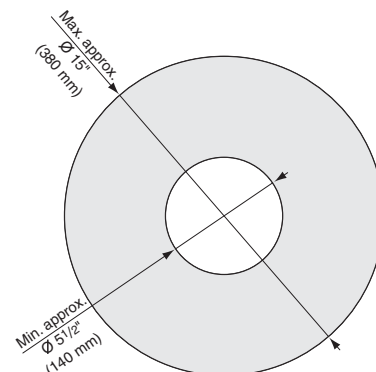


Aero Universal Projector Bracket Dimensions



Please Note: This is total height of Universal Projector Bracket. Once attached, Universal Bracket actually adds a minimum of 3" to overall mount size.

Aero Universal Projector Bracket Coverage



Model	A (Min)	B (Max)	C
1214	13 ³ / ₈ "	15 ³ / ₈ "	2"
2030	21 ¹ / ₄ "	31 ¹ / ₈ "	9 ⁷ / ₈ "
2636	27 ¹ / ₄ "	37"	9 ⁷ / ₈ "
3444	35 ¹ / ₈ "	44 ⁷ / ₈ "	9 ⁷ / ₈ "
4252	43"	52 ⁷ / ₈ "	9 ⁷ / ₈ "

Adjustability	Pitch	Roll	Yaw
At Ceiling Plate*	±30°	0°	0°
At Ball Joint	±30°	±30°	360°