

Installation Instructions

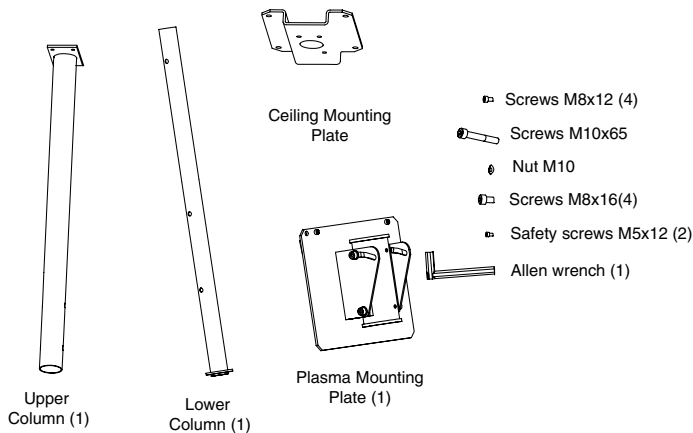
Aero C Basic Ceiling Mount for Plasma Displays by Draper

Caution

- ① Installer must make sure plasma display mount is positively and securely attached, and that fasteners appropriate to materials are used.
- ② Before installing, check to make sure all parts of the mount are there.
- ③ Assembly hardware included; fasteners for attaching mount to ceiling are not included.
- ④ Make sure all screws and bolts are tightened before allowing mount to bear the full weight of the plasma display.
- ⑤ Two people are required when mounting display to this product.
- ⑥ Installer may cut lower column to shorter heights if desired; DO NOT cut bottom end (with lip).
- ⑦ Installer may drill additional holes in lower column for more incremental adjustment.

Please Note: See below for a complete hardware and parts list.

C Basic—Parts and Hardware



Assembly/Installation

- ① Slide upper column down through ceiling mounting plate, and attach upper column to ceiling mounting plate using M8 x 12 screws (see Fig. 1).

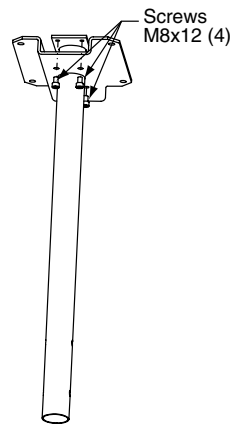


Figure 1

- ② Slide plasma mounting plate down onto lower column. Allow mounting plate to rest on the lip at the bottom of the column (see Fig. 2).

Please Note: column can be cut to shorter heights, and additional holes drilled for more incremental adjustment. Do not cut end with lip (see notes 6 and 7 under "Caution")

DRAPER

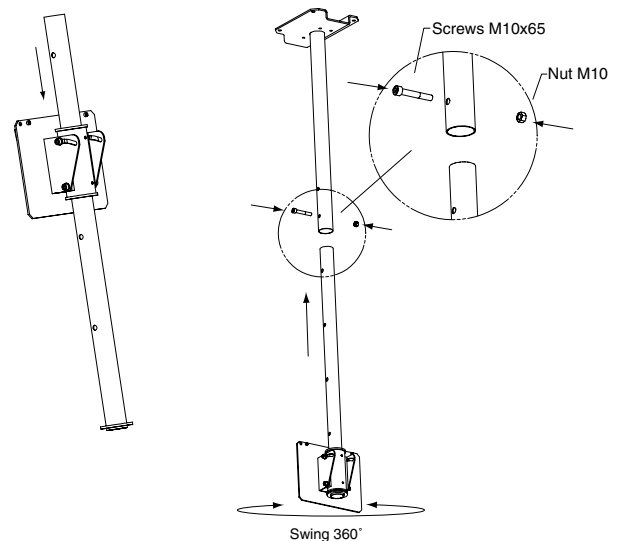


Figure 2

- ③ Slide lower column into upper column and attach using M10 x 65 screw and M10 nut (see Fig. 2).
- ④ Attach universal plasma bracket or plasma specific bracket to monitor using enclosed screws and washers (see separate instruction sheet).
- ⑤ Use the ceiling mounting plate to mark out holes for the ceiling. Check alignment with level then drill $\frac{3}{8}$ " holes and attach mount to ceiling structured ceiling.
- ⑥ Once mount is attached to ceiling, lock plasma mounting plate into position using M8 x 16 screws (see Fig. 3).

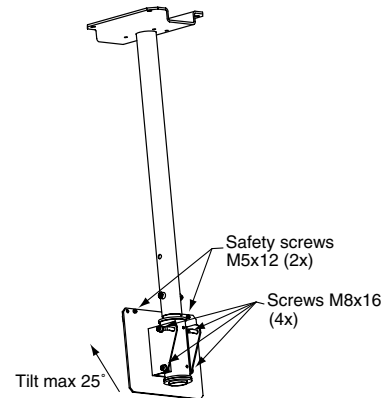


Figure 3

- ⑦ **NOTE: This step requires two people.** Carefully lift plasma display and slide keystone mounting bracket into slots on plasma mounting plate (see Fig. 4). Lock in place using safety screws.

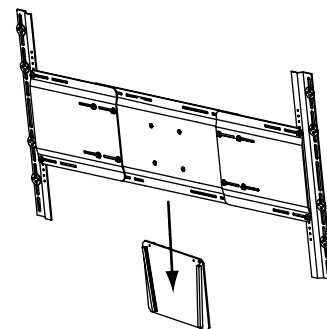
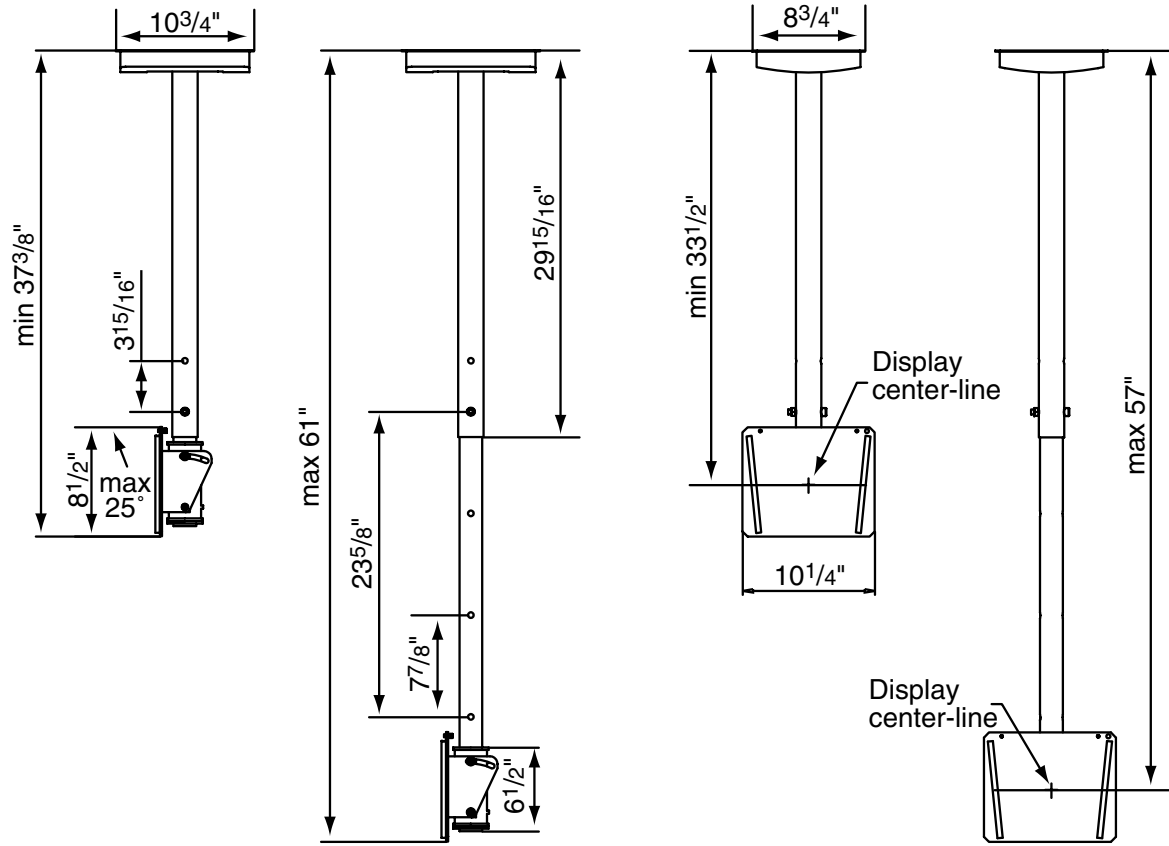


Figure 4

Dimensions



Made in Sweden by sms safe brackets ab, a wholly-owned subsidiary of Draper, Inc.