

Installation Instructions

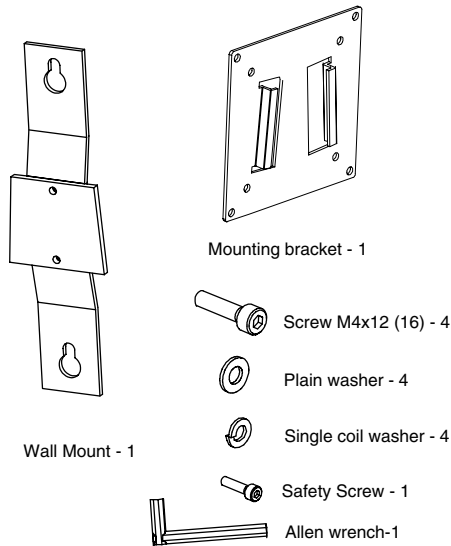
Aero FPD Wall Mount for LCD-TFT Flat Panel Displays by Draper

Caution

- ① Installer must make sure mount is positively and securely attached, and that fasteners appropriate to materials are used.
- ② Before installing, check to make sure all parts of the mount are there.
- ③ Assembly hardware and Allen wrench included; fasteners for attaching mount to ceiling are not included.
- ④ Make sure all screws and bolts are tightened before allowing mount to bear the full weight of the flat panel display.

Please Note: See below for a complete hardware and parts list.

Aero FPD Wall Mount—Parts and Hardware



Assembly and Mounting

- ① Mark and drill holes in the wall (see Fig. 1).

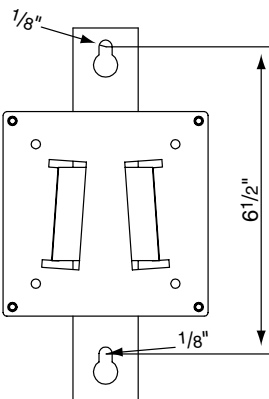


Figure 1

- ② Fasten bracket to wall, then loosen the screws one half turn and remove the bracket from the wall (leave screws).
- ③ Fasten the mounting plate to the back panel of your Flat Panel Display with the provided screws and washers (see Fig. 2).

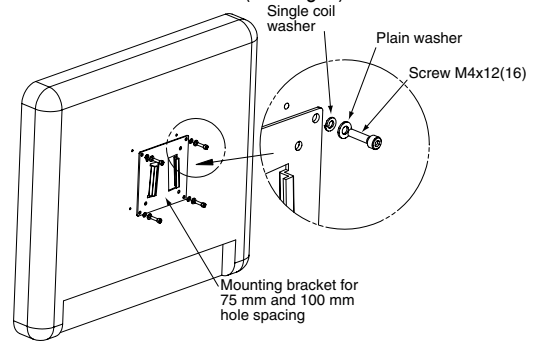


Figure 2

- ④ Snap the wall bracket to the mounting plate (see Fig. 3)

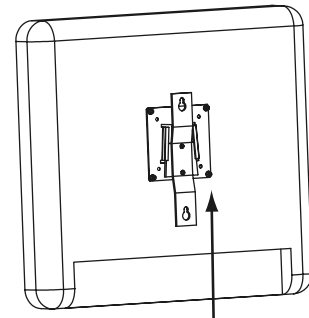


Figure 3

- ⑤ Lock the panel in place by tightening the safety screws (see Fig. 4).

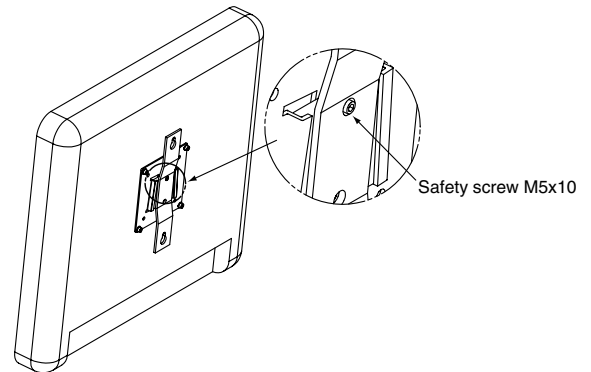


Figure 4

- ⑥ Hook the assembly—panel and wall bracket—onto the screws on the wall, and tighten as necessary.

DRAPER

411 S. Pearl St., Spiceland, IN 47385 USA ■ 765-987-7999 ■ fax 765-987-7142
 e-mail draper@draperinc.com ■ www.draperinc.com
 Copyright ©2004 Draper Inc. Form AeroFPDWall_Inst04 Printed in U.S.A.

If you encounter any difficulty installing or servicing your Aero Mount for Flat Panel Displays, call your dealer or Draper, Inc., Spiceland, Indiana, (765) 987-7999; fax (765) 987-7142; or e-mail draper@draperinc.com.

Made in Sweden by sms safe brackets ab, a wholly-owned subsidiary of Draper, Inc.