

## Installation Instructions

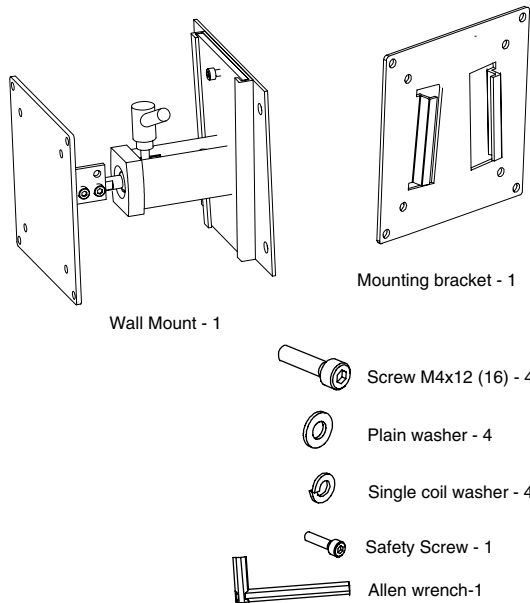
# Aero FPD Wall Infinite Mount for LCD-TFT Flat Panel Displays by Draper

### Caution

- ① Installer must make sure mount is positively and securely attached, and that fasteners appropriate to materials are used.
- ② Before installing, check to make sure all parts of the mount are there.
- ③ Assembly hardware and Allen wrench included; fasteners for attaching mount to wall are not included.
- ④ Make sure all screws and bolts are tightened before allowing mount to bear the full weight of the flat panel display.

**Please Note:** See below for a complete hardware and parts list.

### Aero FPD Wall Infinite—Parts and Hardware



### Assembly and Mounting

- ① Mark and drill holes in the wall (see Fig. 1).

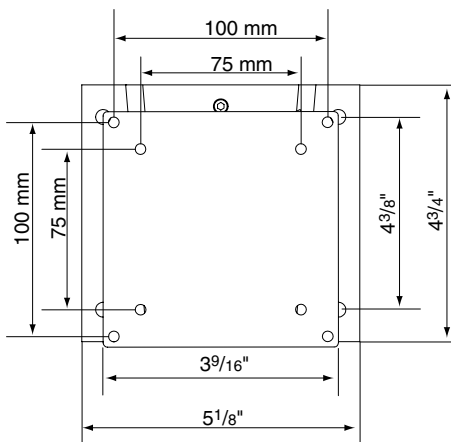


Figure 1

- ② Fasten bracket to wall.
- ③ Fasten the mounting plate to the back panel of your LCD Flat Panel Display with the provided screws and washers (see Fig. 2).

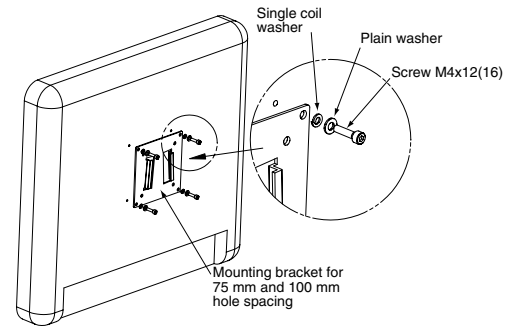


Figure 2

- ④ Snap the wall bracket to the mounting plate (see Fig. 3).
- ⑤ Lock the panel in place by tightening the safety screw (see Fig. 3).

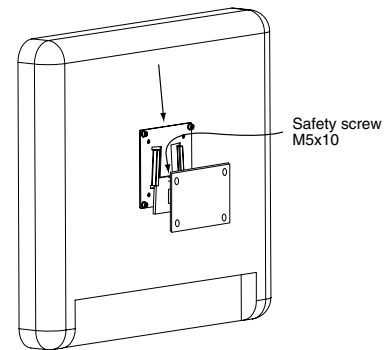
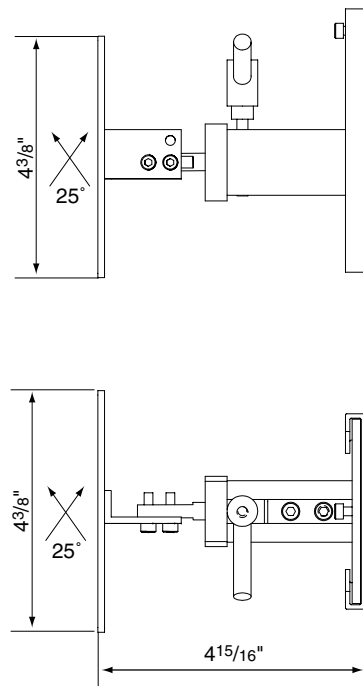


Figure 3

### Aero FPD Wall Infinite—Adjustability



**Adjustment Note:**  
Loosen handle to move display.  
When in desired position, turn handle to lock in position.

# DRAPER