

Installation Instructions

Aero C490/C1150 Ceiling Mount for Single Plasma Displays by Draper

Caution

- ① Do not dismantle the ceiling plate.
- ② Installer must make sure Plasma Display Mount is positively and securely attached, and that fasteners appropriate to materials are used.
- ③ Before installing, check to make sure all parts of the mount are there.
- ④ Assembly hardware is included; fasteners for attaching mount to ceiling are not included.
- ⑤ Make sure all screws and bolts are tightened before allowing Mount to bear the full weight of the Plasma Display.
- ⑥ At least two people are required to assemble and mount this product.
- ⑦ All assembly screws require Allen wrench (included).

Please Note: See page two for a complete hardware and parts list.

Assembly/Installation

- ① Use the ceiling plate to mark out four holes for the ceiling bolts. Drill $\frac{3}{8}$ " holes (see diagram on back page for dimensions).
- ② If ceiling plate will be visible, attach plastic lid provided to hide plate (see Fig. 1).
- ③ Slide in the side fittings (see Fig. 1).

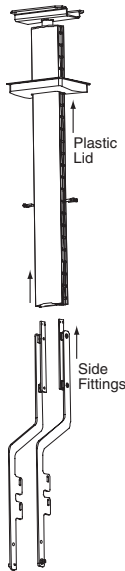


Figure 1

- ④ Fasten the chain to the lid using M8 x 16 bolt (see Fig. 2).
- ⑤ Attach lower lid to the aluminum pillar with four countersunk M6 x 25 bolts (see Fig. 2).
- ⑥ Mount side fittings at the required height. Insert four M8 x 30 bolts where indicated. Tighten all bolts (see Fig. 3).
- ⑦ Fasten fixture to ceiling (see Fig. 3). NOTE: Do not forget to use washers when attaching fixture and lid. If needed, adhere plastic lid to ceiling using double-sided tape.

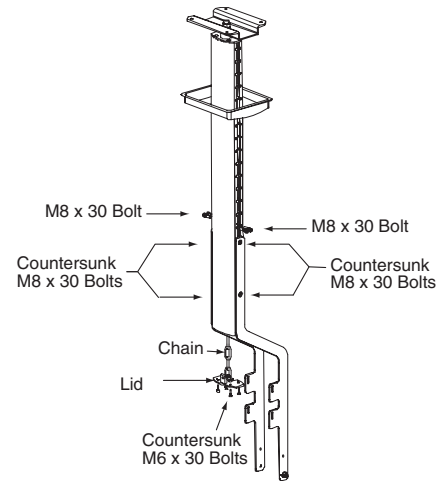


Figure 2

- ⑧ Attach universal plasma or plasma-specific bracket to plasma display using enclosed screws and washers (see separate instruction sheet).
- ⑨ Hook adapter plate onto M8 x 20 screws on side fittings. Make sure washers are tight against the fittings. Fasten screws, making sure that washers are between the plates (see Fig. 3). Use holes appropriate to screen size (see diagram on page 2).

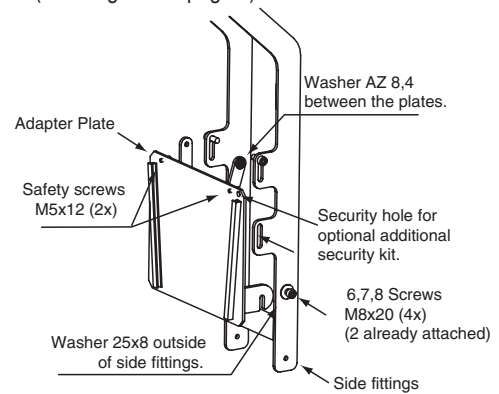


Figure 3

- ⑩ PLEASE NOTE: This step requires two people. Hook display with bracket onto the adapter plate (see Fig. 4). Tilt monitor to desired position and re-tighten all screws. Lock the plasma bracket by turning the M5 x 10 screws toward the display. Cover the bolt heads with plastic covers.

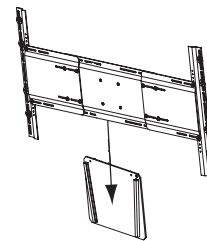
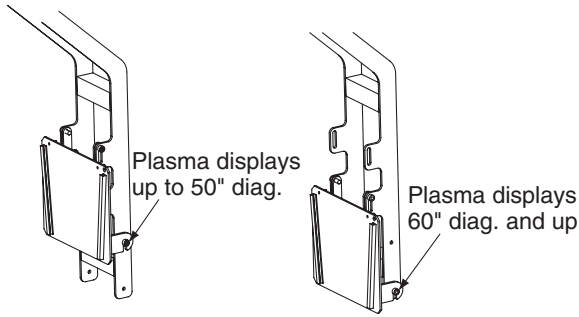


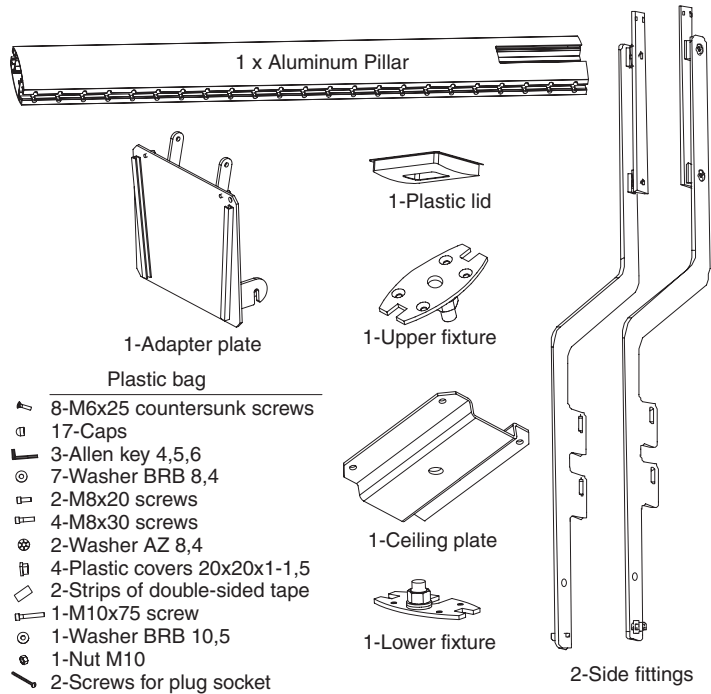
Figure 4

DRAPER

Mounting Plasma Displays of Different Sizes

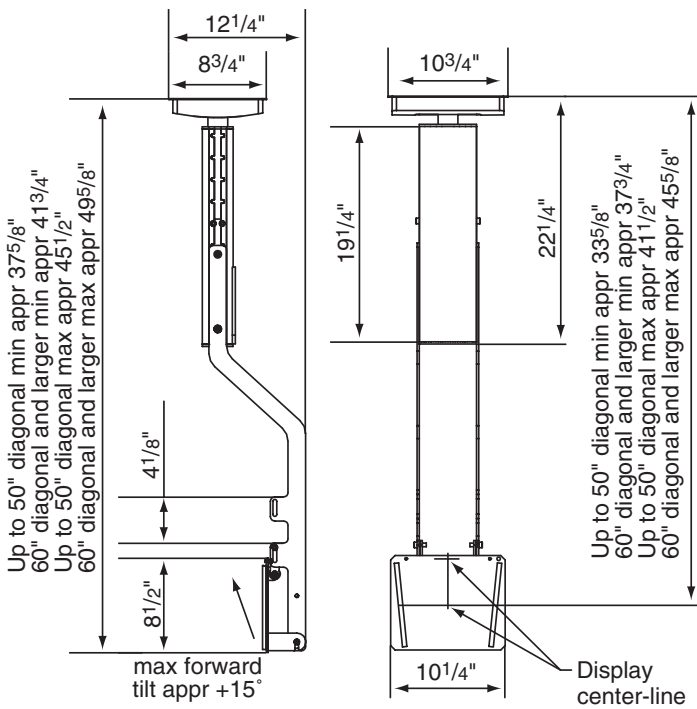


C490/C1150 Hardware and Parts List

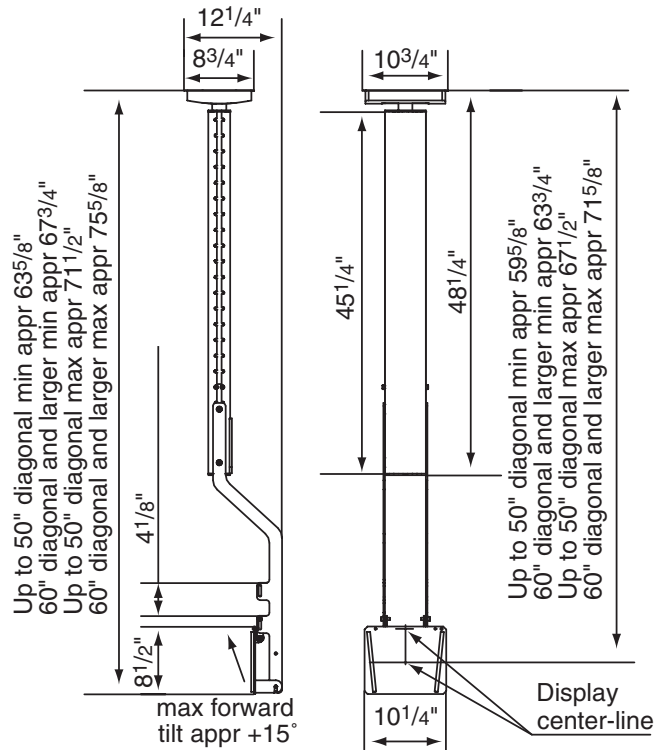


Dimensions

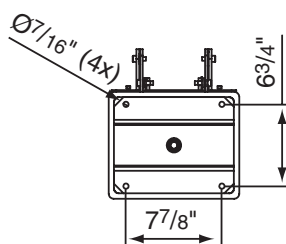
C490



C1150



C490/C1150 Ceiling Plate



Made in Sweden by sms safe brackets ab, a wholly-owned subsidiary of Draper, Inc.