

# Installation Instructions

## Aero W/F2000 Wall-Floor Mount for Plasma Displays by Draper

### Caution

- ① Installer must make sure plasma display mount is positively and securely attached, and that fasteners appropriate to materials are used.
- ② Before installing, check to make sure all parts of the mount are there.
- ③ Assembly hardware is included; fasteners for attaching mount to wall and floor are not included.
- ④ Make sure all screws and bolts are tightened before allowing Mount to bear the full weight of the plasma display.
- ⑤ At least two people are required to assemble and mount this product.
- ⑥ All assembly screws require Allen wrench (included).

**Please Note:** For complete hardware and parts list see back page.

- ① Push in the side fittings (see Fig. 1).
- ② Fasten the upper wall fixture inside the aluminum pillar with 4 countersunk M6 x 25 bolts (see Fig. 1).
- ③ Mount side fittings at the desired height. Insert four M8 x 30 bolts (2 per side) where indicated. Tighten all bolts (see Fig. 1).

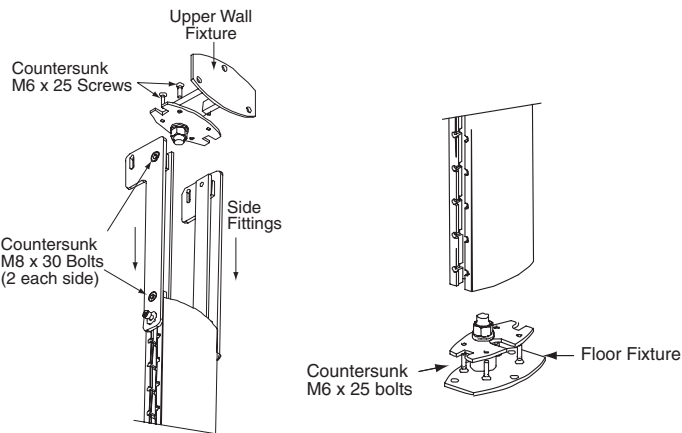


Figure 1

- ⑤ Fasten the floor fixture inside the aluminum pillar with 4 countersunk M6 x 25 bolts (see Fig. 1).
- ⑥ PLEASE NOTE: This step requires two people: Use the wall fixtures as a template to mark where to drill holes for the wall and floor screws. Use level to check alignment, drill holes and fasten fixtures to wall and floor.  
NOTE: Do not forget to use washers when attaching fixtures.
- ⑦ Attach universal plasma or plasma specific bracket to display using enclosed screws and washers (see separate instructions).
- ⑧ Hook adapter plate onto M8 x 20 screws on side fittings. Make sure washers are tight against the fittings. Fasten screws, making sure that washers are between the plates (see Fig. 2).

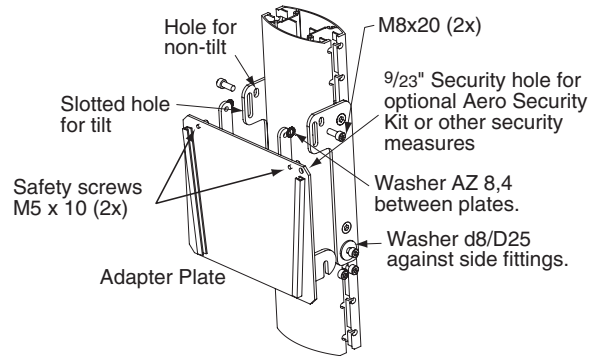


Figure 2

- ⑨ PLEASE NOTE: This step requires two people. Hook display with bracket onto the adapter plate (see Fig. 3). Tilt display to desired position and re-tighten all screws. Lock the plasma bracket by turning the M5 x 10 screws toward the display. Cover the bolt heads with plastic covers (see Fig. 2).  
NOTE: For additional displays, repeat steps 7-9 for each unit (requires additional bracket adapters).

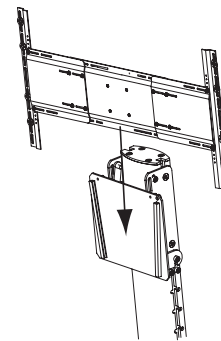


Figure 3

- ⑩ If shelf is provided, slide from top or bottom of column into place on column and place at desired height (see Fig. 4). Slide lock device into place to secure shelf.

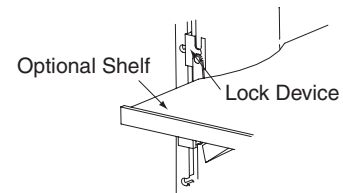
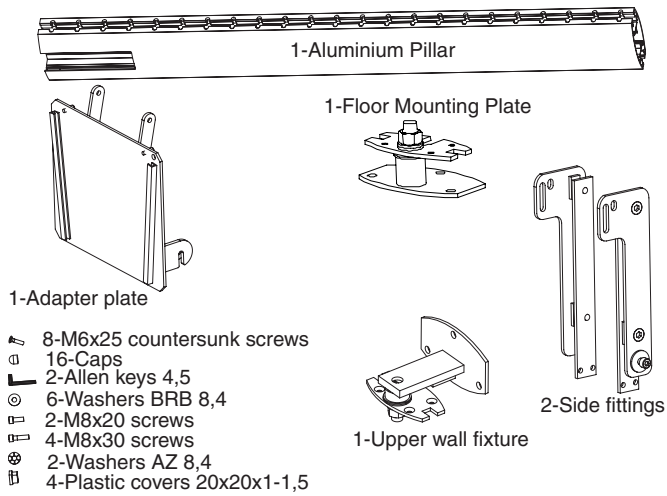


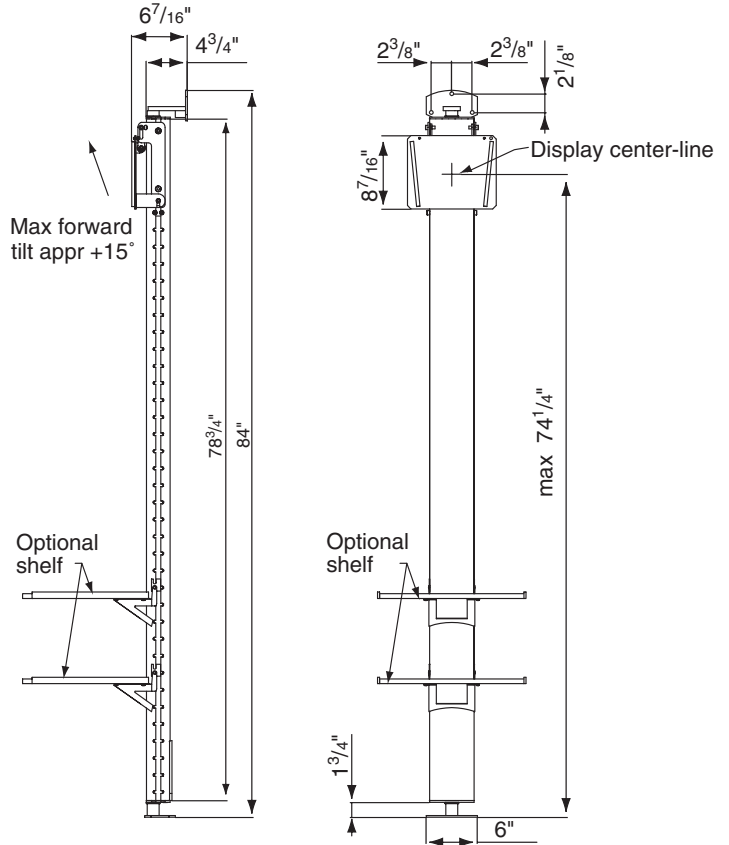
Figure 4

# DRAPER

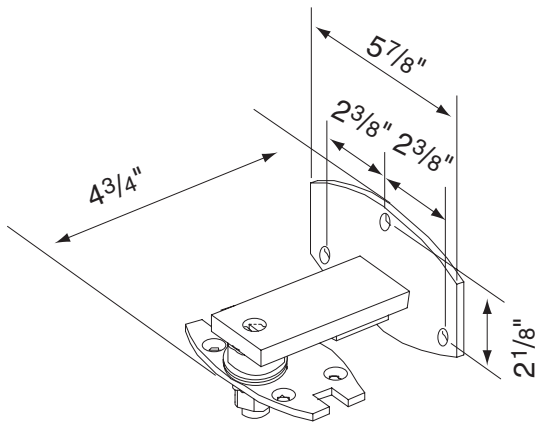
**W/F2000-Parts**



**Dimensions**



**Upper Wall Plate**



**Floor Plate**

