

Assembly Instructions

Aero Table Stand for Plasma Displays by Draper

Caution

- ① Read and understand instructions below before beginning installation.
- ② Before installing, check to make sure all parts of the mount are there.
- ③ Assembly hardware is included.
- ④ Make sure all screws and bolts are tightened before allowing table stand to bear the full weight of the plasma display.
- ⑤ Make sure Aero Table Stand is placed on a level surface.
- ⑥ At least two people are required to assemble and mount this product.
- ⑦ All assembly screws require an Allen wrench (included).

Please Note: For complete hardware and parts list see back page.

Installation

- ① Attach base to bottom of support column using four (4) M8 x 16 screws (see Fig. 1).

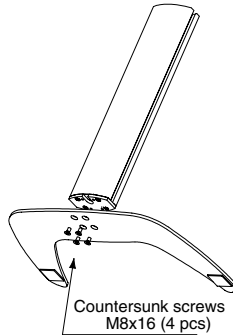


Figure 1

- ② Slide mounting plate down onto column to desired placement. Secure in place using two M8 x 20 screws and two (2) caps per side (see Fig. 2). Use plastic covers to hide screw caps.

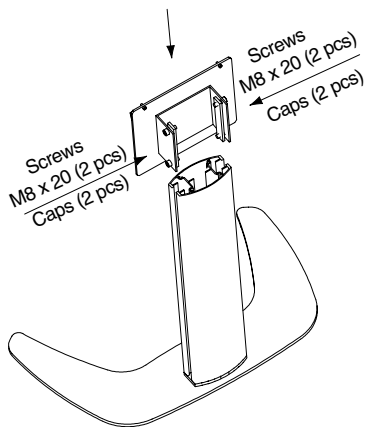


Figure 2

- ③ Attach column top to column using four (4) M6 x 10 screws (see Fig. 3).

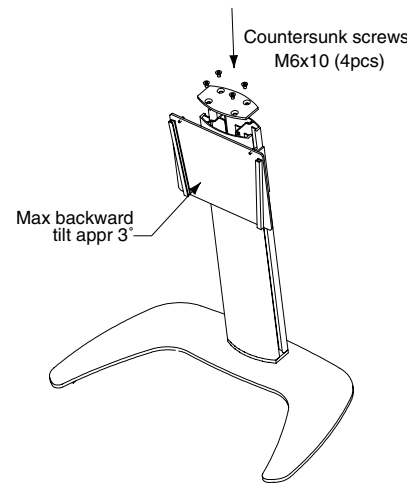


Figure 3

- ④ Attach universal or plasma specific bracket to display using enclosed screws and washers (see separate instructions for universal bracket).
- ⑤ PLEASE NOTE: This step requires two people. Hook display with bracket onto adapter plate (See fig. 4) and re-tighten all screws. Lock plasma bracket by turning M5 x 10 screws toward display. Cover bolt heads with plastic covers.

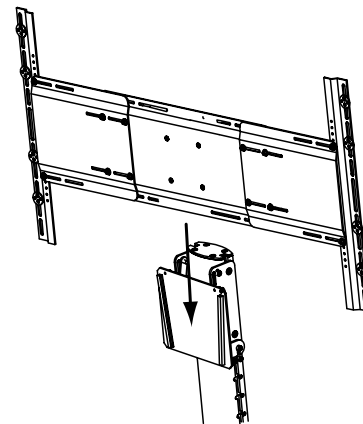
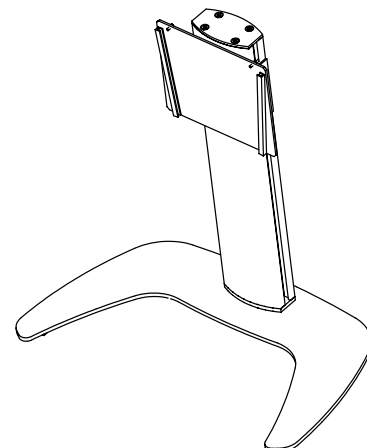


Figure 4



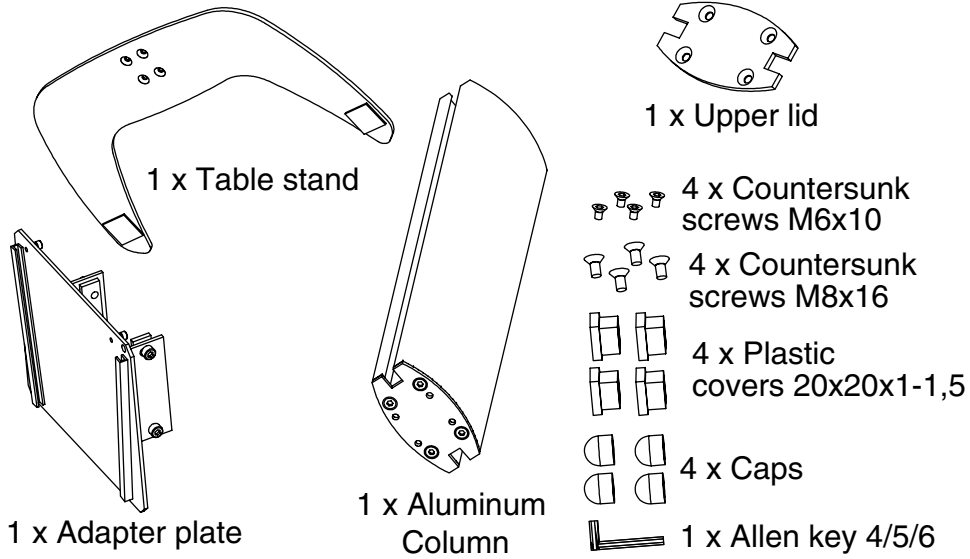
DRAPER

411 S. Pearl St., Spiceland, IN 47385 USA ■ 765-987-7999 ■ fax 765-987-7142
 e-mail draper@draperinc.com ■ www.draperinc.com

Copyright © 2004 Draper, Inc. Form AeroTableStand_Inst04 Printed in U.S.A.

If you encounter any difficulty assembling or servicing your Aero Table Stand for Plasma Displays, call your dealer or Draper, Inc., Spiceland, Indiana, (765) 987-7999; fax (765) 987-7142; or email draper@draperinc.com.

Aero Table Stand—Parts



Dimensions

