

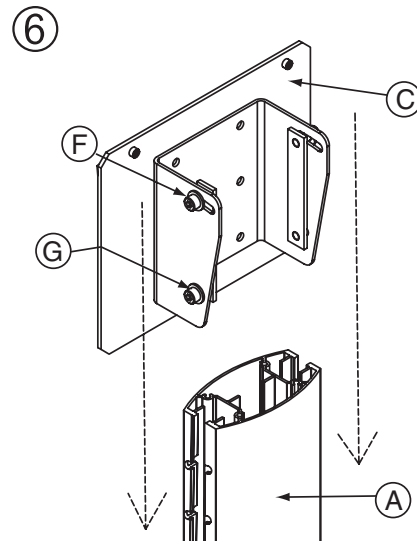
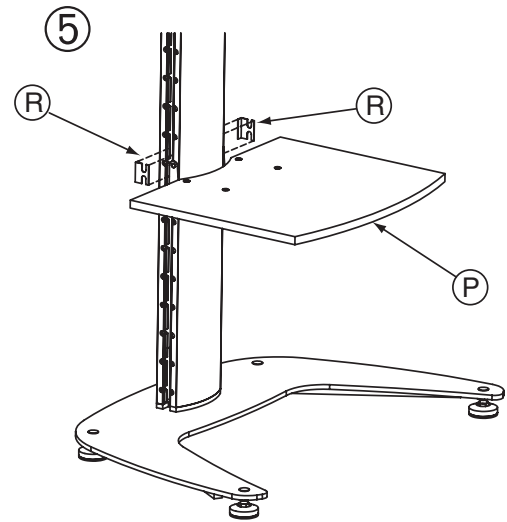
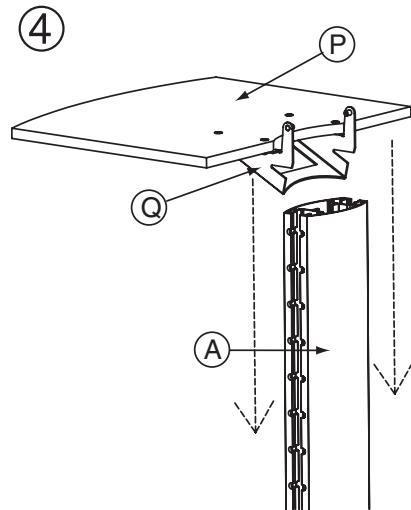
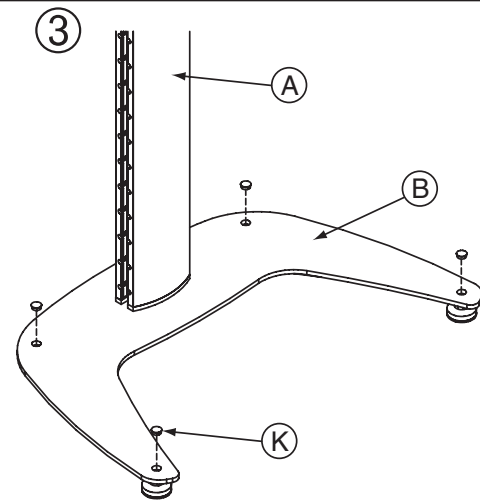
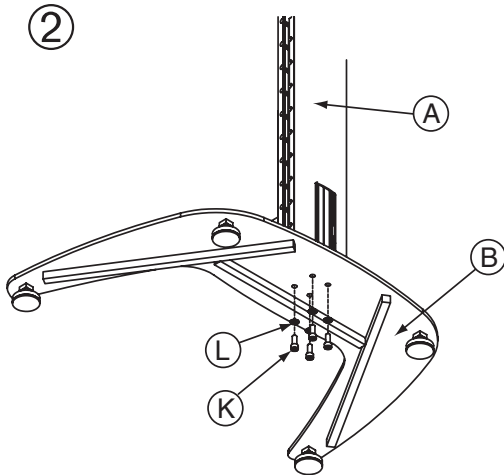
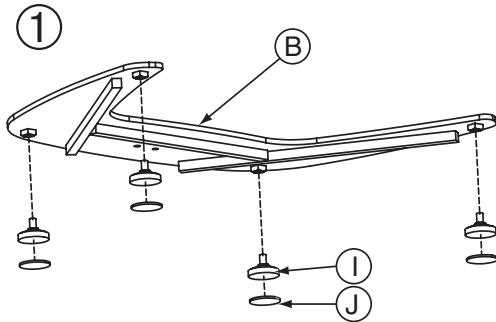
Assembly Instructions

Aero Floor Stands for Plasma Displays by Draper

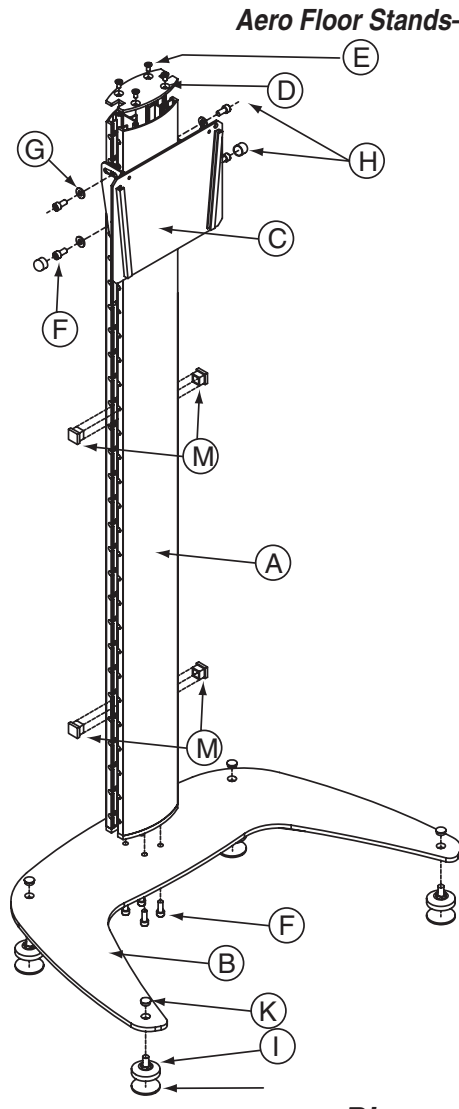
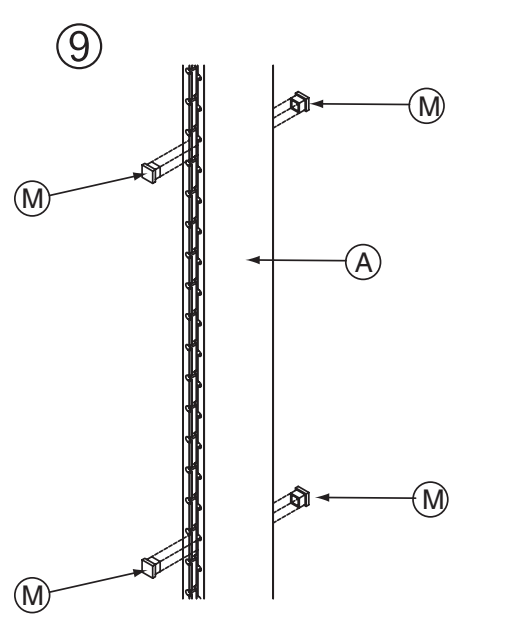
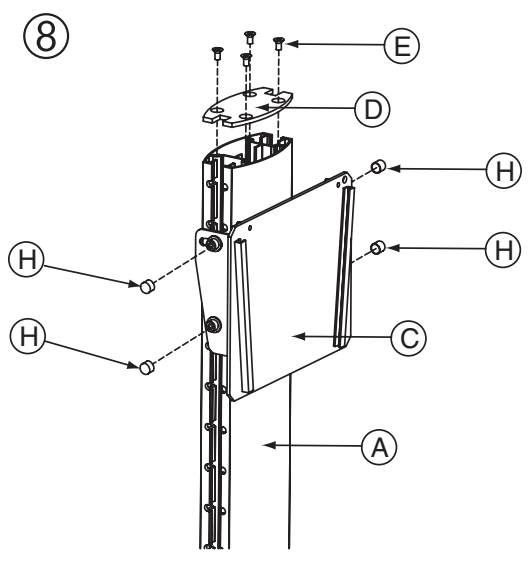
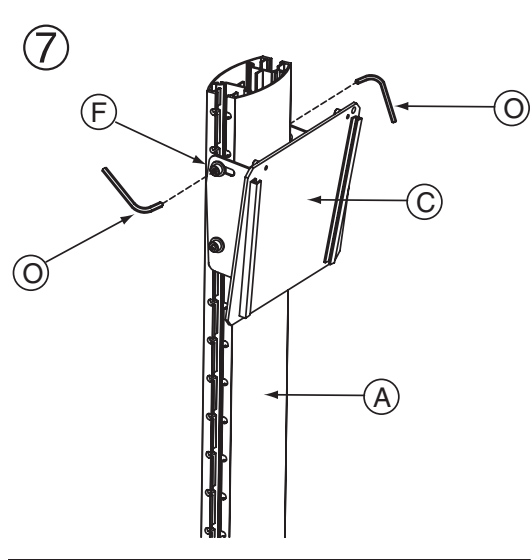
Caution

- ① Read and understand instructions below before beginning installation.
- ② Before installing, check to make sure all parts of the mount are there.
- ③ Assembly hardware is included.
- ④ Make sure all screws and bolts are tightened before allowing Mount to bear the full weight of the plasma display.
- ⑤ Make sure Aero Floor Stand is placed on a level surface.
- ⑥ At least two people are required to assemble and mount this product.
- ⑦ All assembly screws require Allen wrench (included).

Please Note: For complete hardware and parts list see back page.



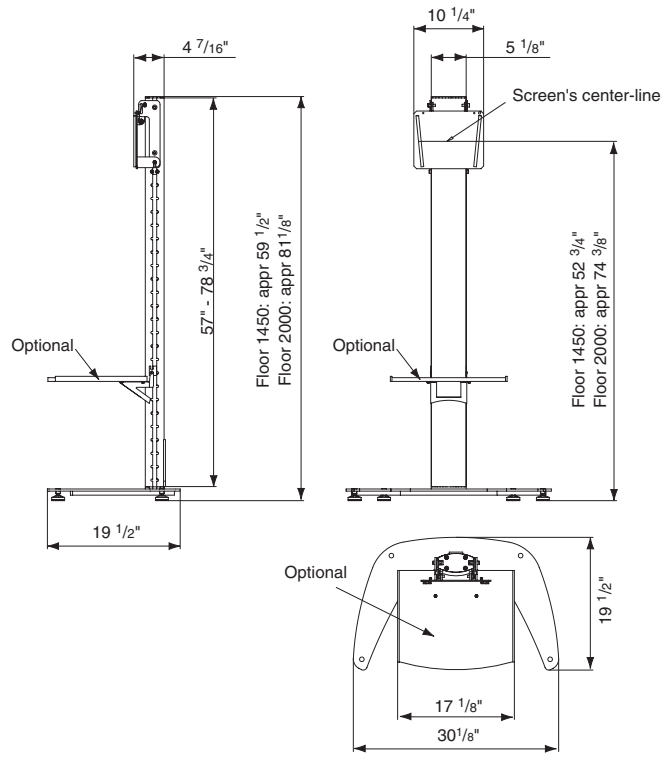
DRAPER



Aero Floor Stands—Parts List

A. Aluminum Pillar	1	
B. Floor Stand	1	
C. Adapter Plate complete	1	
D. Upper Lid	1	
E. M6 x 10 countersunk screws	4	
F. M8 x 20 screws	8	
G. Washer	4	
H. Plastic Caps	4	
I. M 10 x 16 level feet	4	
J. Covers	4	
K. Caps	4	
L. Washer AZ 8,4	4	
M. Plastic Cover	4	
N. Allen Key 4,8	2	
O. Shelf (optional)		
P. Shelf bracket (optional)		
Q. Lock device (optional)		
R. Countersunk screws (optional)		

Dimensions



Made in Sweden by Smart Media Solutions, a wholly-owned subsidiary of Draper, Inc.