

Installation Instructions

Aero T4 Ceiling Mount for Single Plasma Displays by Draper

Caution

- ① Do not dismantle the ceiling plate.
- ② Installer must make sure plasma display mount is positively and securely attached, and that fasteners appropriate to materials are used.
- ③ Before installing, check to make sure all parts of the mount are there.
- ④ Assembly hardware is included; fasteners for attaching mount to ceiling are not included.
- ⑤ Make sure all screws and bolts are tightened before allowing Mount to bear the full weight of the plasma display.
- ⑥ At least two people are required to assemble and mount this product.
- ⑦ All assembly screws require Allen wrench (included).

Please Note: For a complete parts and hardware list, see page 2.

Assembly/Installation

- ① Use the ceiling plate to mark out four holes for the ceiling bolts. Drill holes ($\frac{3}{8}$ " (see diagram on back page for dimensions).
- ② **For standard ceilings go to step 3.** For suspended or high structural ceilings, determine required height and assemble extension column (See Fig. 1).
- ③ If ceiling plate will be visible, a plastic lid is provided to hide plate. Slide plastic lid onto extension column.

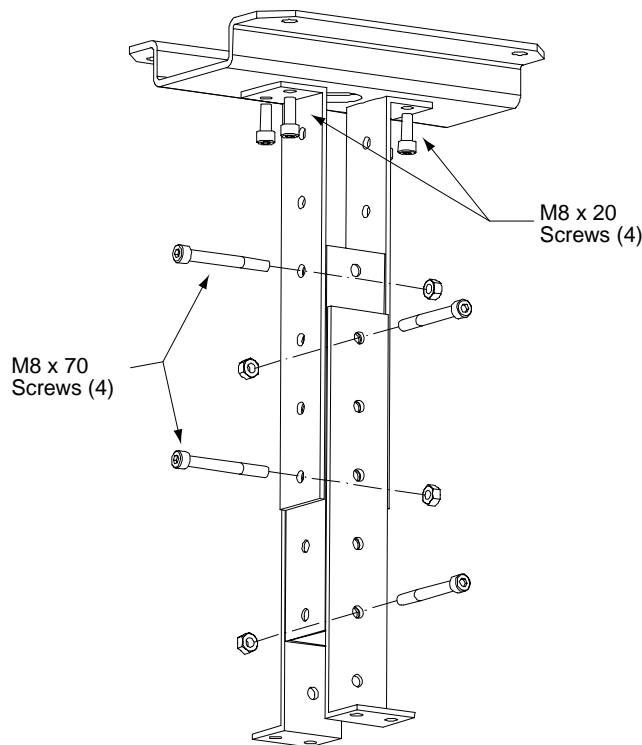


Figure 1

- ④ Connect standard column or extension column to ceiling plate (see Fig. 1).
- ⑤ Fasten fixture to ceiling (see Fig. 2). (NOTE: Do not forget to use washers when attaching fixture and lid.) If necessary, adhere plastic ceiling plate cover to ceiling using double-sided tape.

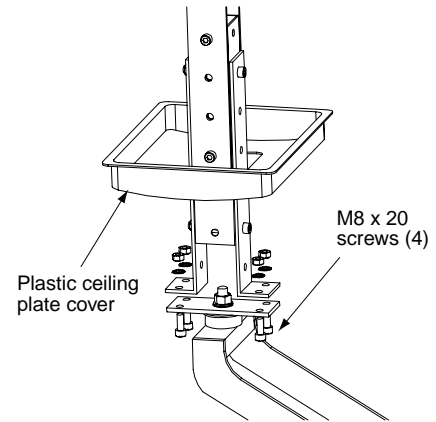


Figure 2

- ⑥ Attach universal plasma or plasma specific bracket to monitor using enclosed screws and washers (see separate instruction sheet).
- ⑦ Hook adapter plate onto M8 x 20 screws on side fittings. Make sure washers are tight against the fittings. Fasten screws, making sure that washers are between the plates (see Fig. 3). Use holes appropriate to screen size (see Fig. 6, page 2).

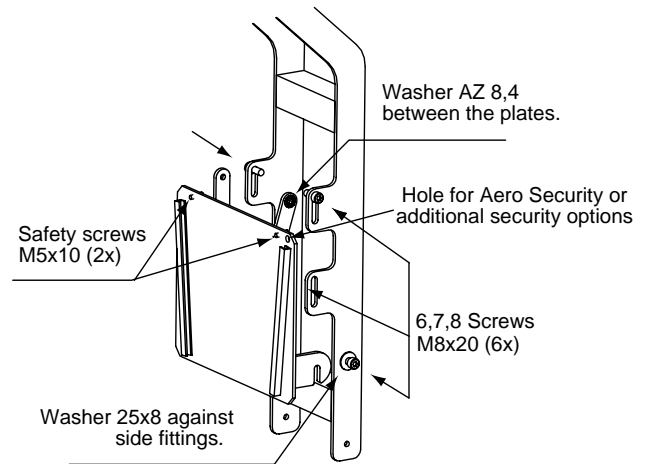


Figure 3

- ⑧ PLEASE NOTE: This step requires two people. Hook display with bracket onto the adapter plate (see Fig. 4). Tilt display to desired position and re-tighten all screws. Lock the plasma bracket by turning the M5 x 10 safety screws toward the display. Cover the bolt heads with plastic covers (see Fig. 3).

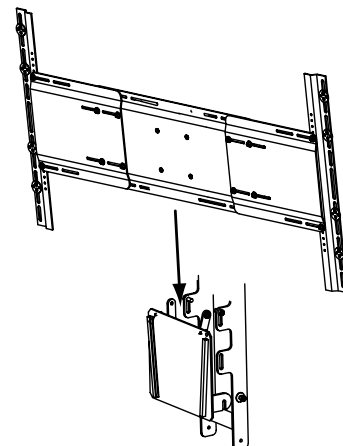


Figure 4

DRAPER

Mounting Plasma Displays of Different Sizes

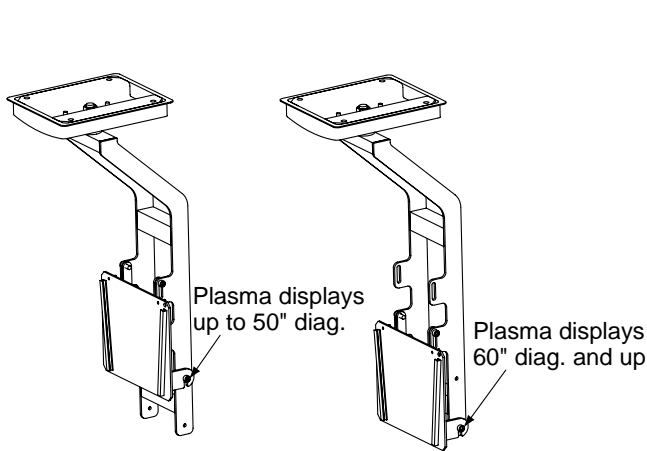
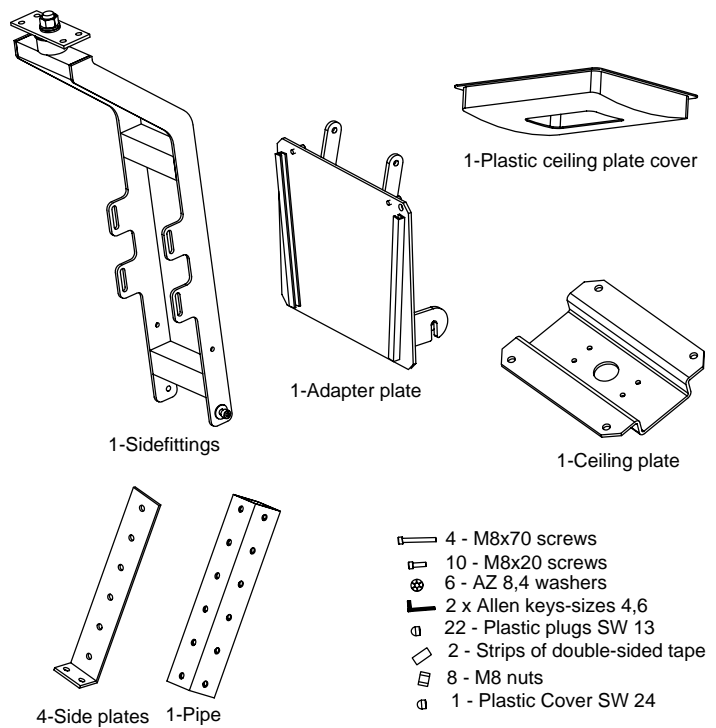


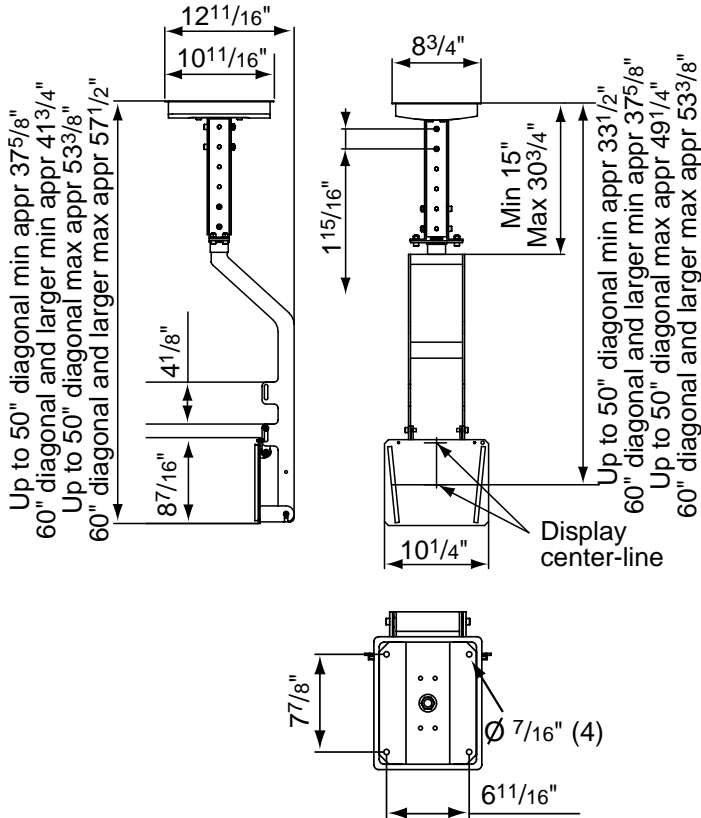
Figure 6

T4 Parts List

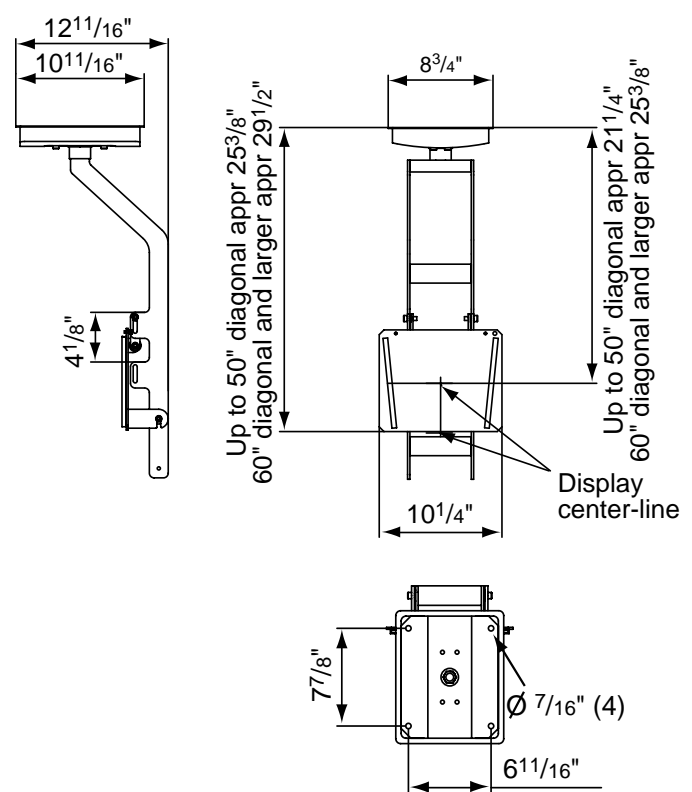


Dimensions

With Extension Bracket for suspended/high ceilings



Without Upper Extension Bracket



Made in Sweden by sms safe brackets ab, a wholly-owned subsidiary of Draper, Inc.