

Installation Instructions

Aero V4 Wall Mount for Single Plasma Displays by Draper

Caution

- ① Installer must make sure plasma display mount is positively and securely attached, and that fasteners appropriate to materials are used.
- ② Before installing, check to make sure all parts of the mount are there.
- ③ Assembly hardware is included; fasteners for attaching mount to wall are not included.
- ④ Make sure all screws and bolts are tightened before allowing mount to bear the full weight of the plasma display.
- ⑤ At least two people are required to assemble and mount this product.
- ⑥ All assembly screws require Allen wrench (included).

Please Note: For a complete list of hardware and parts, see page 2.

Installation

- ① Use wall bracket to mark off and drill attachment holes in wall.
- ② Mount wall bracket. Make sure bracket is vertically level (See Fig. 1).

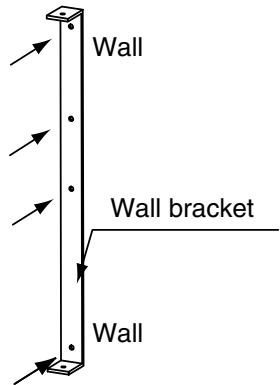


Figure 1

- ③ Attach V4 horizontal arm and side fittings to swivel bar using provided M10 x 55 screws (See Fig. 2). Make sure screws are secure.

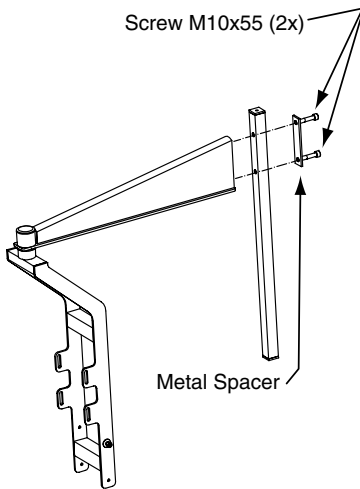


Figure 2

- ④ PLEASE NOTE: This step requires two people: one to hold the swivel assembly, and one to attach the assembly to the wall bracket, using U-brackets, M8 x 30 screws and plastic washers provided (See Fig. 3).

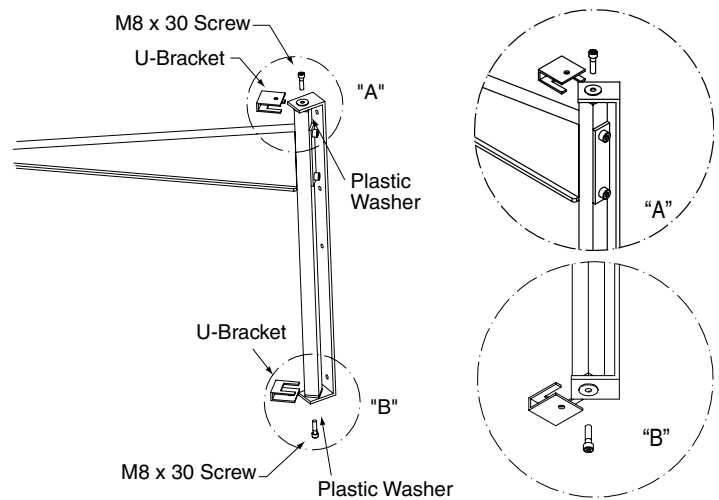


Figure 3

- ⑤ Attach universal plasma or plasma specific bracket to monitor using enclosed screws and washers (see separate instructions).
- ⑥ Hook adapter plate onto M8 x 20 screws on side fittings. Make sure washers are tight against the fittings. Fasten screws, making sure that washers are between the plates (see Fig. 4). Use holes appropriate to screen size (see Fig. 6, page 2).

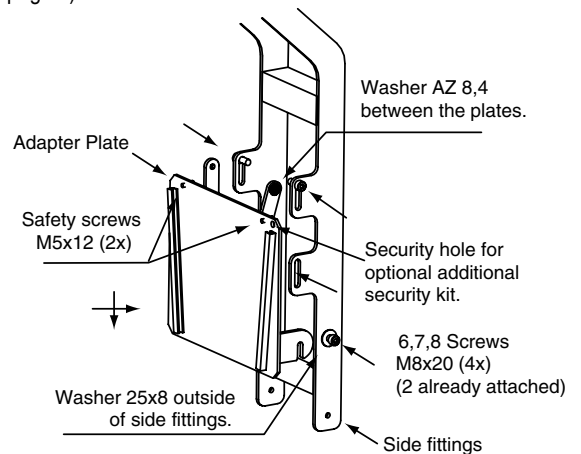


Figure 4

- ⑦ PLEASE NOTE: This step requires two people. Hook monitor with bracket onto the adapter plate (see Fig. 5). Tilt monitor to desired position and re-tighten all screws. Lock the plasma bracket by turning the M5 x 12 screws toward the monitor. Cover the bolt heads with plastic covers (see Fig. 4).

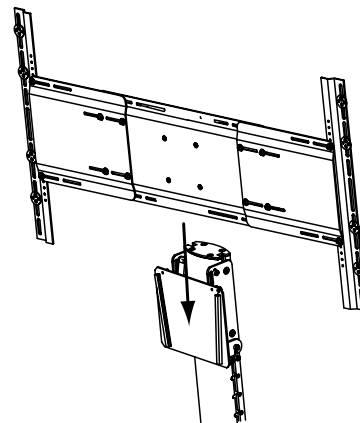


Figure 5

DRAPER

Mounting Plasma Displays of Different Sizes

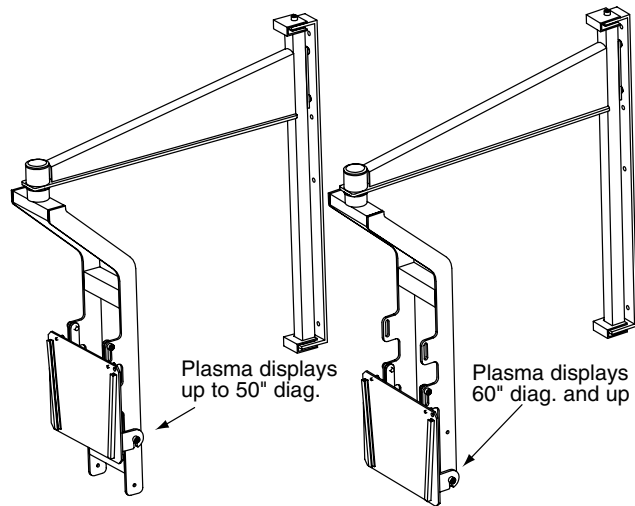
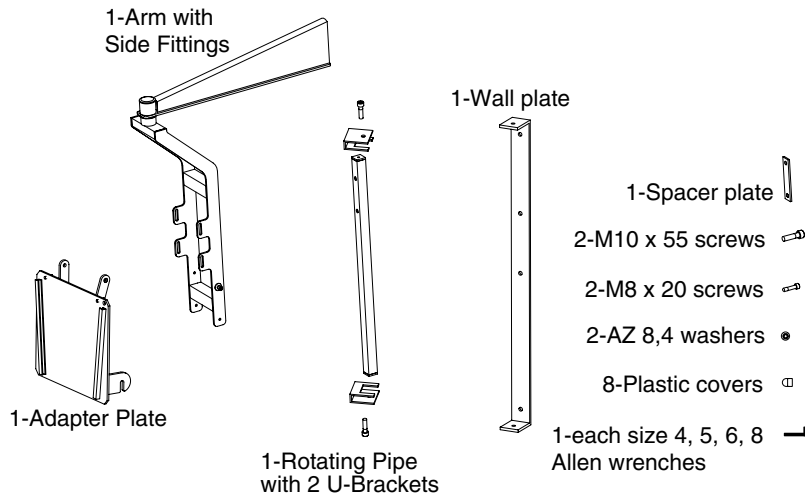
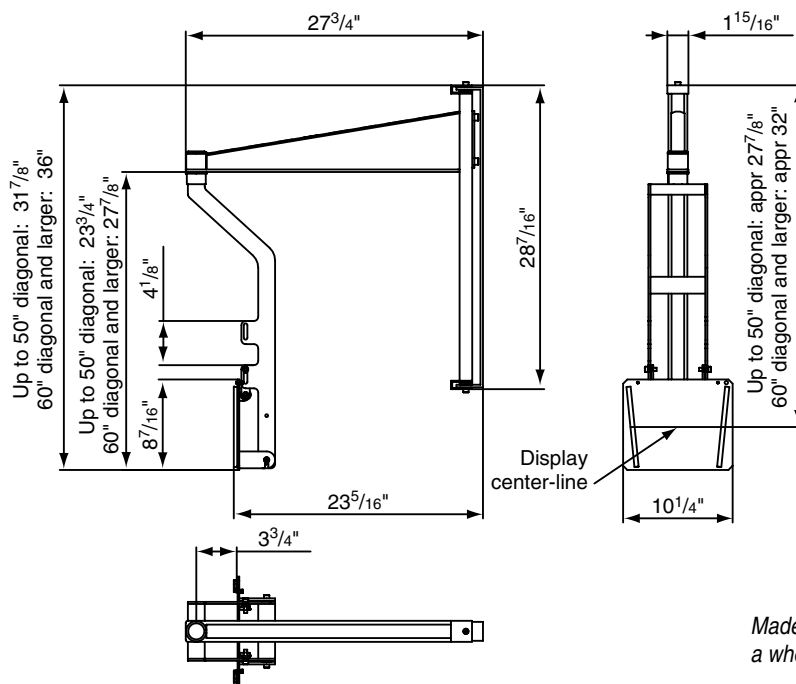


Figure 6

V4 Hardware and Parts List



Dimensions



Made in Sweden by sms safe brackets ab, a wholly-owned subsidiary of Draper, Inc.