

JOB NAME

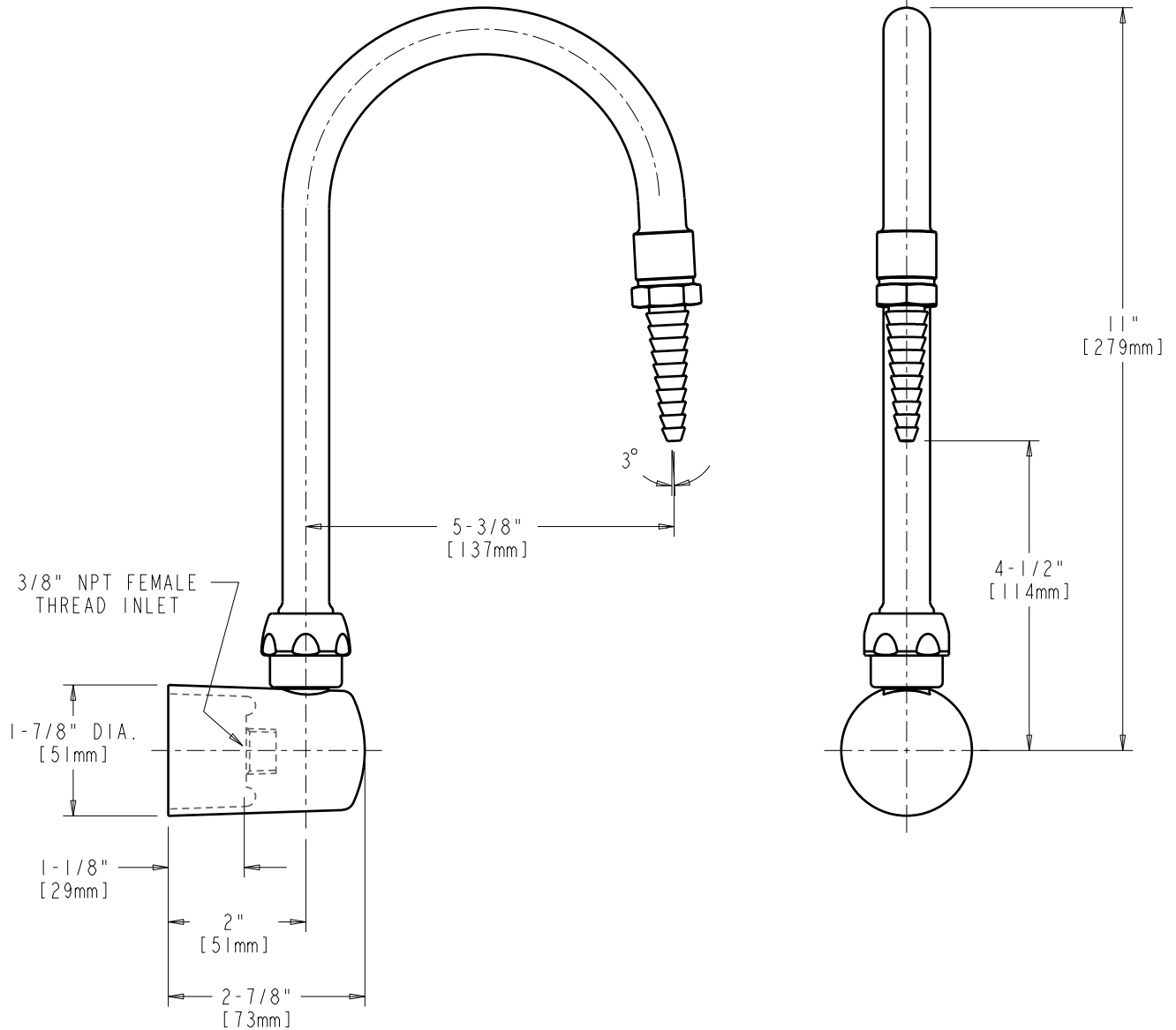
ITEM NO.

SUBMITTED AS SHOWN

SUBMITTED AS NOTED

SEE ATTACHED FOR
 SUBMITTED MODIFICATION

ROUGHING IN DIMENSIONS MAY VARY AND ARE SUBJECT TO CHANGE. NO RESPONSIBILITY IS ASSUMED FOR USE OF SUPERCEDED OR VOIDED DATA.



TECHNICAL DATA

- WALL MOUNTED REMOTE CONTROL UPPER ASSEMBLY
- GN2B RIGID/SWING GOOSENECK SPOUT
- E7 REMOVABLE SERRATED HOSE NOZZLE
- FINISH: CHROME PLATE

- ASME A112.18.1M
- CSA B125

DATE: 5-22-02

BY: JAR

CHK'D:

APP'D:

REV: A

980-GN2BE7