

PARTS LIST

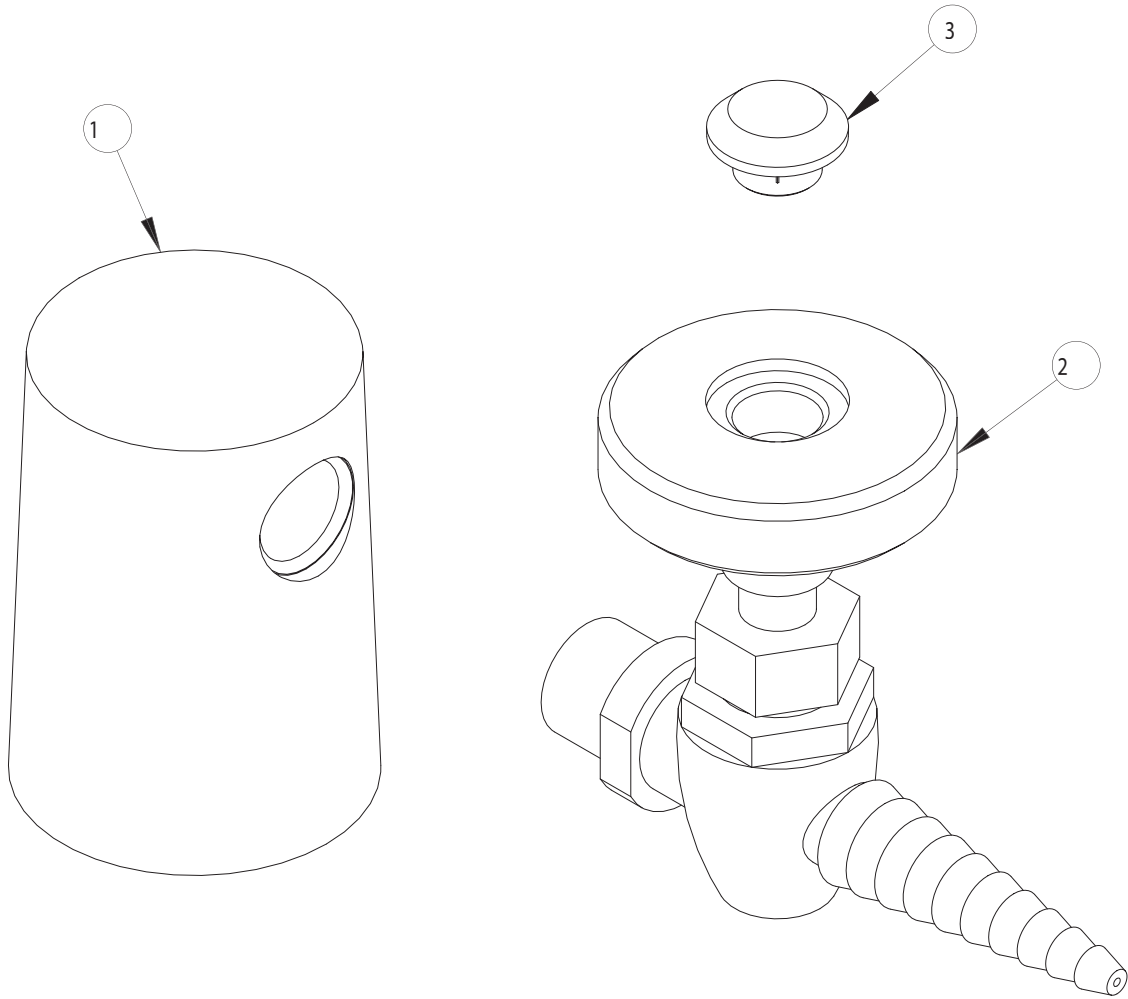
BY: SID
CHK'D:



FINISH:
DATE:

AS SPECIFIED
10-31-01

980-901BAGV



ITEM NO.	PART NO.	DESCRIPTION
1	980	TURRET, SINGLE OUTLET
2	937-003	WHEEL HANDLE
3	216-PP	PRE-PACK AIR, GAS, VAC