

JOB NAME

ITEM NO.

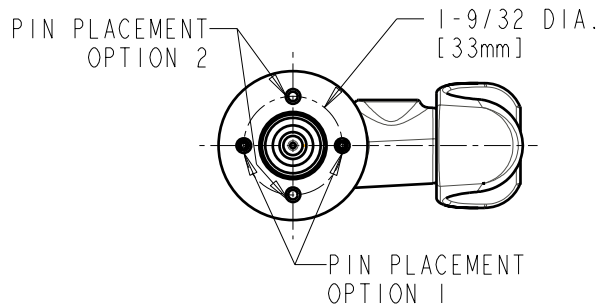
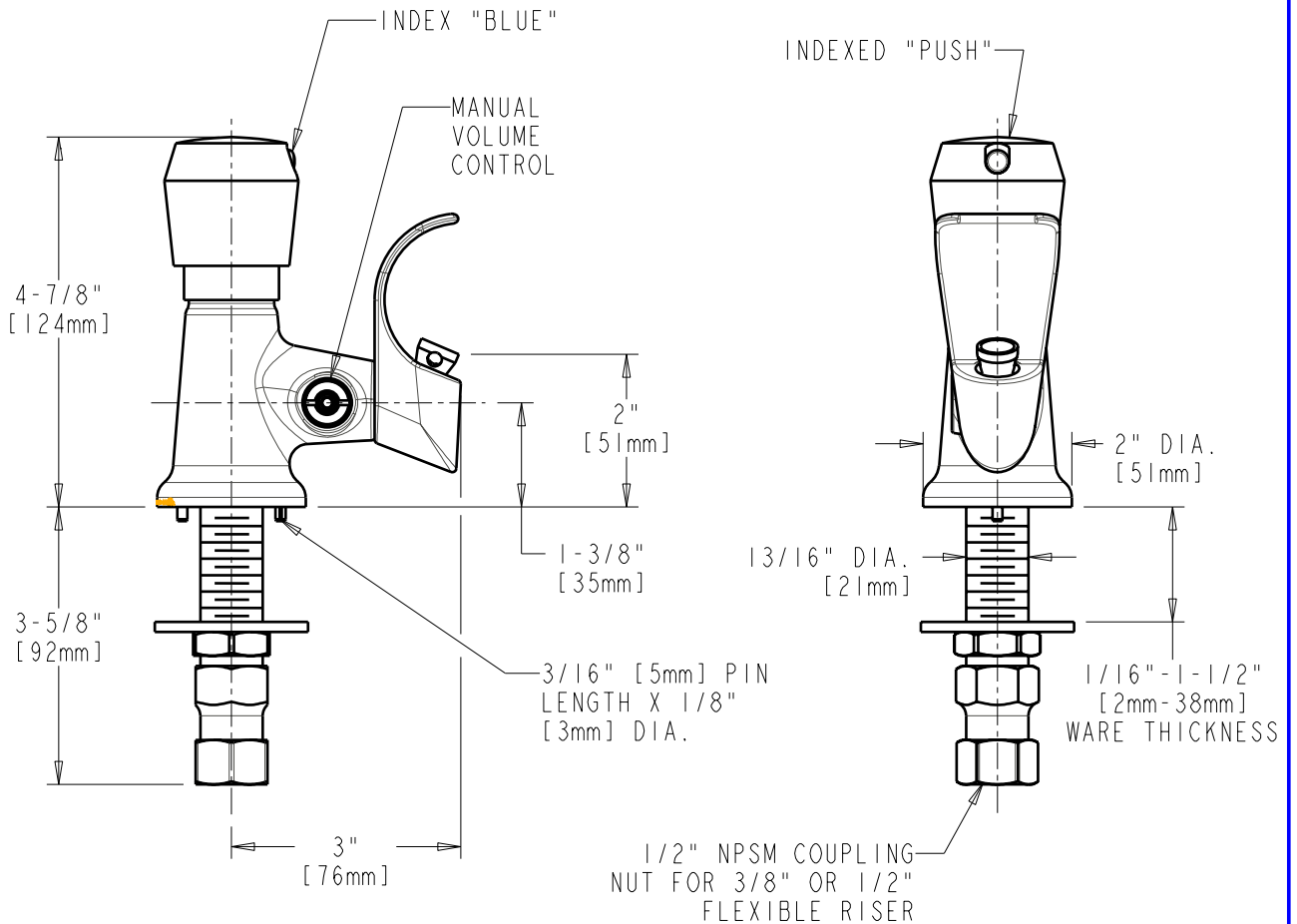
SUBMITTED AS SHOWN

SUBMITTED AS NOTED

SEE ATTACHED FOR
SUBMITTED MODIFICATION



ADA COMPLIANT



TECHNICAL DATA

- BRASS HEAD DRINKING FOUNTAIN
- 665 PUSH BUTTON HANDLE
- MVP METERING CARTRIDGE
- MANUAL VANDAL RESISTANT VOLUME CONTROL
- ANTI-ROTATING PINS
- FINISH: CHROME PLATE

- 0.7 GPM (2.6 L/MIN.) FLOW CONTROL
- ASME A112.18.1M COMPLIANT
- CSA B125 COMPLIANT
- NSF 61 COMPLIANT

DATE: 11-29-06

BY: JAR

CHK'D:

APP'D:

REV:

748-665

ROUGHING IN DIMENSIONS MAY VARY AND ARE SUBJECT TO CHANGE. NO RESPONSIBILITY IS ASSUMED FOR USE OF SUPERCEDED OR VOIDED DATA.