

FITTING NO.

986

SUBMITTED MODEL NO.

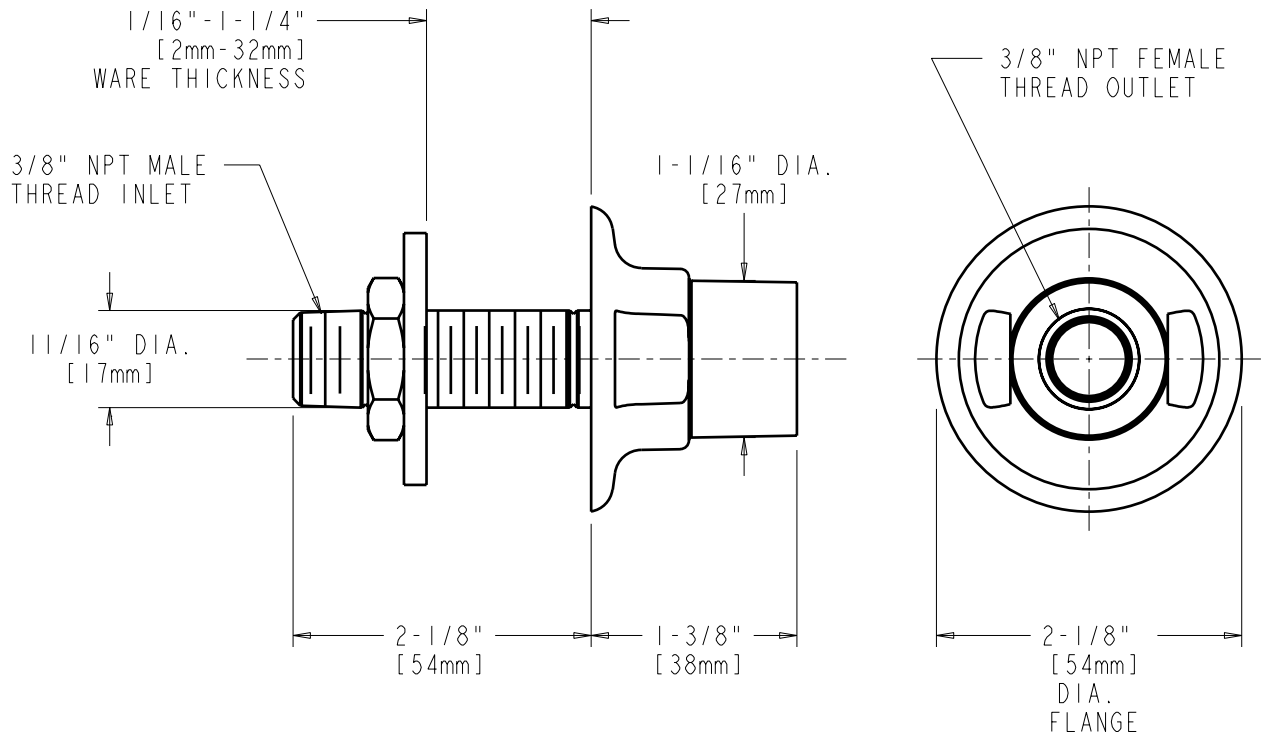
JOB NAME

ITEM NO.

SUBMITTED AS SHOWN

SUBMITTED AS NOTED

SEE ATTACHED FOR
 SUBMITTED MODIFICATION



TECHNICAL DATA

- WALL FLANGE AND INLET SHANK
- SHANK ASSEMBLY
- FINISH: CHROME PLATE

DATE: 5-20-02

BY: JAR

CHK'D:

APP'D:

REV: A

986

ROUGHING IN DIMENSIONS MAY VARY AND ARE SUBJECT TO CHANGE. NO RESPONSIBILITY IS ASSUMED FOR USE OF SUPERCEDED OR VOIDED DATA.