

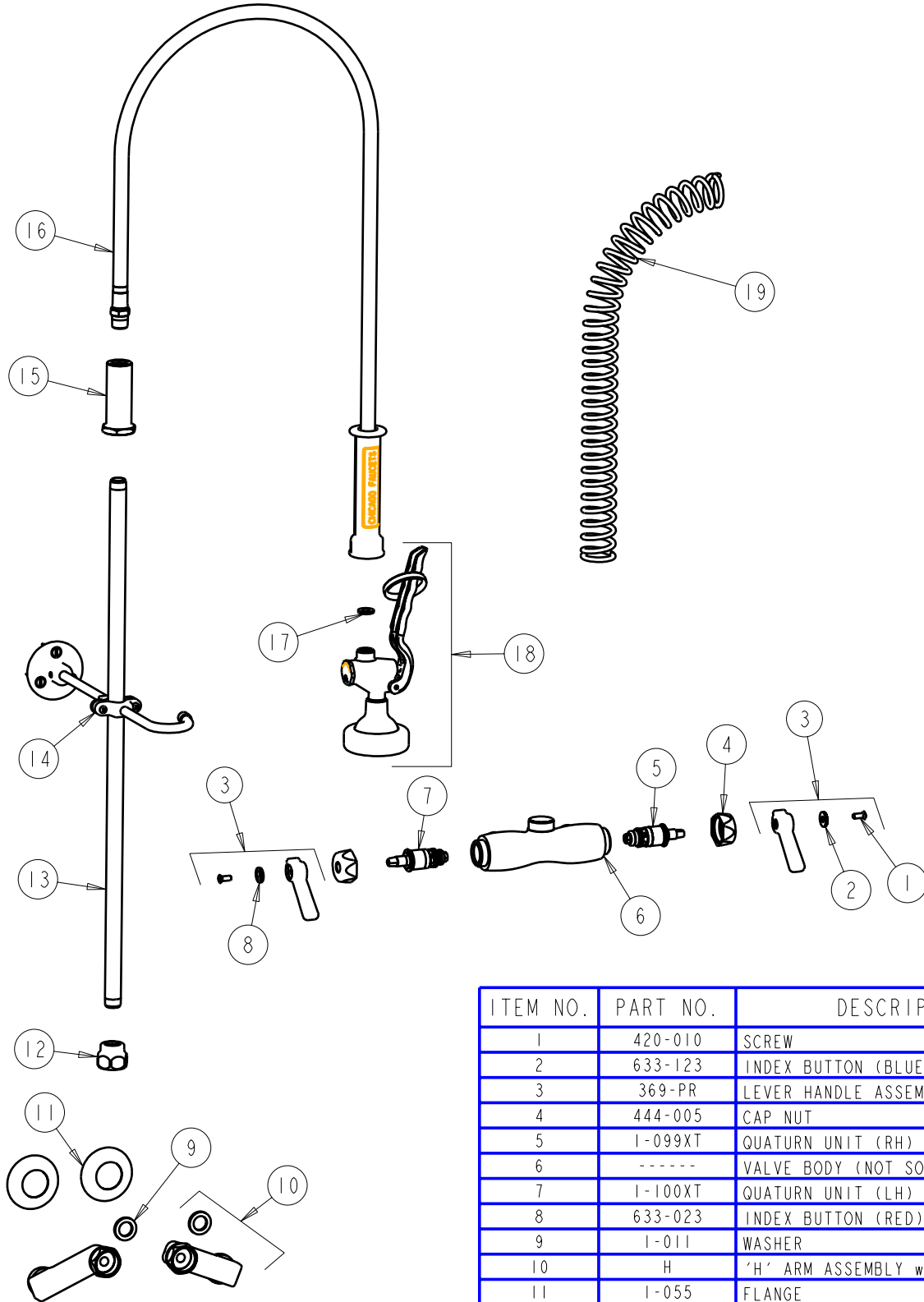
PARTS LIST

BY: JAR
CHK'D:



FINISH: AS SPECIFIED
DATE: 8-15-05
REV: 10-9-06

923-L



ITEM NO.	PART NO.	DESCRIPTION
1	420-010	SCREW
2	633-123	INDEX BUTTON (BLUE)
3	369-PR	LEVER HANDLE ASSEMBLY (PAIR)
4	444-005	CAP NUT
5	1-099XT	QUATURN UNIT (RH)
6	-----	VALVE BODY (NOT SOLD SEPARATELY)
7	1-100XT	QUATURN UNIT (LH)
8	633-023	INDEX BUTTON (RED)
9	1-011	WASHER
10	H	'H' ARM ASSEMBLY w/WASHER
11	1-055	FLANGE
12	BA2	ADAPTER
13	919-039	3/8" NPT X 23" RISER
14	902-MH	PIPE STRAP AND HOOK ASSEMBLY
15	919-038	GUIDE SHANK
16	83-44	HOSE AND HANDLE ASSEMBLY
17	919-143	GASKET
18	80-L	FOR PARTS SEE 80-L
19	919-014	SPRING