

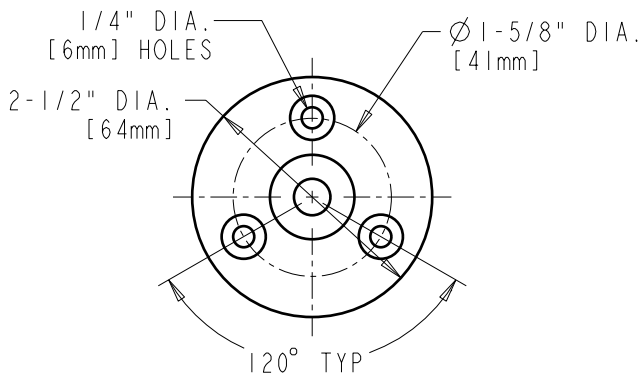
JOB NAME

ITEM NO.

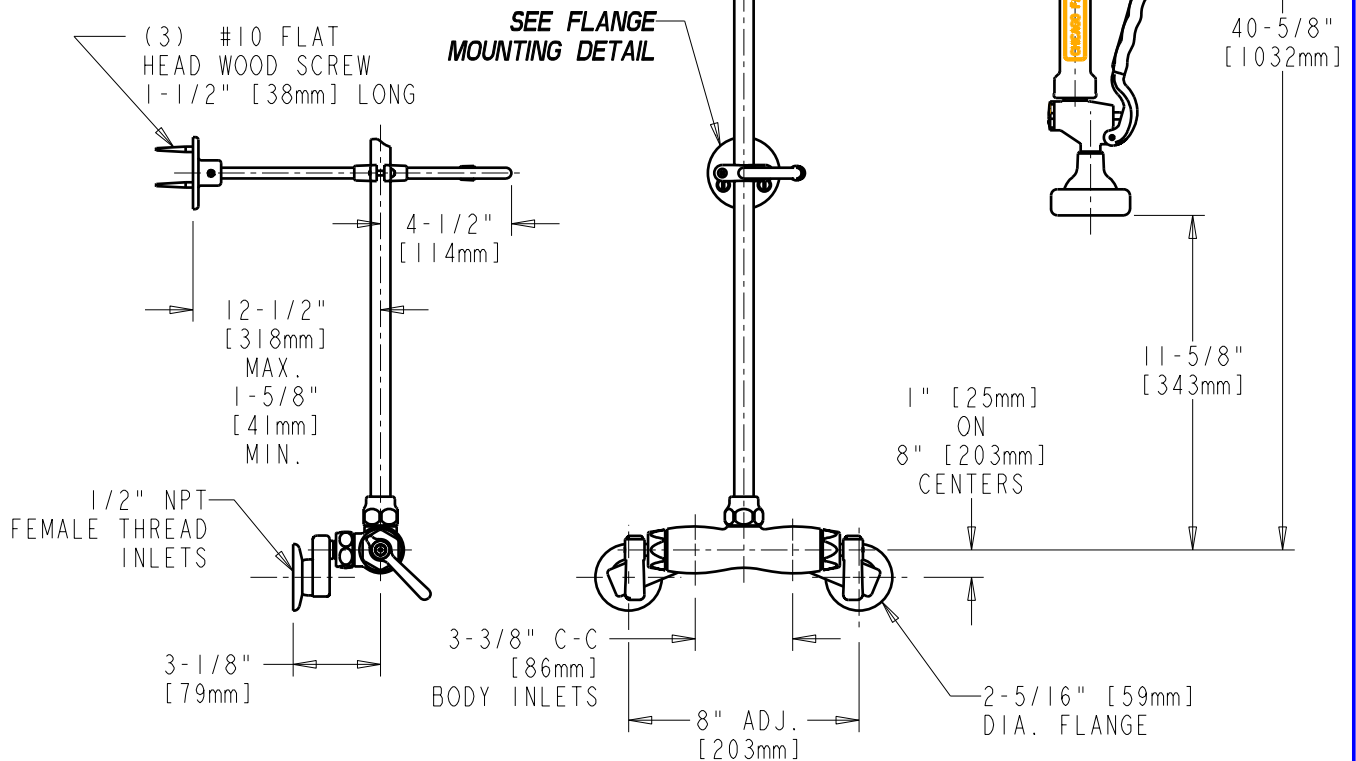
SUBMITTED AS SHOWN

SUBMITTED AS NOTED

SEE ATTACHED FOR
SUBMITTED MODIFICATION



**FLANGE MOUNTING
DETAIL**



TECHNICAL DATA

- WALL MOUNTED PRE-RINSE
- 80-L PRE-RINSE SPRAY HEAD
- 369 INDEXED LEVER HANDLES
- QUATERN OPERATING CARTRIDGES
- 'H' 2-1/2" OFFSET INLET SUPPLY ARMS
- FINISH: CHROME PLATE

- 44" STAINLESS STEEL HOSE
- 23" RISER
- INTEGRATED PIPE SUPPORT & HOOK ASSEMBLY
- ASME A112.18.1M COMPLIANT
- CSA B125 COMPLIANT

DATE: 08-15-05

BY: JAR

CHK'D:

APP'D:

REV: 10-9-06

923-L