

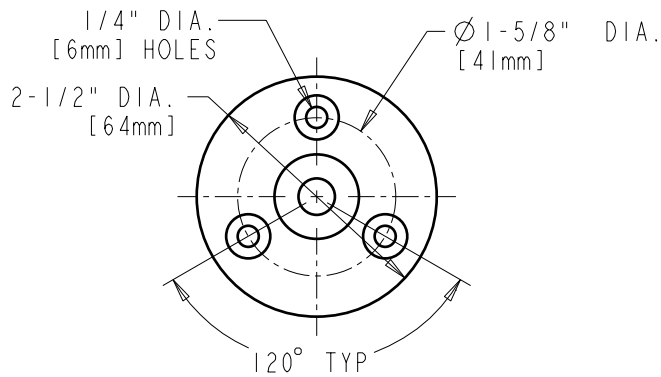
JOB NAME

ITEM NO.

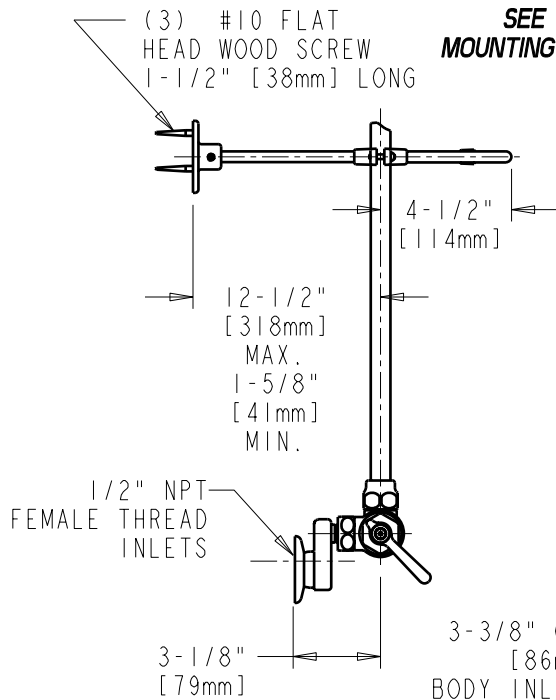
SUBMITTED AS SHOWN

SUBMITTED AS NOTED

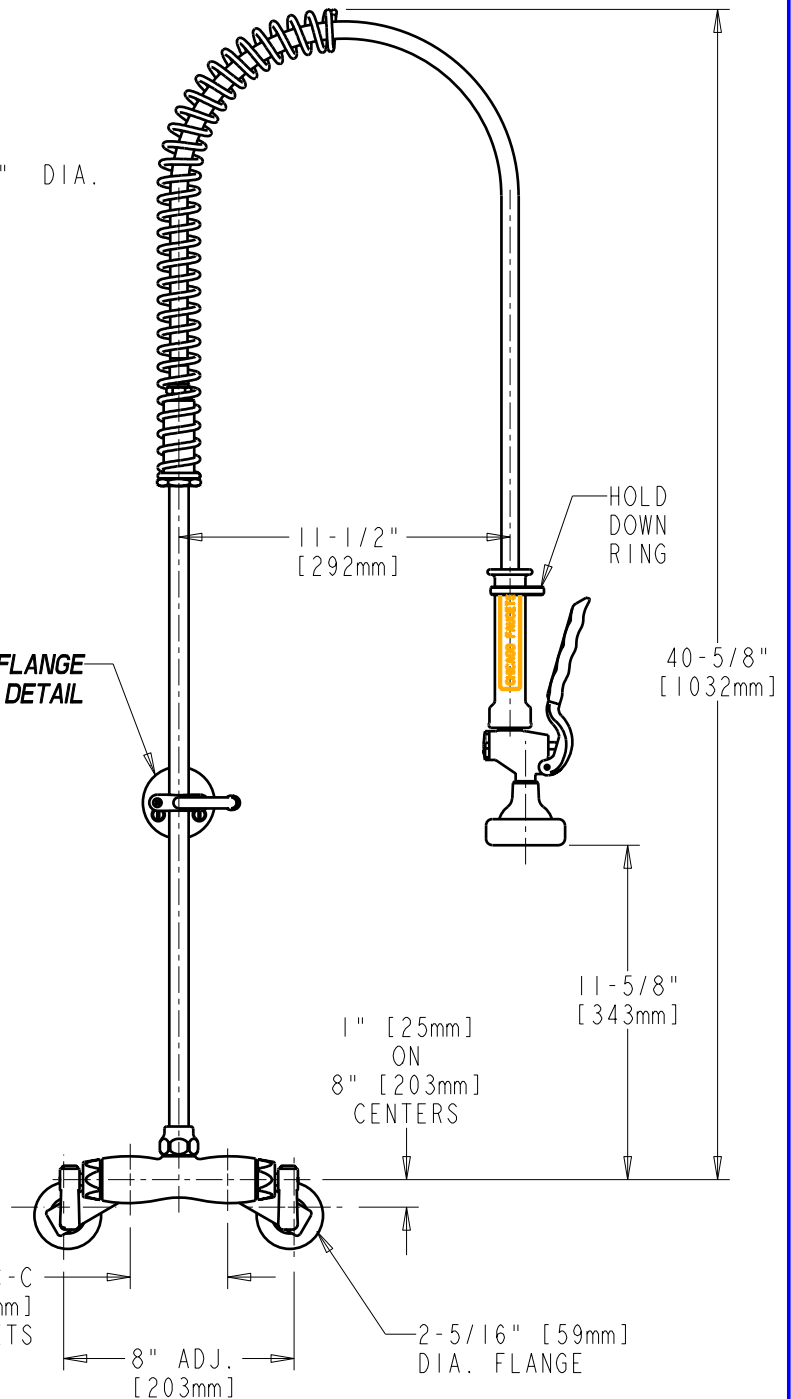
SEE ATTACHED FOR
SUBMITTED MODIFICATION



**FLANGE MOUNTING
DETAIL**



**SEE FLANGE
MOUNTING
DETAIL**



ROUGHING IN DIMENSIONS MAY VARY AND ARE SUBJECT TO CHANGE. NO RESPONSIBILITY IS ASSUMED FOR USE OF SUPERCEDED OR VOIDED DATA.

TECHNICAL DATA

- WALL MOUNTED PRE-RINSE
- 80-L PRE-RINSE SPRAY HEAD
- 369 INDEXED LEVER HANDLES
- QUATERN OPERATING CARTRIDGES
- 'HC' 2 1/2" OFFSET INLET SUPPLY ARMS WITH INTEGRAL CHECK
- FINISH: CHROME PLATE

- 44" STAINLESS STEEL HOSE
- 23" RISER
- INTEGRATED PIPE SUPPORT & HOOK ASSEMBLY
- ASME A112.18.1M COMPLIANT
- CSA B125 COMPLIANT

DATE: 10-9-06

BY: JAR

CHK'D:

APP'D:

REV:

923-HCL