

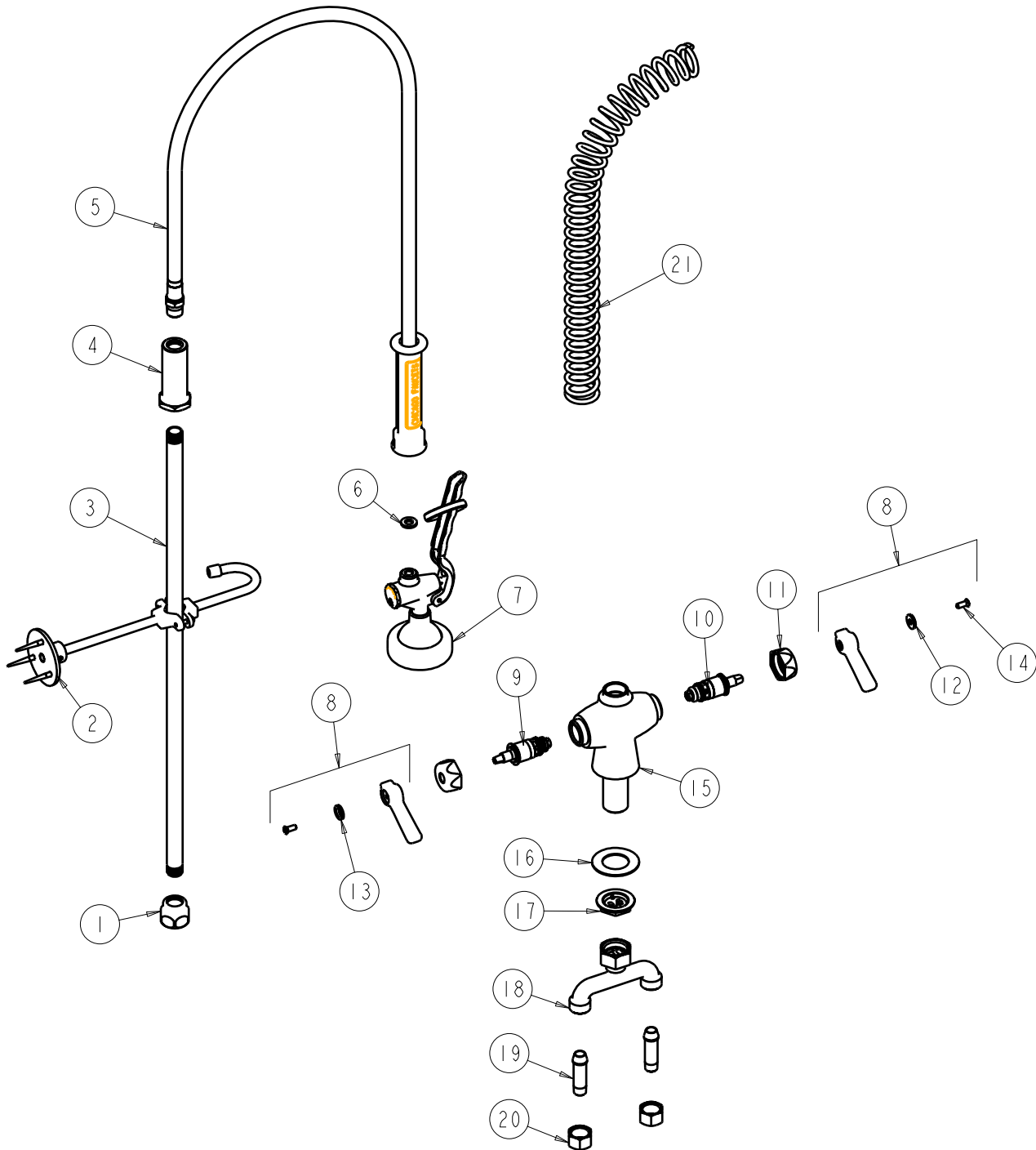
# PARTS LIST

BY: JAR  
CHK'D:



FINISH: CHROME PLATE  
DATE: 08-15-05  
REV: 08-25-06

919-L



ITEM NO.	PART NO.	DESCRIPTION	ITEM NO.	PART NO.	DESCRIPTION
1	BA2	ADAPTER	12	633-123	INDEX BUTTON (BLUE)
2	902-MH	PIPE STRAP AND HOOK ASSEMBLY	13	633-023	INDEX BUTTON (RED)
3	919-039	RISER 3/8" X 23"	14	420-010	SCREW
4	919-038	GUIDE SHANK	15	----	VALVE BODY (NOT SOLD SEPARATELY)
5	83-44	HOSE AND HANDLE ASSEMBLY	16	50-014	STEEL WASHER
6	919-143	GASKET	17	50-003	LOCKNUT
7	80-L	FOR PARTS SEE 80-L	18	50-010K	CONNECTION ASSEMBLY
8	369PR	LEVER HANDLE ASSEMBLY	19	58-018K	TAILPIECE
9	1-100XT	QUATURN UNIT (LH)	20	49-005	COUPLING NUT
10	1-099XT	QUATURN UNIT (RH)	21	919-014	SPRING
11	444-005	CAP NUT			