

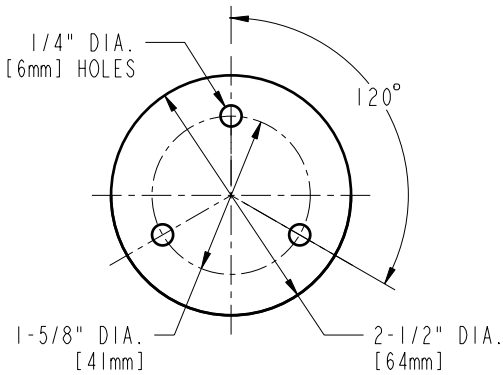
JOB NAME

ITEM NO.

SUBMITTED AS SHOWN

SUBMITTED AS NOTED

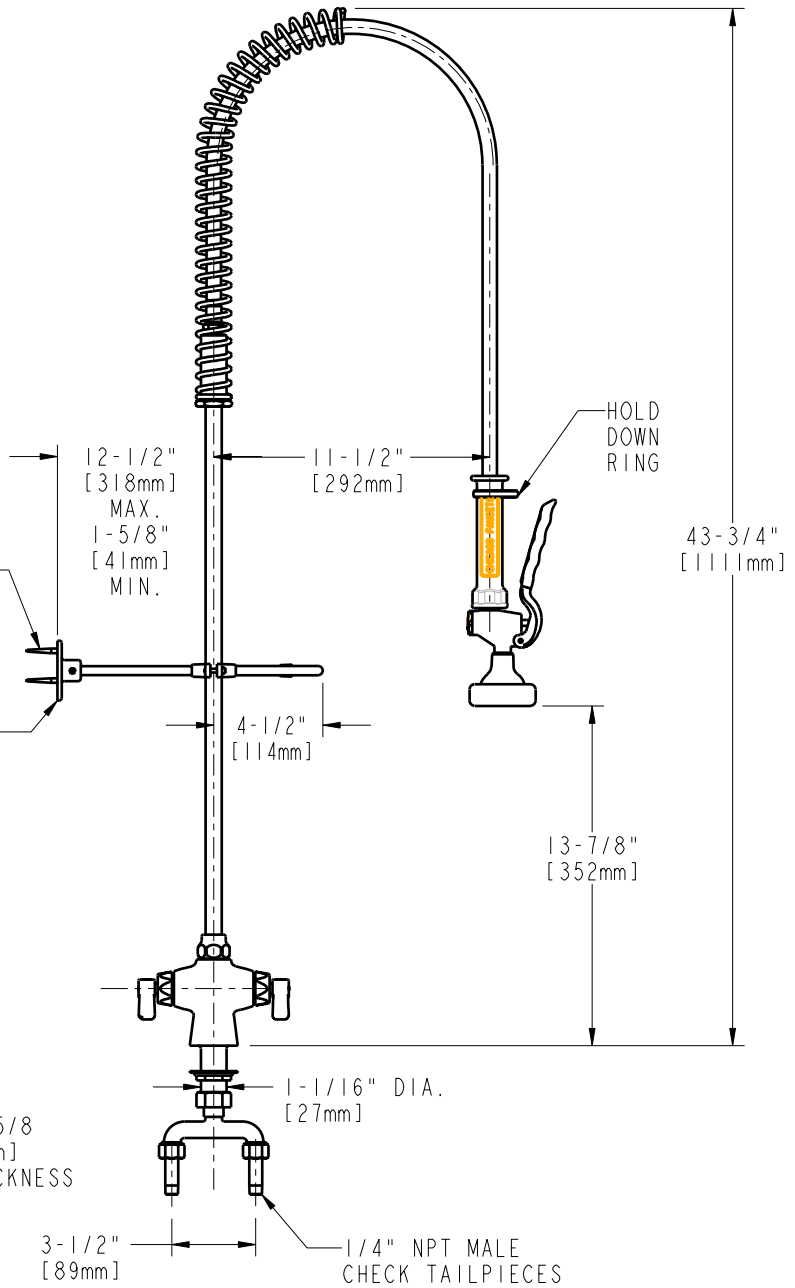
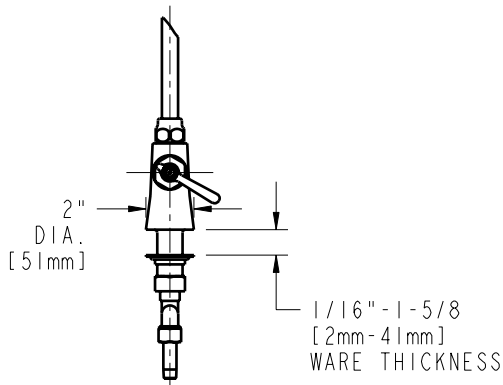
SEE ATTACHED FOR
SUBMITTED MODIFICATION



**FLANGE MOUNTING
DETAIL**

(3) #10-1-1/2" FLAT
HEAD WOOD SCREWS

SEE FLANGE
MOUNTING DETAIL



TECHNICAL DATA

- DECK MOUNTED PRE-RINSE SPRAY
- 44" STAINLESS STEEL HOSE WITH NO. 80-L SPRAY HEAD
- 369 INDEXED LEVER HANDLES
- QUARTURN OPERATING CARTRIDGES
- FINISH: CHROME PLATE

- 23" RISER
- INTEGRATED PIPE SUPPORT & HOOK ASSEMBLY
- CHECK TAILPIECES
- ASME A112.18.1M COMPLIANT
- CSA B125 COMPLIANT

DATE: 08-15-05

BY: JAR

CHK'D:

APP'D:

REV: 8-25-06

7-616

ROUGHING IN DIMENSIONS MAY VARY AND ARE SUBJECT TO CHANGE. NO RESPONSIBILITY IS ASSUMED FOR USE OF SUPERCEDED OR VOIDED DATA.