



2100 SOUTH CLEARWATER DRIVE
DES PLAINES, ILLINOIS 60018-5999

FITTING NO.

892-G

SUBMITTED MODEL NO.

JOB NAME

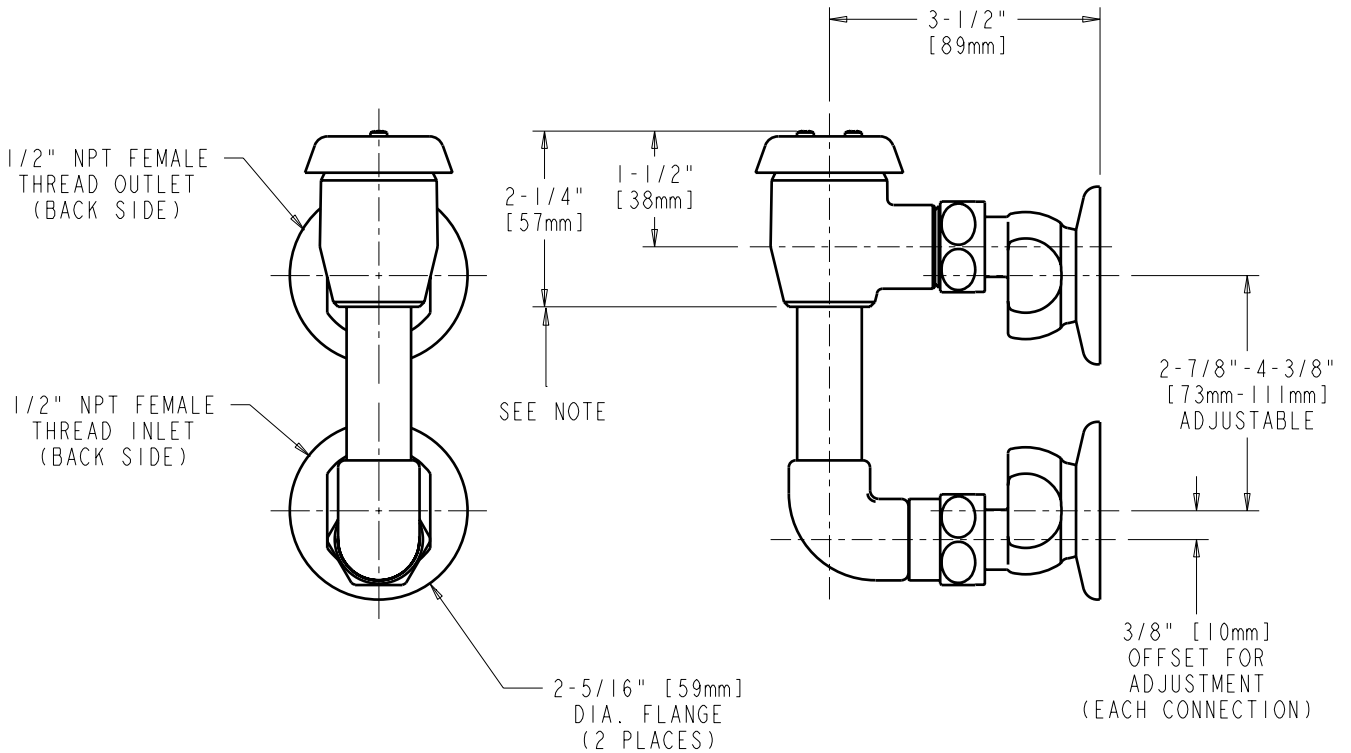
ITEM NO.

SUBMITTED AS SHOWN

SUBMITTED AS NOTED

SEE ATTACHED FOR
SUBMITTED MODIFICATION

NOTE: FOR PROPER HEIGHT OF
INSTALLATION SEE LOCAL
PLUMBING CODE REQUIREMENTS.



DIMENSIONS IN INCHES AND [MILLIMETERS].

TECHNICAL DATA

- CONCEALED PIPING ELEVATED VACUUM BREAKER ASSEMBLY
- "G" ADJUSTABLE SUPPLY ARMS
- FINISH: CHROME PLATE

- ASME A112.18.1M COMPLIANT
- ASSE 1001 COMPLIANT
- CSA B125 COMPLIANT
- NSF 61, SECTION 9

DATE: 05-21-02

BY: SID

CHK'D:

APP'D:

REV: A

892-G

ROUGHING IN DIMENSIONS MAY VARY AND ARE SUBJECT TO CHANGE. NO RESPONSIBILITY IS ASSUMED FOR USE OF SUPERCEDED OR VOIDED DATA.