

PARTS LIST

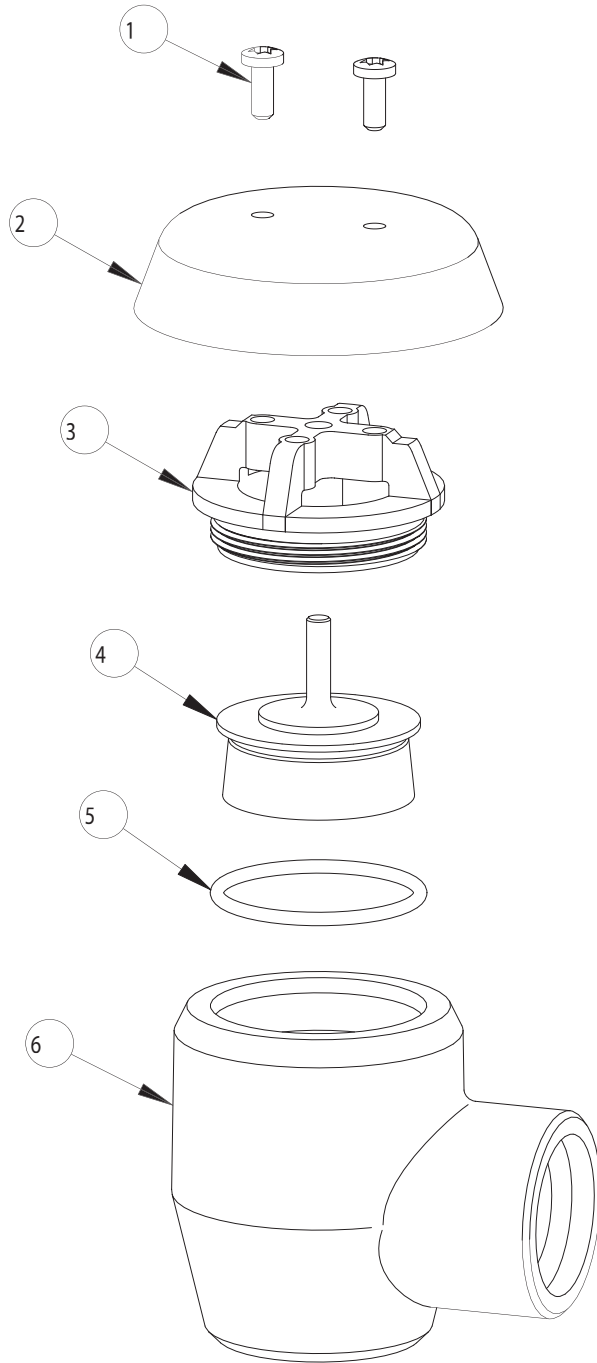
BY: SID
CHK'D:



FINISH:
DATE:

AS SPECIFIED
10-26-01

892



NOTE:
FOR REPAIR KIT ORDER MODEL
NUMBER 892-202K. KIT CONSISTS
OF PARTS 1, 3, 4 AND 5.

ITEM NO.	PART NO.	DESCRIPTION	ITEM NO.	PART NO.	DESCRIPTION
1	333-321	VACUUM BREAKER TORX SCREW	4	892-032K	VACUUM BREAKER DISC ASSEMBLY
2	892-154	VACUUM BREAKER COVER	5	80-007	O-RING
3	892-202	VACUUM BREAKER SEAT	6	-----	BODY NOT SOLD SEPARATELY