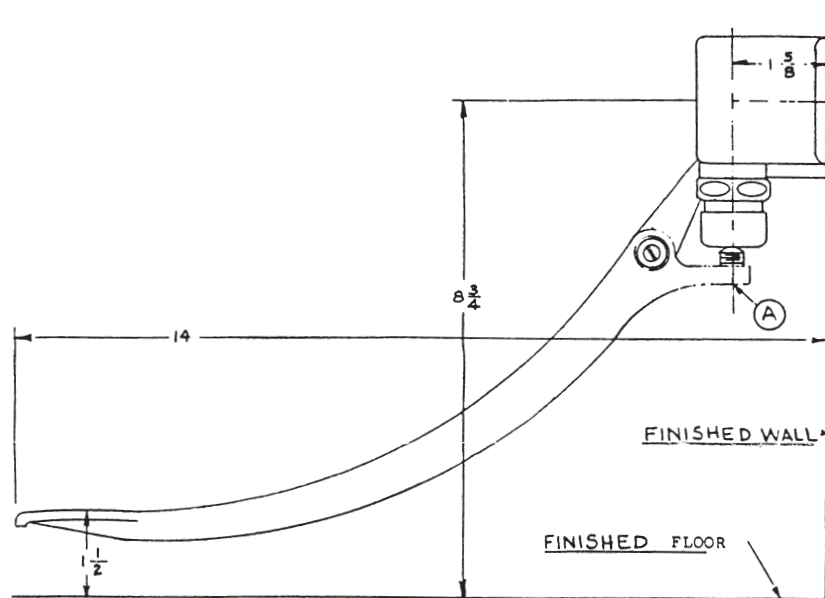


WALL TYPE PEDAL VALVE WITH EXTENDED PEDALS
FOR USE ON FITTING NOS. 834-EP and 806



INSTRUCTIONS FOR ADJUSTING PEDAL:

Pedal box to be installed to meet the 8-3/4" dimension from floor to center of screw holes as near as possible.

Adjusting screw "A" to be adjusted so top of pedal pad is 1-1/2" from floor.

T-54

THE CHICAGO FAUCET COMPANY

Rev. 2/94