

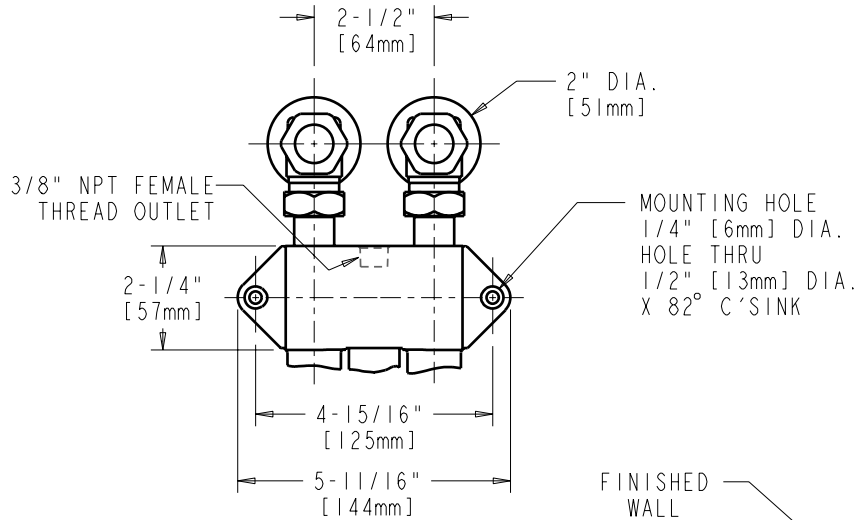
JOB NAME

ITEM NO.

SUBMITTED AS SHOWN

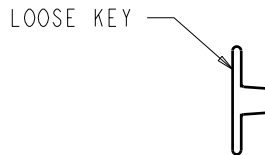
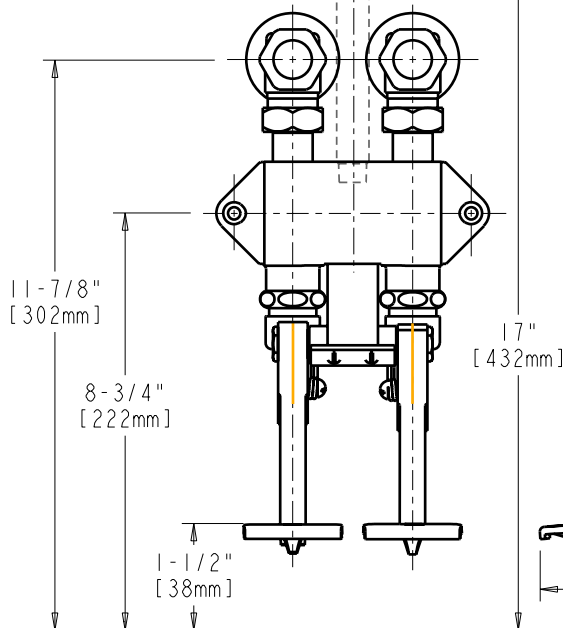
SUBMITTED AS NOTED

SEE ATTACHED FOR
SUBMITTED MODIFICATION



ALL DOTTED LINE PIPING IS SUPPLIED BY OTHERS

ROUTE PIPING BACK TO CLEAR PEDALS WHEN RAISED IN UP POSITION



LOOSE KEY

1/2" NPT FEMALE
THREAD INLET
(2 PLACES)

LOCKING FEATURE
TO KEEP PEDALS IN
A RAISED POSITION

FINISHED
WALL

1-5/8" [41mm]

1-7/16" [37mm]

ADJUSTABLE
SCREW

14" [356mm]

(FINISHED FLOOR)

TECHNICAL DATA

- WALL MOUNTED COMBINATION PEDAL VALVE
- 625X NAIAD PUSH BUTTON CARTRIDGES
- LOOSE KEY ANGLE INLET SERVICE STOPS
- EXTENDED PEDALS
- FINISH: CHROME PLATE

- ASME A112.18.1M COMPLIANT
- CSA B125 COMPLIANT
- NSF 61 COMPLIANT

DATE: 05-21-02

BY: JAR

CHK'D:

APP'D:

REV: 8-28-06

834-EP

ROUGHING IN DIMENSIONS MAY VARY AND ARE SUBJECT TO CHANGE. NO RESPONSIBILITY IS ASSUMED FOR USE OF SUPERCEDED OR VOIDED DATA.