

CHICAGO FAUCETS



2100 SOUTH CLEARWATER DRIVE
DES PLAINES, ILLINOIS 60018-5999

Last As Long As The Building

FITTING NO.

806

SUBMITTED MODEL NO.

JOB NAME

ITEM NO.

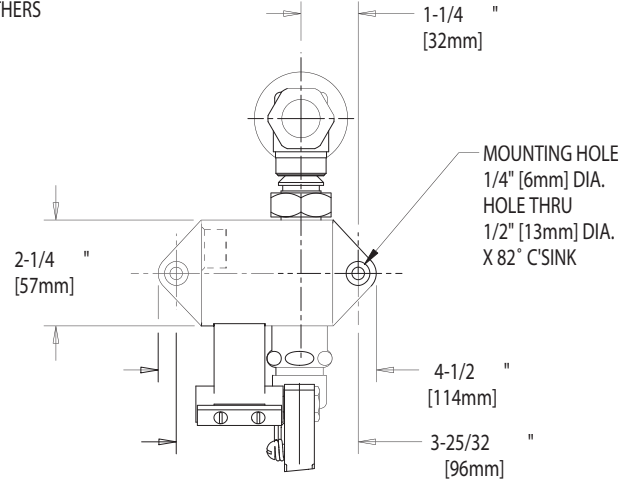
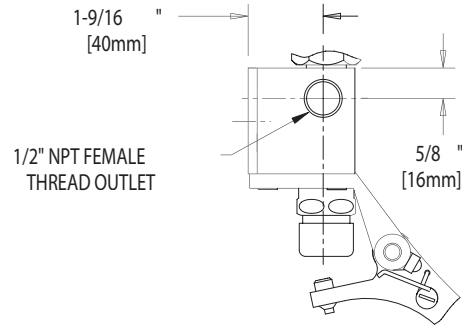
SUBMITTED AS SHOWN

SUBMITTED AS NOTED

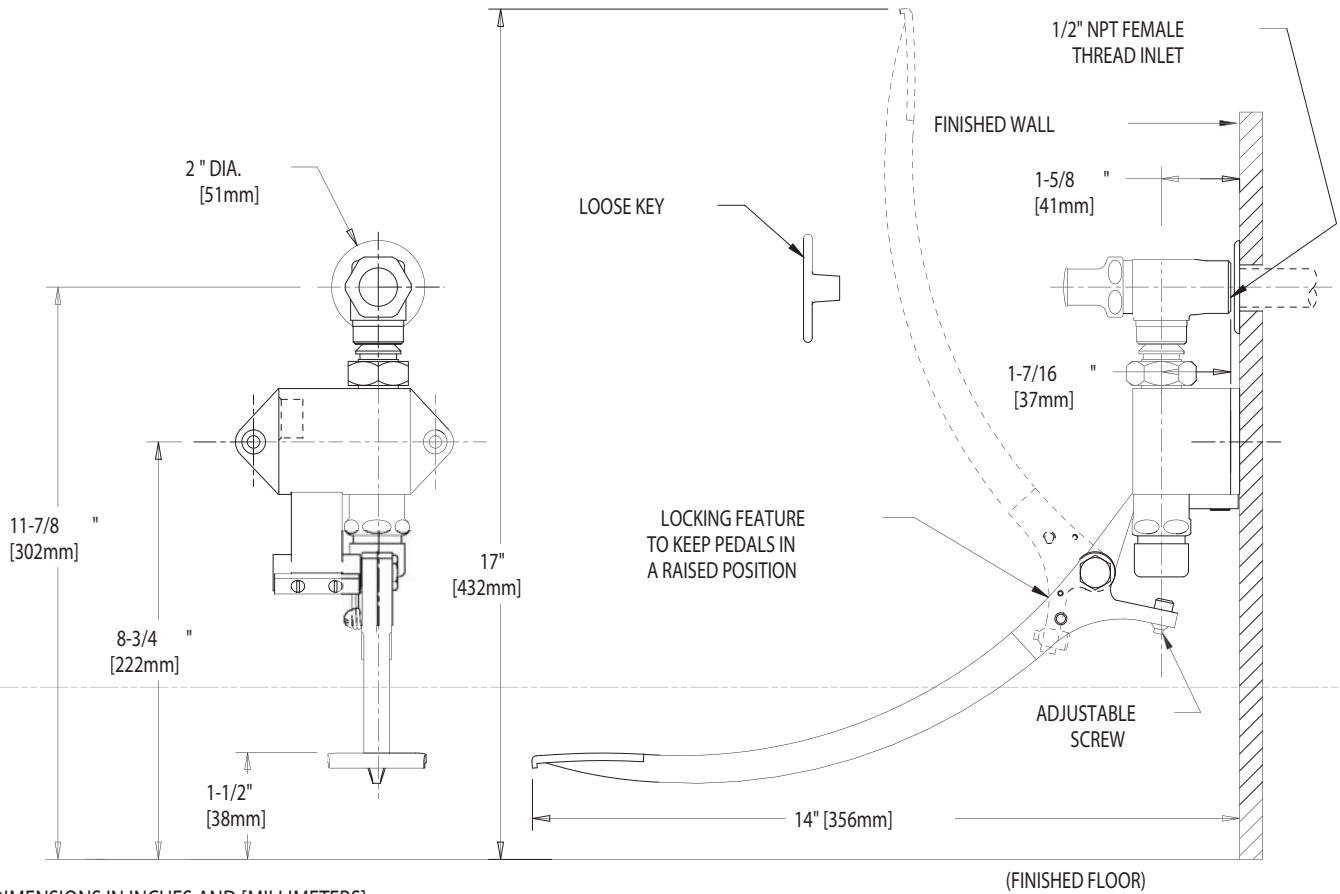
SEE ATTACHED FOR
SUBMITTED MODIFICATION

ALL DOTTED LINE PIPING
IS SUPPLIED BY OTHERS

IS ASSUMED FOR USE OF SUPERCEDED OR VOIDED DATA.



ROUGHING IN DIMENSIONS MAY VARY AND ARE SUBJECT TO CHANGE. NO RESPONSIBILITY



DIMENSIONS IN INCHES AND [MILLIMETERS].

TECHNICAL DATA

- WALL MOUNTED SINGLE PEDAL VALVE
- 625X NAIAD PUSH BUTTON CARTRIDGE
- LOOSE KEY STOP
- NAIAD SELF CLOSING CARTRIDGE
- FINISH: CHROME PLATE

- ASME A112.18.1M COMPLIANT
- CSA B125 COMPLIANT
- NSF 61, SECTION 9

DATE: 05-20-02

BY: SID

CHK'D:

APP'D:

REV: A

906