

JOB NAME

ITEM NO.

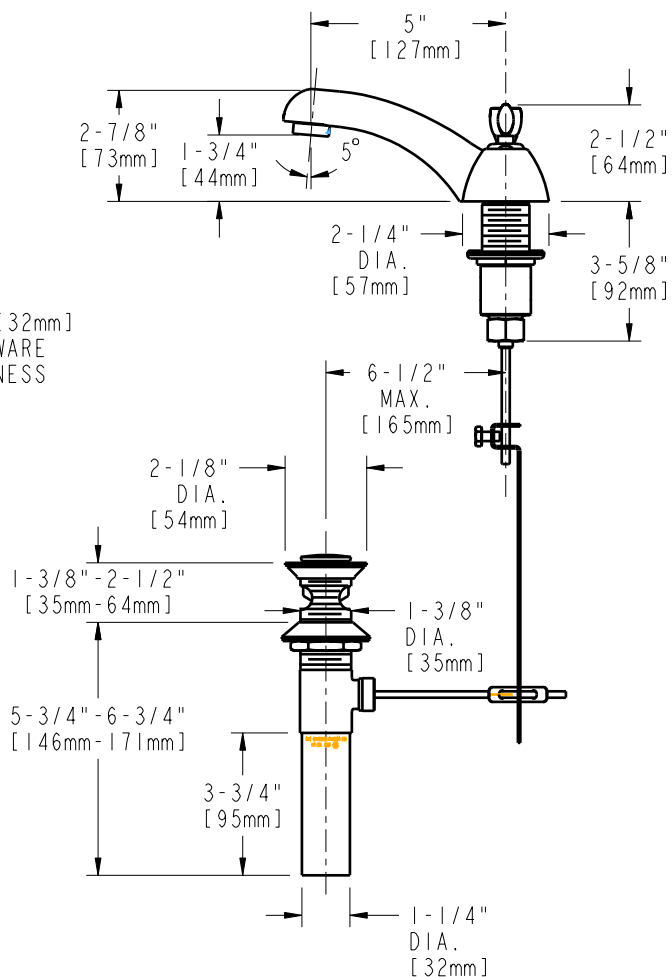
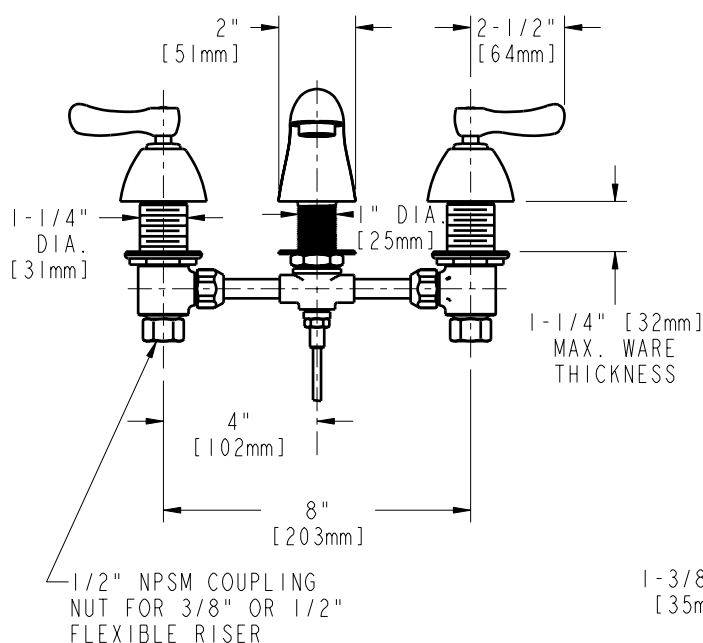
SUBMITTED AS SHOWN

SUBMITTED AS NOTED

SEE ATTACHED FOR
SUBMITTED MODIFICATION



ADA COMPLIANT



TECHNICAL DATA

- DECK MOUNTED LAVATORY FAUCET
- 5" CAST BRASS SPOUT
- 390 INDEXED LEVER HANDLES WITH VANDAL RESISTANT SCREWS
- QUARTN OPERATING CARTRIDGES
- 1-1/4" [32mm] O.D. POP-UP WASTE
- FINISH: CHROME PLATE

- E12VP VANDAL RESISTANT SOFTFLO AERATOR
- 2.2 GPM [8.3 L/min.] MAXIMUM FLOW RATE
- ANSI A112.18.1M COMPLIANT
- CSA B125 COMPLIANT
- NSF 61 COMPLIANT

DATE: 01-15-03

BY: JAR

CHK'D:

APP'D:

REV: B

746-V

ROUGHING IN DIMENSIONS MAY VARY AND ARE SUBJECT TO CHANGE. NO RESPONSIBILITY IS ASSUMED FOR USE OF SUPERCEDED OR VOIDED DATA.