

# CHICAGO FAUCETS



2100 SOUTH CLEARWATER DRIVE  
DES PLAINES, ILLINOIS 60018-5999

Last As Long As The Building

FITTING NO.

625-SLO

SUBMITTED MODEL NO.

JOB NAME

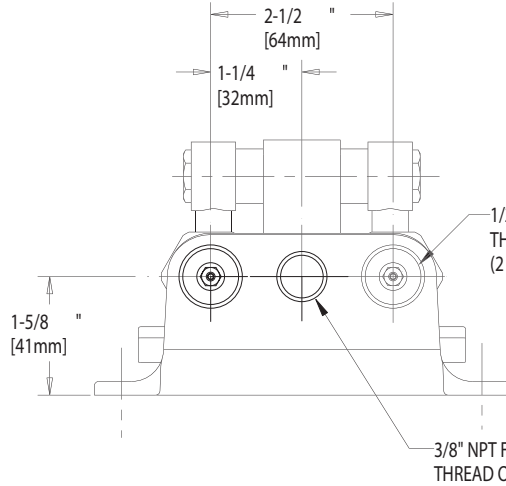
ITEM NO.

SUBMITTED AS SHOWN

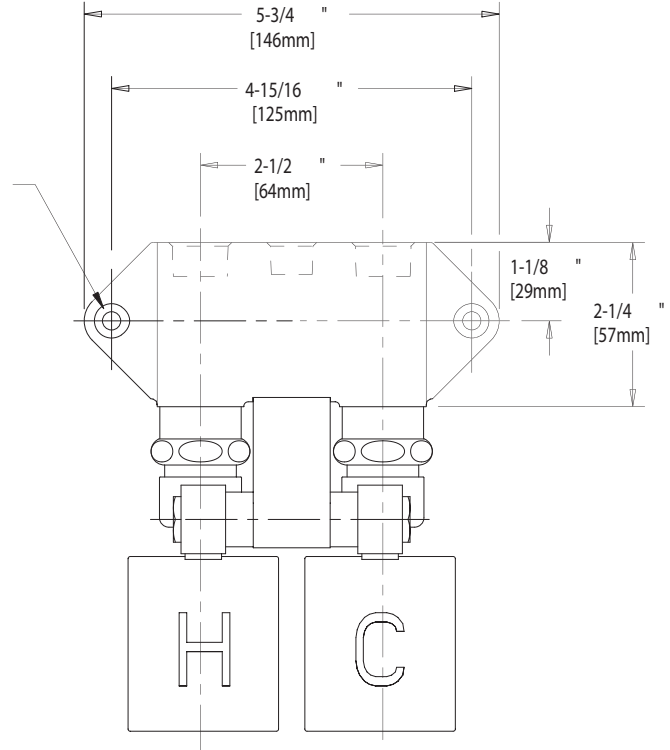
SUBMITTED AS NOTED

SEE ATTACHED FOR  
SUBMITTED MODIFICATION

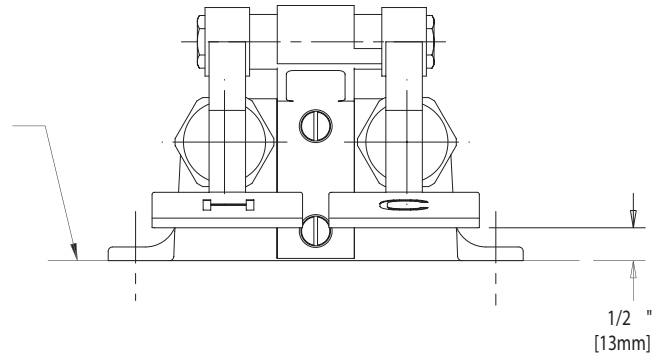
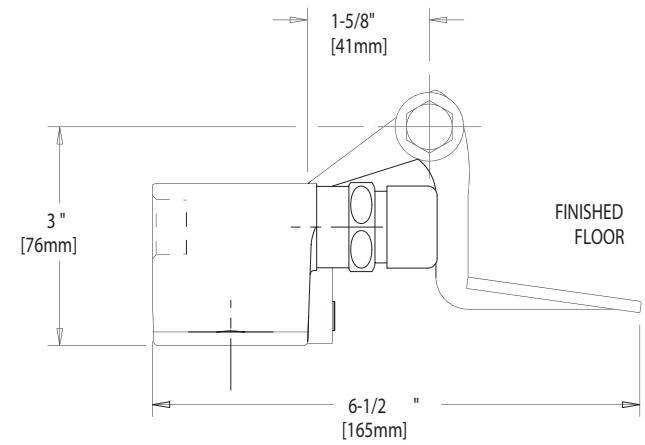
IS ASSUMED FOR USE OF SUPERCEDED OR VOIDED DATA.



BACK VIEW



ROUGHING IN DIMENSIONS MAY VARY AND ARE SUBJECT TO CHANGE. NO RESPONSIBILITY



DIMENSIONS IN INCHES AND [MILLIMETERS].

TECHNICAL DATA

- COMBINATION PEDAL VALVE
- SHORT INDEXED PEDALS
- 628XSLO NAIAD ADJUSTABLE SELF CLOSING CARTRIDGES
- FINISH: CHROME PLATE

- ASME A112.18.1M COMPLIANT
- CSA B125 COMPLIANT
- NSF 61 COMPLIANT

DATE: 04-29-02

BY: SID

CHK'D:

APP'D:

REV: A

625-SLO