

PARTS LIST

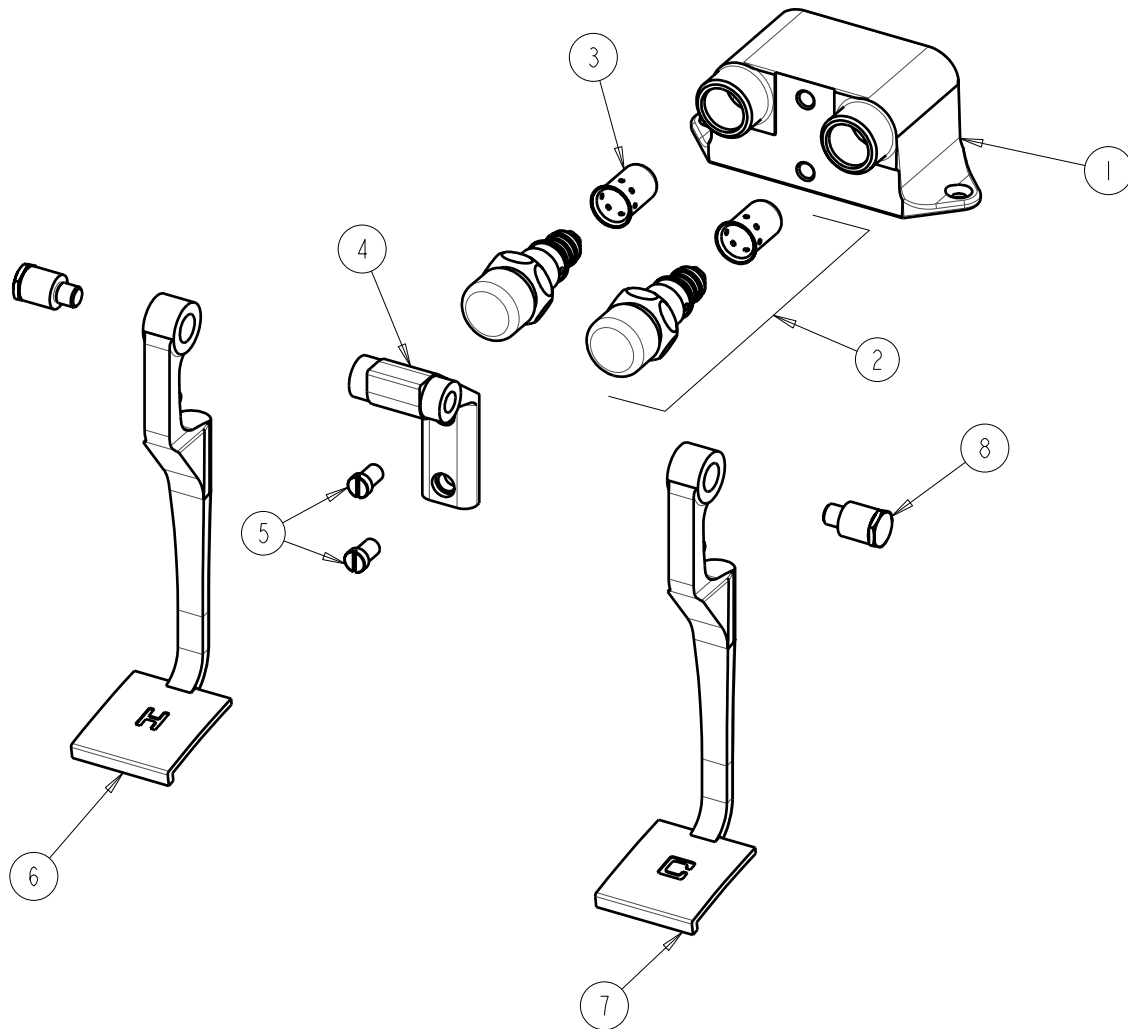
BY: SID
CHK'D:



FINISH: AS SPECIFIED
DATE: 10-04-02

625-LP

REV:



ITEM NO.	PART NO.	DESCRIPTION
1	-----	VALVE BODY (NOT SOLD SEPARATELY)
2	628-X	FOR PARTS SEE 628X
3	333-075	DASHPOT
4	625-060	BRACKET
5	625-006	SCREW
6	625-059	HOT PEDAL
7	625-159	COLD PEDAL
8	625-061	BOLT