

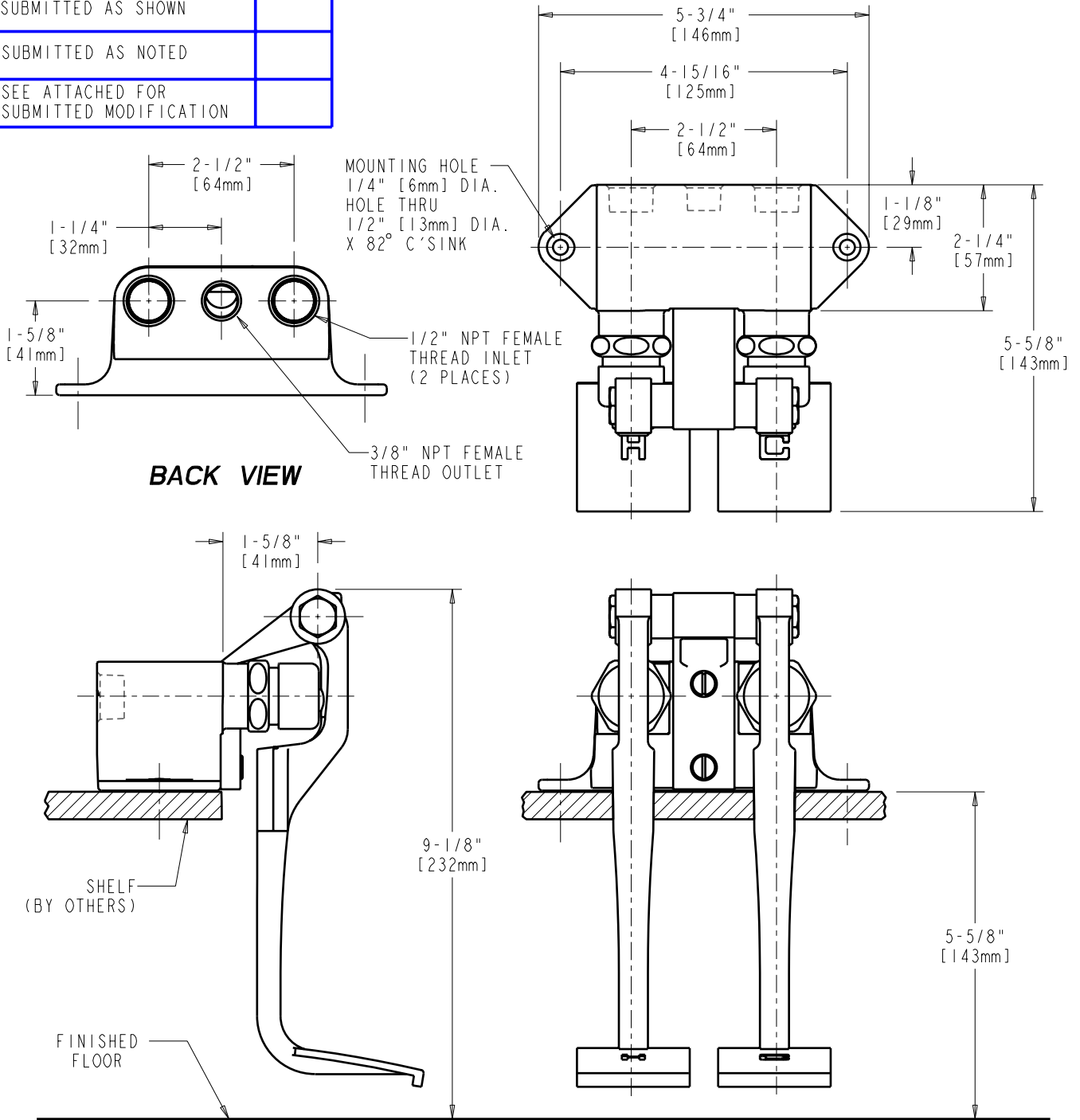
JOB NAME

ITEM NO.

SUBMITTED AS SHOWN

SUBMITTED AS NOTED

SEE ATTACHED FOR
SUBMITTED MODIFICATION



TECHNICAL DATA

- COMBINATION PEDAL VALVE
- LONG INDEXED PEDALS FOR SHELF MOUNT
- 628X NAIAD SELF CLOSING CARTRIDGES
- FINISH: CHROME PLATE

- ASME A112.18.1M COMPLIANT
- CSA B125 COMPLIANT
- NSF 61 COMPLIANT

DATE: 12-5-02

BY: JAR

CHK'D:

APP'D:

REV: 7-26-06

625-LP

ROUGHING IN DIMENSIONS MAY VARY AND ARE SUBJECT TO CHANGE. NO RESPONSIBILITY IS ASSUMED FOR USE OF SUPERCEDED OR VOIDED DATA.