

CHICAGO.[®]
FAUCETS

2100 SOUTH CLEARWATER DRIVE
DES PLAINES, ILLINOIS 60018-5999

FITTING NO.

334

SUBMITTED MODEL NO.

JOB NAME

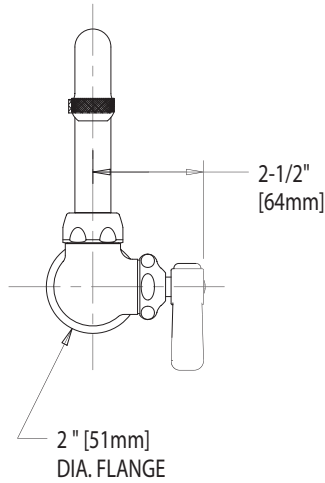
ITEM NO.

SUBMITTED AS SHOWN

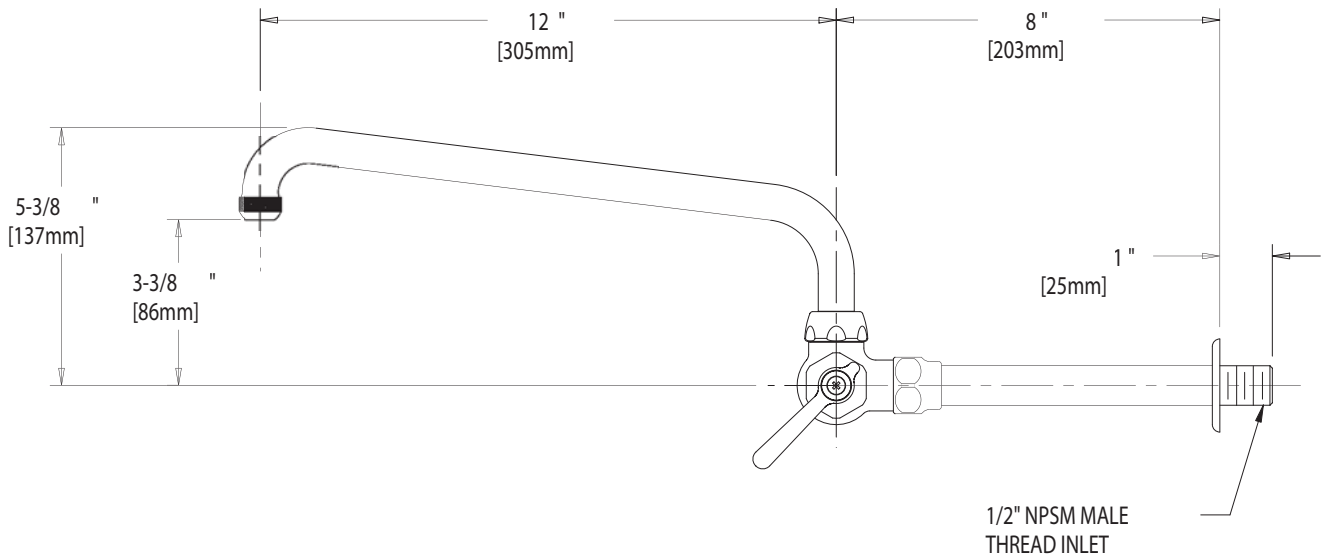
SUBMITTED AS NOTED

SEE ATTACHED FOR
SUBMITTED MODIFICATION

IS ASSUMED FOR USE OF SUPERCEDED OR VOIDED DATA. (0192-1)



FRONT VIEW



SIDE VIEW

ROUGHING IN DIMENSIONS MAY VARY AND ARE SUBJECT TO CHANGE. NO RESPONSIBILITY

DIMENSIONS IN INCHES AND [MILLIMETERS].

TECHNICAL DATA

- WALL MOUNTED SINGLE WATER FITTING
- L12 SWING SPOUT
- 369 INDEXED LEVER HANDLE
- QUATURN UNIT
- POLISHED CHROME FINISH OR AS SPECIFIED

- E1 QUIXTOP OUTLET
- ANSI A112.18.1 COMPLIANT

DATE: 06-20-97

BY: MGM

CHK'D:

APP'D:

REV: 06-20-97

334