

# CHICAGO FAUCETS

Last As Long As The Building



2100 SOUTH CLEARWATER DRIVE  
DES PLAINES, ILLINOIS 60018-5999

FITTING NO.

305

SUBMITTED MODEL NO.

JOB NAME

ITEM NO.

SUBMITTED AS SHOWN

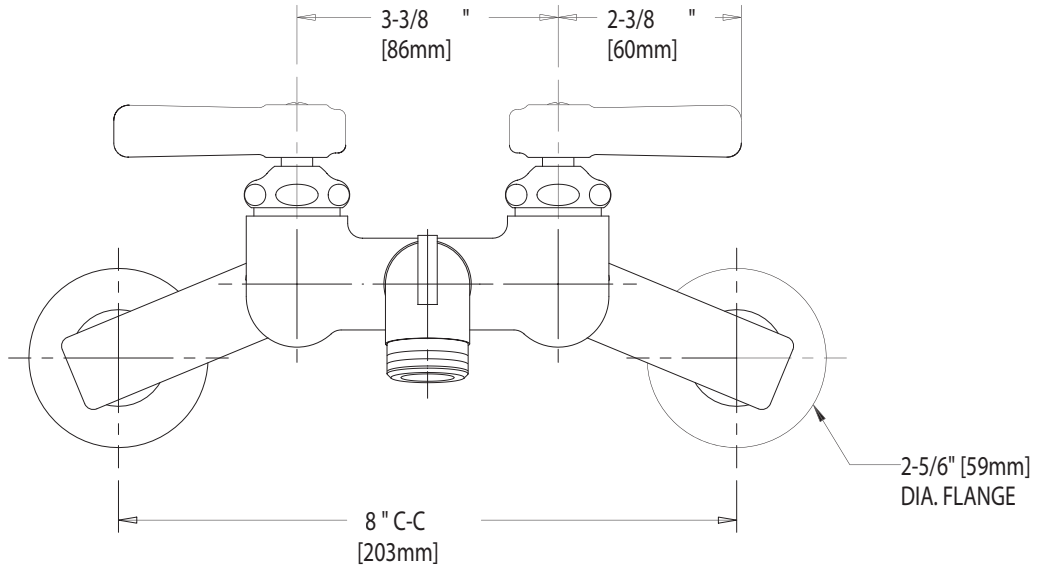
SUBMITTED AS NOTED

SEE ATTACHED FOR  
SUBMITTED MODIFICATION

NOTE:  
INSTALLATION OF THIS FITTING SHOULD  
CONFORM TO LOCAL PLUMBING CODE  
REQUIREMENTS FOR BACKFLOW PROTECTION



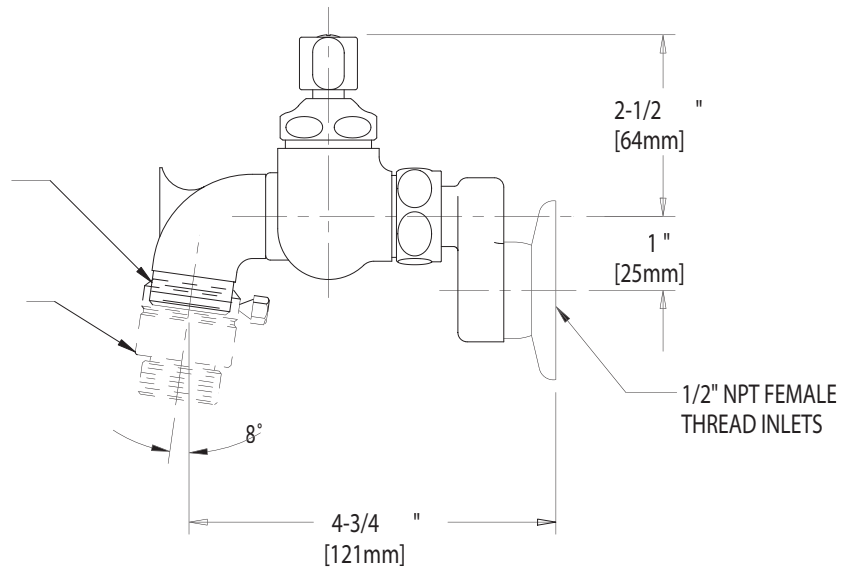
ADA COMPLIANT



FRONT VIEW

3/4" MALE HOSE  
THREAD OUTLET

E27 OR EQUIVALENT  
ASSE 1011 TYPE  
VACUUM BREAKER  
SUPPLIED BY OTHERS



SIDE VIEW

DIMENSIONS IN INCHES AND [MILLIMETERS].

TECHNICAL DATA

- WALL MOUNTED SERVICE SINK FAUCET
- SHORT SPOUT WITH PAIL HOOK
- 369 INDEXED LEVER HANDLES
- QUATURN OPERATING CARTRIDGES
- FINISH: CHROME PLATE OR ROUGH CHROME

- 'H' ADJUSTABLE SUPPLY ARMS
- 3/4" MALE HOSE THREAD OUTLET
- ASME A112.18.1M COMPLIANT
- CSA B125 COMPLIANT

DATE: 04-17-02

BY: SID

CHK'D:

APP'D:

REV: A

305

IS ASSUMED FOR USE OF SUPERCEDED OR VOIDED DATA.

ROUGHING IN DIMENSIONS MAY VARY AND ARE SUBJECT TO CHANGE. NO RESPONSIBILITY