



2100 SOUTH CLEARWATER DRIVE
DES PLAINES, ILLINOIS 60018-5999

FITTING NO.

1201-A

SUBMITTED MODEL NO.

JOB NAME

ITEM NO.

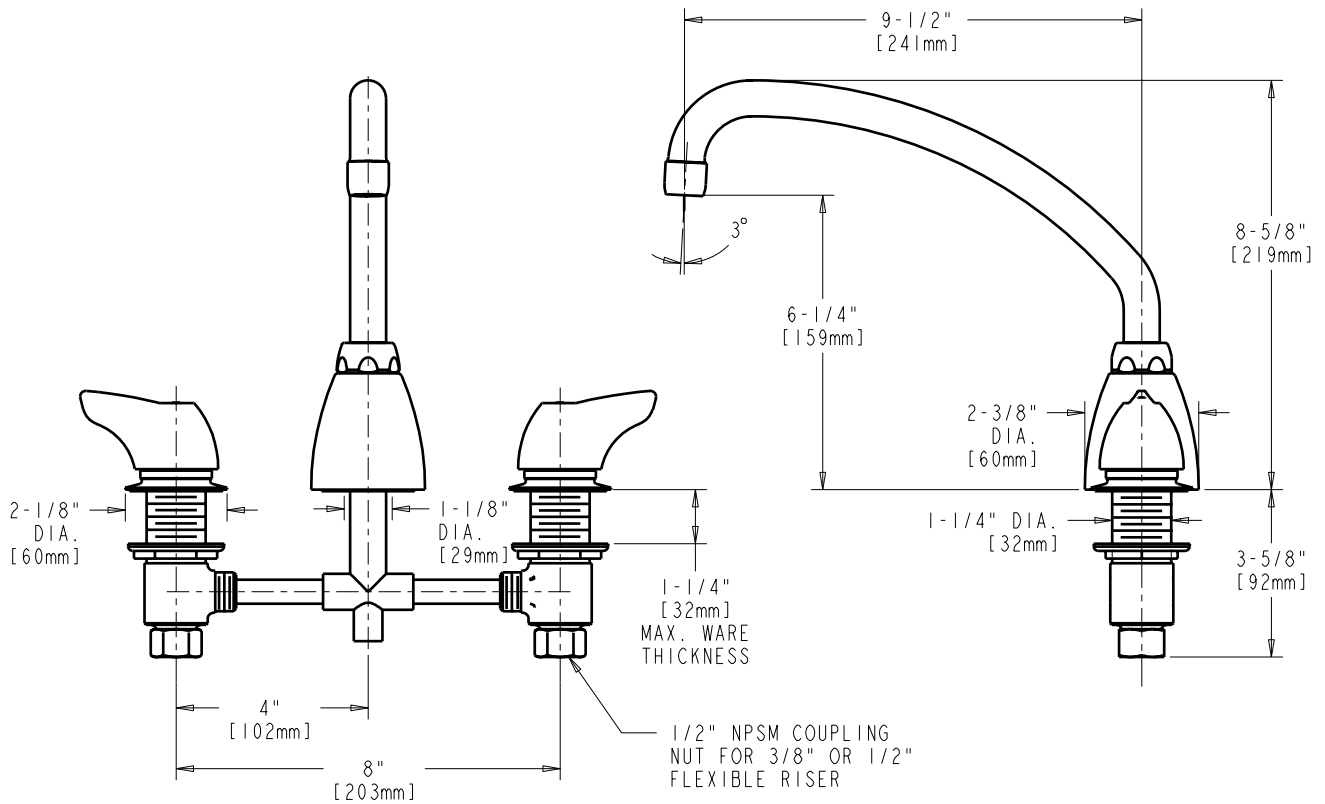
SUBMITTED AS SHOWN

SUBMITTED AS NOTED

SEE ATTACHED FOR
SUBMITTED MODIFICATION



ADA COMPLIANT



TECHNICAL DATA

- DECK MOUNTED FITTING
- L9 SWING SPOUT
- 1000 INDEXED SINGLE WING HANDLES
- QUARTN OPERATING CARTRIDGES
- FINISH: CHROME PLATE

- E3 SOFTFLO AERATOR
- 2.2 GPM [8.3 L/min.] FLOW RATE
- ASME A112.18.1M
- CSA B125
- NSF 61 COMPLIANT

DATE: 5-15-02

BY: JAR

CHK'D:

APP'D:

REV: 07-17-06

1201-A

ROUGHING IN DIMENSIONS MAY VARY AND ARE SUBJECT TO CHANGE. NO RESPONSIBILITY IS ASSUMED FOR USE OF SUPERCEDED OR VOIDED DATA.