

JOB NAME

ITEM NO.

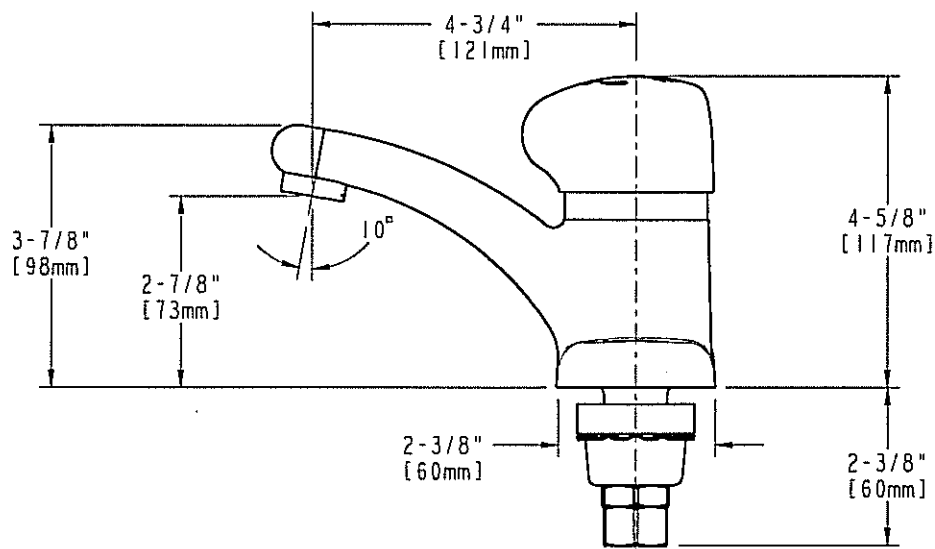
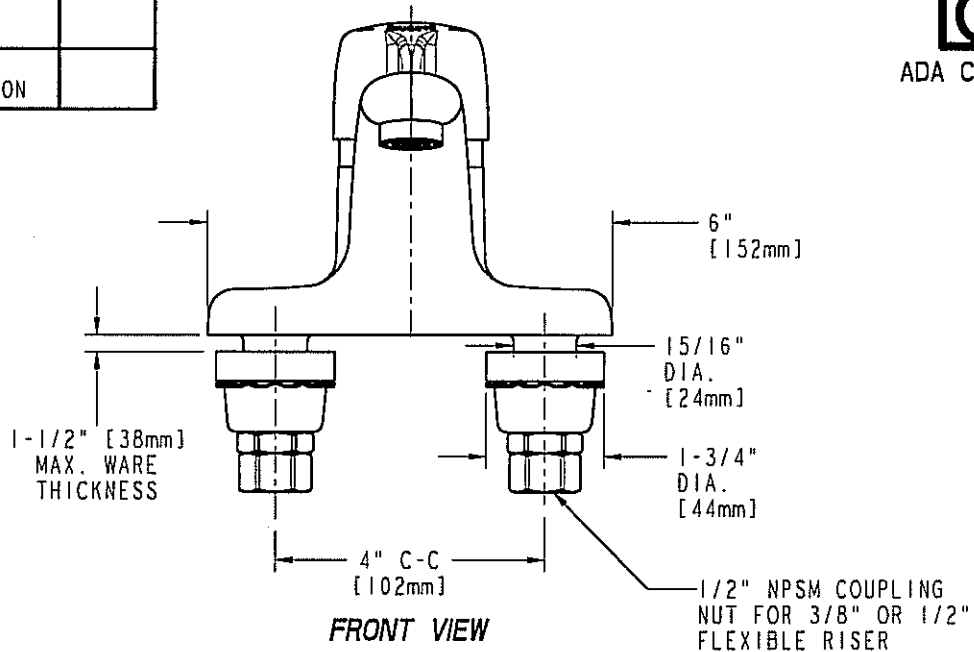
SUBMITTED AS SHOWN

SUBMITTED AS NOTED

SEE ATTACHED FOR  
SUBMITTED MODIFICATION



ADA COMPLIANT



DIMENSIONS IN INCHES AND [MILLIMETERS].

TECHNICAL DATA

- DECK MOUNTED 4" CENTRESET LAVATORY FAUCET
- 4 3/4" INTEGRAL CAST BRASS SPOUT
- METAL HANDLE WITH INTEGRAL TEMPERATURE CONTROL
- CONCEALED HANDLE SCREW FOR VANDAL RESISTANCE
- MVP ADJUSTABLE SELF-CLOSING METERING CARTRIDGE
- ADJUSTABLE HOT WATER LIMIT STOP
- FINISH: CHROME PLATE
- E2805 VANDAL RESISTANT ECONO-FLO SPRAY OUTLET
- 0.5 GPM (1.9 L/min.) MAX. FLOW RATE
- INTEGRAL CHECK VALVES AND FILTER SCREENS
- UPC LISTED TO ASME A112.18.1
- CSA B125 APPROVED

DATE: 04-20-04

BY: SID

CHK'D:

APP'D:

REV: A

3300

ROUGHING IN DIMENSIONS MAY VARY AND ARE SUBJECT TO CHANGE. NO RESPONSIBILITY IS ASSUMED FOR USE OF SUPERCEDED OR VOIDED DATA.