

ROUGH-IN

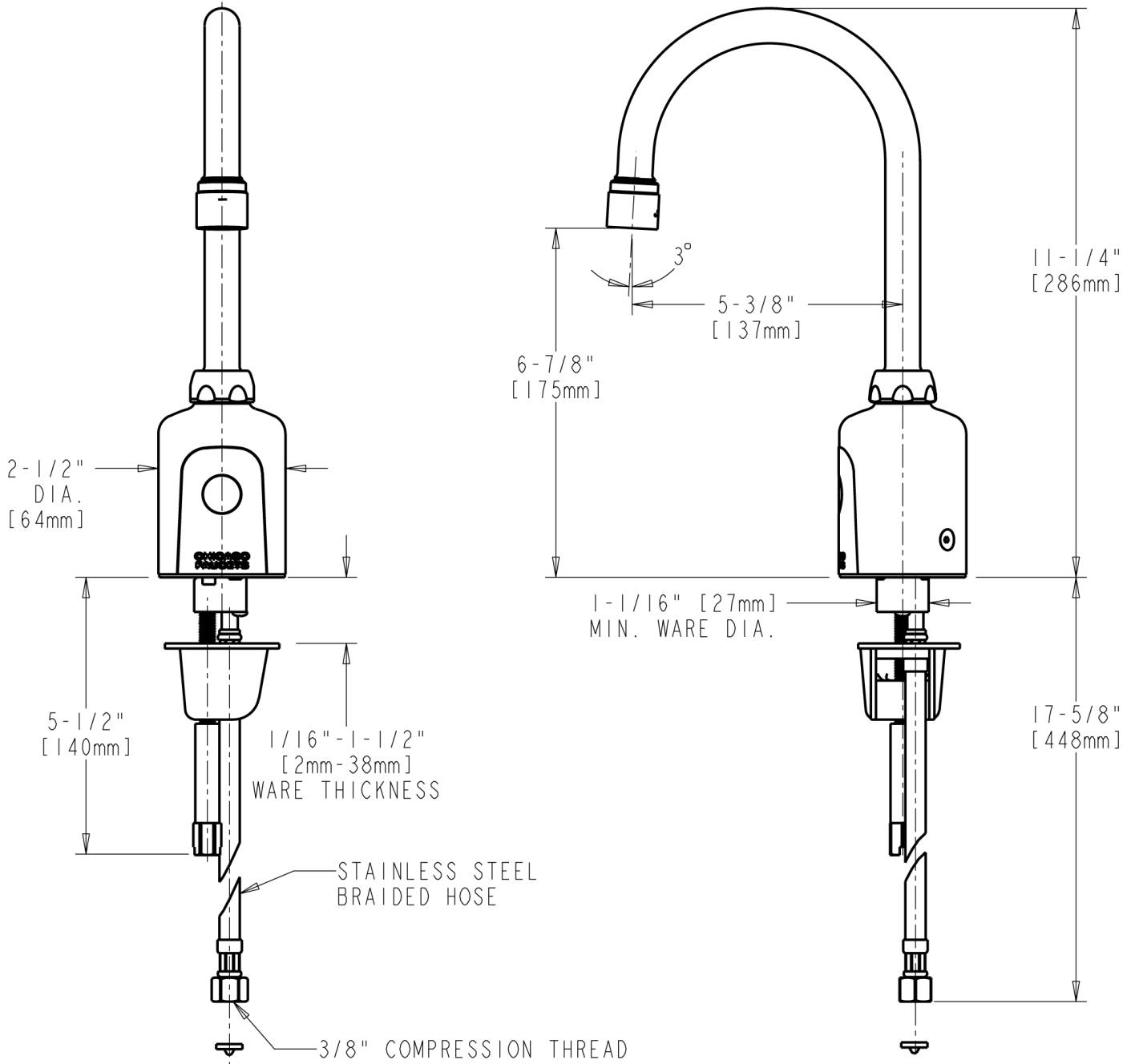
116.203.21.1

DC

Single Supply



Fitting No.	116.203.21.1	FOR TECHNICAL ASSISTANCE 1-800-TEC-TRUE (1-800-832-8783)	2100 South Clearwater Drive Des Plaines, IL 60018 Phone: 847-803-5000 Fax: 847-803-5454 www.chicagofaucets.com
Submitted Model No.			
Item No.			



TECHNICAL DATA

- Single hole, deck mount, electronic sink fitting with dual beam infrared sensor
- Single supply for tempered water
- 6V Lithium CRP2 battery (Included)
- Cast brass spout with 4" or 8" forged brass cover plate (accessory)
- Chrome plate finish
- Multiple field adjustable modes and ranges
- 0.5 GPM (1.9 LPM) Vandal resistant spray outlet, includes optional 2.2 GPM (8.3 LPM) aerator insert
- CSA B125 and ASME A112.18.IM certified