

ROUGH-IN

**116.103.21.1**

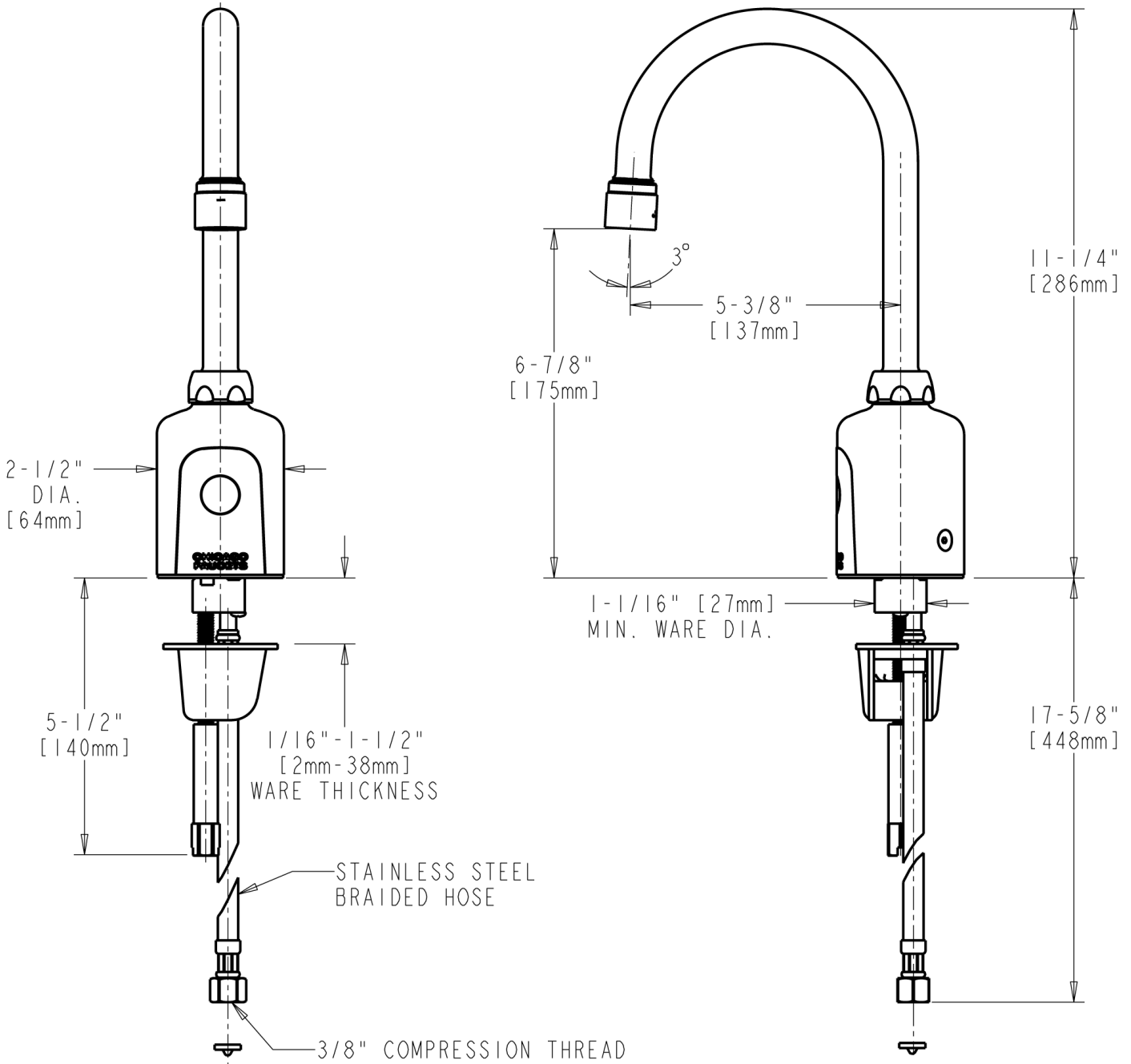
AC

Single Supply

**CHICAGO FAUCETS**

a Geberit company

|                     |              |   |  |
|---------------------|--------------|---|--|
| Fitting No.         | 116.103.21.1 | <b>FOR TECHNICAL ASSISTANCE</b><br>1-800-TEC-TRUE<br>(1-800-832-8783) | 2100 South Clearwater Drive<br>Des Plaines, IL 60018<br>Phone: 847-803-5000<br>Fax: 847-803-5454<br>www.chicagofaucets.com |
| Submitted Model No. |              |   |  |
| Item No.            |              |   |  |



**TECHNICAL DATA**

- Single hole, deck mount, electronic sink fitting with dual beam infrared sensor
- Single supply for tempered water
- 12 Volt AC transformer required (accessory)
- Cast brass spout with 4" or 8" forged brass cover plate (accessory)
- Chrome plate finish
- Multiple field adjustable modes and ranges
- 0.5 GPM (1.9 LPM) Vandal resistant spray outlet, includes optional 2.2 GPM (8.3 LPM) aerator insert
- CSA B125 and ASME A112.18.IM certified