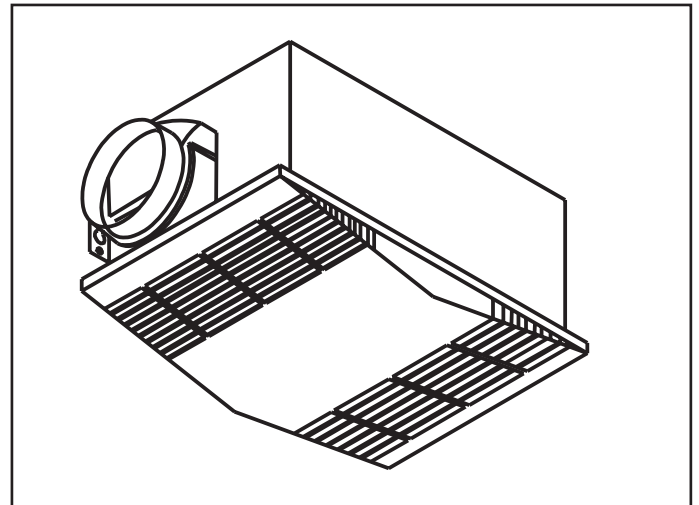


## Heat-A-Ventlite®

MODEL: 665RP

### DESCRIPTION

- Three functions in one unit. Use them individually, all together or any two.
  - 1) 1500W heating element provides fast enveloping heat. Fan evenly distributes warm air through room.
  - 2) Exhausts stale air and moisture to refresh the bath atmosphere.
  - 3) 100W lamp (not included) with aluminum reflector provides bright ceiling light.
- Streamline design with handsome white grille. Grille is tough polymeric, impervious to bathroom climate.
- Light lens of unbreakable polycarbonate snaps on and off for easy relamping.
- Includes adjustable hanger bars. 16"-24". Built-in junction box with three receptacles for simple plug-in of heater and fan motors.
- Nickel-chrome heating element.
- Quiet polypropylene duct adapter with silent backdraft damper snaps on. Longer tapering collar for easy attachment of 4" duct.
- Connects to 120vAC.
- For your convenience, NuTone offers a complete line of accessories to adapt this unit to your construction requirements.



### Material & Component Data:

**Housing:** Galvanized steel.  
**Grille:** White polymeric.  
**Reflector:** Aluminum.  
**Lens:** Translucent white polymeric  
**Damper:** polypropylene.

**Impellers:** Centrifugal.  
**Motors:** Sleeve bearings, thermally protected.  
**Element:** Open coil, nickel-chromium. 1500W.  
**Lamp:** One 100W/A19.  
**Duct Size:** 4" diameter.  
**Electrical Rating:** 120V, 60Hz, 14.2A.

### DESIGN FEATURES

**Air Delivery:** 70 CFM.  
**Sound Level:** 4.0 Sones.  
**British Thermal Units:** 5118.  
**Dimensions:** **Housing:** 14<sup>5</sup>/<sub>8</sub>" x 7<sup>7</sup>/<sub>8</sub>" x 5<sup>5</sup>/<sub>8</sub>".  
**Grille:** 9<sup>7</sup>/<sub>8</sub>" x 16<sup>1</sup>/<sub>4</sub>".

NUTONE, INC 4820 RED BANK ROAD C NCINNATI, OH O 45227  
 Product specifications subject to change without notice.

REFERENCE	QTY.	REMARKS	Project
			Location
			Architect
			Engineer
			Contractor
			Submitted by      Date

## INSTALLATION

- Adjustable hanger bars attach to 16" or 24" O.C. joists in new construction.
- Built-in junction box accepts plug-in heater motor, fan motor and light assembly.
- Snap-on lens provides convenient access for relamping.
- Duct adapter has built-in damper and long, tapering collar for duct attachment.
- Discharge is horizontal through 4" round duct.
- Each unit includes complete Installation Instructions for both new and existing construction.
- **Do not install unit over bath tub or in shower stall.**
- **Connect to 20A branch circuit.**

## ARCHITECT'S SPECIFICATIONS

Heat, Vent, Light Combination shall be Model 665RP as manufactured by NuTone according to listed specifications.

## CERTIFIED TEST DATA

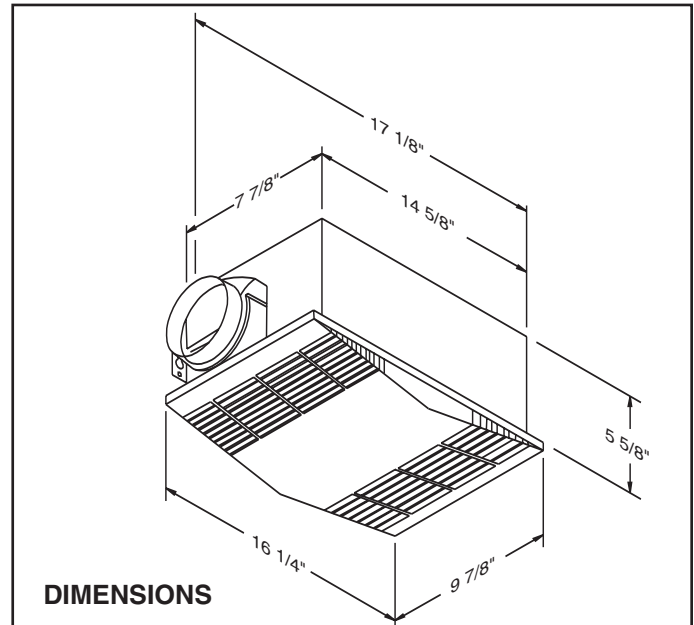
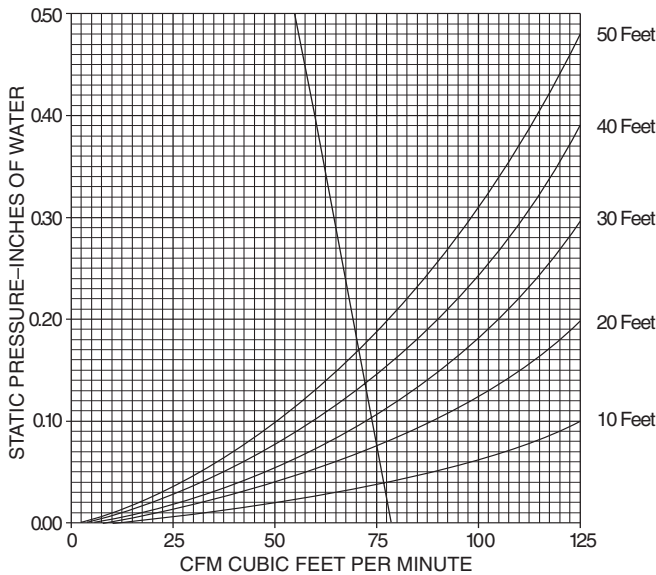


HVI-2100 CERTIFIED RATINGS comply with new testing technologies and procedures prescribed by the Home Ventilating Institute, for off-the-shelf products, as they are available to consumers. Product performance is rated at 0.1 in. static pressure, based on tests conducted in AMCA's state-of-the-art test laboratory. Sones are a measure of humanly-perceived loudness, based on laboratory measurements. This NuTone model is listed by Underwriters' Laboratories Inc.

### The air delivery of a ventilating system may be determined by:

1. Determine the equivalent duct length for each 90 degree elbow by adding one foot of duct length for each inch of duct diameter, i.e., a 4 inch diameter duct elbow equals 4 feet equivalent duct length and an 8 inch diameter duct elbow equals 8 feet equivalent duct length.
2. Add the total straight length of duct and the equivalent length for each elbow to obtain the total equivalent duct length.
3. Locate the intersection of the fan performance curve and the total equivalent duct length curves and draw a vertical line down to the CFM scale and read the system air performance.  
(NOTE: 3 1/4" x 10" duct equals 6 inch diameter duct.)

**AIR PERFORMANCE CURVE**  
(4 In. Duct to 10 Foot Lengths)



STATIC PRESSURE INCHES OF WATER	0.05	0.1	0.15	0.2	0.25	0.3	0.35	0.4	0.45	0.5
CFM	76	73	71	68	66	64	62	60	57	54