

Read all instructions before assembly and use of this product.

KEEP INSTRUCTIONS FOR FUTURE USE



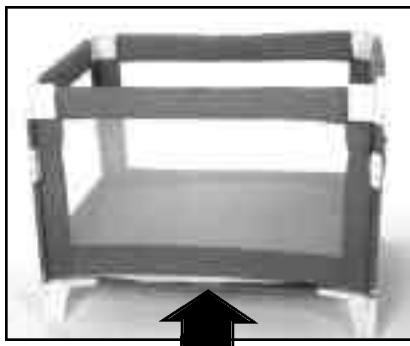
Arm's Reach® Universal Co-Sleeper® Bassinet

- Can be attached to adult beds in heights of 18" (45.5 cm), 20" (50.6 cm), 22" (55.7 cm) and 24" (60.8 cm) and 26" (66.0 cm), 28" (71.0 cm), and 30" (76.0 cm) with leg extension kit
- Can "free stand" as a four-sided bassinet
- Converts to playard
- Converts to changing table
- Can be folded up for travel

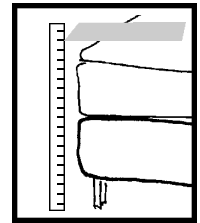
! WARNING: Failure to follow these warnings and instructions could result in serious injury or death. **THIS UNIT IS NOT INTENDED TO BE USED AS EITHER A FULL OR NON-FULL SIZE CRIB**

SUFFOCATION HAZARD. Discard all packing materials immediately after opening. Plastic bags and ties may cause suffocation or choking. **Caution: do not discard the anchor plate with the two 10 foot long straps, as this is necessary for using the product in the co-sleeping configuration.**

Instructions for setting up Arm's Reach® Universal Co-Sleeper® Bassinet



Determine the height of adult bed: Place a flat object on the top of the adult bed (including base, springs and mattress) so that a few inches of it pass over the edge of the adult bed. Measure down from this point to the floor to find the exact bed height. Refer to appropriate instructions to assemble and install your Universal Co-Sleeper® Bassinet.



STEP 1

IMPORTANT! Start with playard set-up as shown in playard instructions on back of this instruction manual.

! WARNING: Before each usage or assembly, inspect product for damaged hardware, loose joints missing parts or sharp edges. **DO NOT** substitute parts.

Lift up on lower horizontal bar before attempting to unlock upper bar. Proceed to Step 2

STEP 2

Unlock and push down upper bar on front of playard (front of playard is the side with the removable top bar). Push in on two points.

Open two front flaps (6 snaps each) on each side of nylon side panels just below plastic corner pieces.

Find locking tab inside both upper plastic corner pieces and push towards center of playard. You may now raise the plastic connector up and out of receiving slot. (Fig. 1)

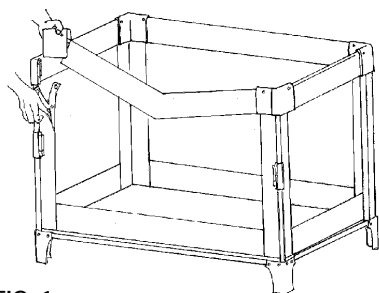
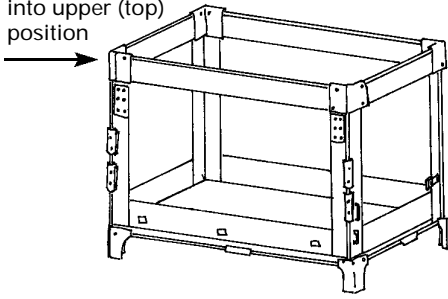


FIG. 1

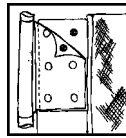
INDEX

For use as a Bedside Co-Sleeper Bassinet with an adult bed with floor heights 18" (45.5 cm) and 20" (50.6 cm)	page 1
For use as a Bedside Co-Sleeper Bassinet with an adult bed with floor heights 22" (55.7 cm) and 24" (60.8 cm)	page 1
Ordering information for extension legs for bed floor heights between 28" (71.0 cm) and 30" (76.0 cm)	page 2
Attaching mattress pad	page 4
Securing Bedside Co-Sleeper Bassinet to adult bed	page 4
How to convert Arm's Reach Co-Sleeper Bassinet to a free-standing four sided bassinet	page 5
How to convert Arm's Reach Co-Sleeper Bassinet to a changing table	page 6
Trouble shooting	page 7
How to set up a basic playard	page 8

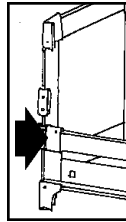
Removable bar on playard set into upper (top) position



Universal Bedside *Co-Sleeper*® Bassinet 18" (45.5 cm) or 20" (50.6 cm)



Open the nylon panels (with six snaps) on each side of the playard so that you can bring the removable bar down to position.



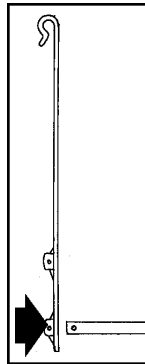
Raise lower bar with foot. Press buttons and lower top bar. Position the removable bar into the lower female receiver. Insert connector into lower slot and push down until locking tab clicks shut.

Repeat same on other side.

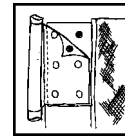
STEP 3

Assemble and install four plastic hangers and support bars as shown in Figure 3.

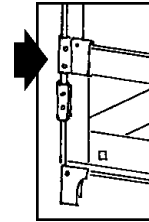
Install support bars into the *lower* female receivers as shown at left.



Universal Bedside *Co-Sleeper*® Bassinet 22" (55.7 cm) or 24" (60.8 cm)



Open the nylon panels (with six snaps) on each side of the playard so that you can bring the removable bar down to position.



Raise lower bar with foot. Press buttons and lower top bar. Position the removable bar into the upper female receiver. Insert connector into lower slot and push down until locking tab clicks shut.

Repeat same on other side.

STEP 3

Assemble and install four plastic hangers and support bars as shown in Figure 3.

Install support bars into the *upper* female receivers as shown at left.

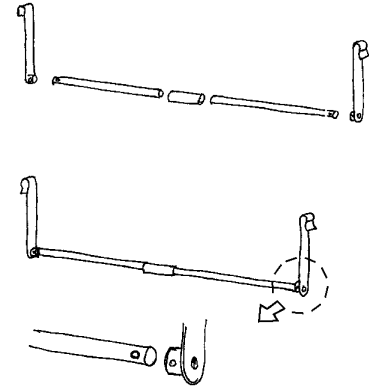
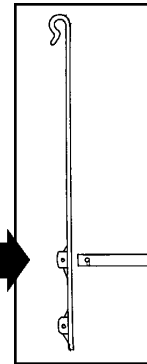
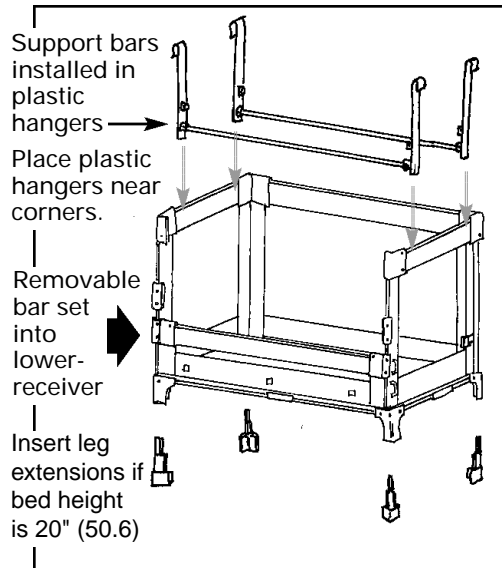
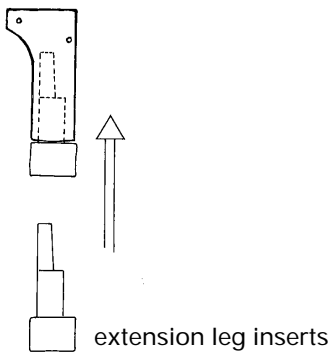
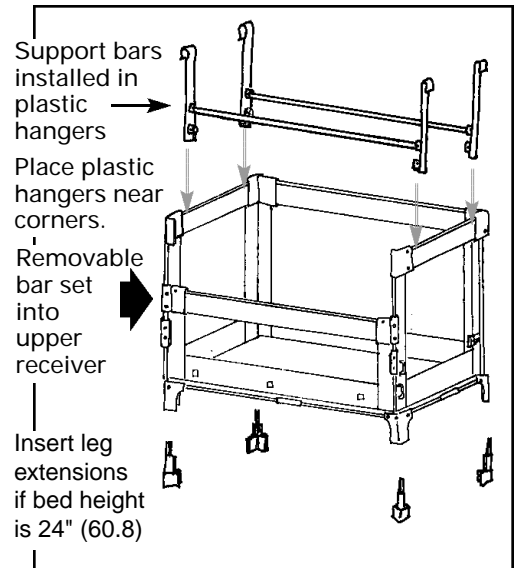
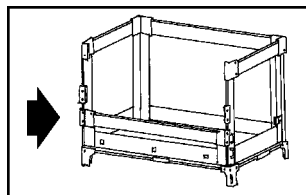


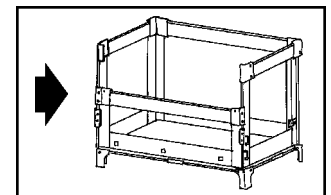
FIG. 3



Removable arm in 18" (45.5 cm) position



Removable arm in 22" (56.5 cm) position



Universal Bedside *Co-Sleeper* Bassinet at 26" (66.0 cm), 28" (71.0 cm) and 30" (76.0 cm) heights

Additional leg extension kits are required if you are installing your Universal *Co-Sleeper* Bassinet alongside an adult bed that is more than 24" (60.8 cm) in height. You may purchase from Arm's Reach Concepts additional 2" (5cm) extension leg kits that will allow you to elevate the *Co-Sleeper* Bassinet from 24" (60.8 cm) up to 26" (66.0 cm), 28" (71.0 cm) and 30" (76.0 cm).

! WARNING: Never use more than 4 – 2" (5 cm) extension segments with Arm's Reach *Co-Sleeper* Bassinet.

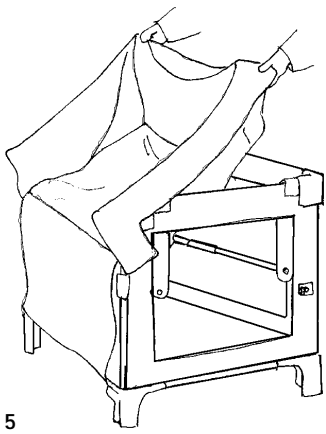


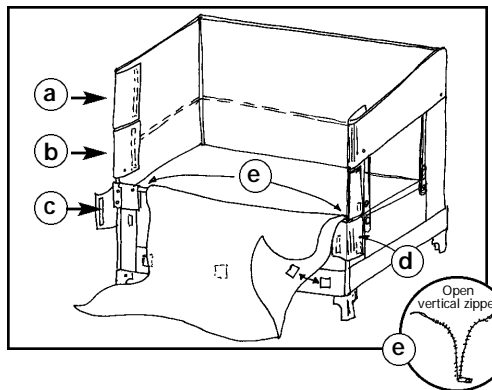
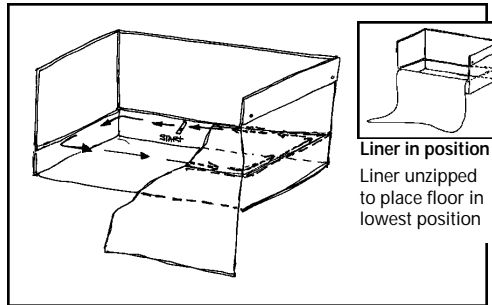
FIG. 5

STEP 4

Lay liner over *Co-Sleeper* Bassinet frame with long flap over lower bar. (Fig. 5)

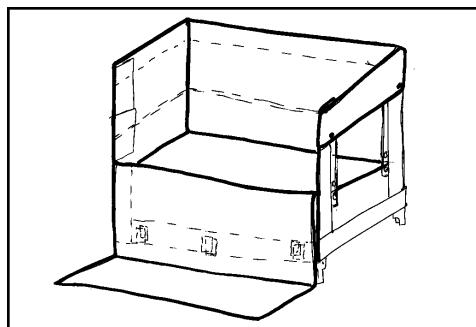
Pull back corners over frame and secure them into place with snaps.

After the liner is in place and all the snaps are connected, open the zipper that runs horizontally along the lower part of the liner and lower the "adjustable floor" to rest on support bars.



Open fabric flap (c). Fold the fabric flap (c) around the plastic parts as shown in figure (d). The two upper flaps (a) and (b) are folded over and secured by the Velcro® strip.

Note: that the overhanging fabric section lays over corner flaps (c).



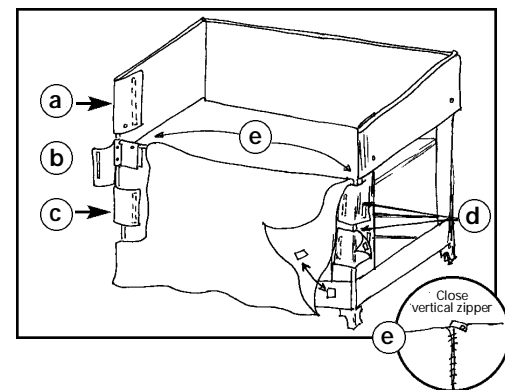
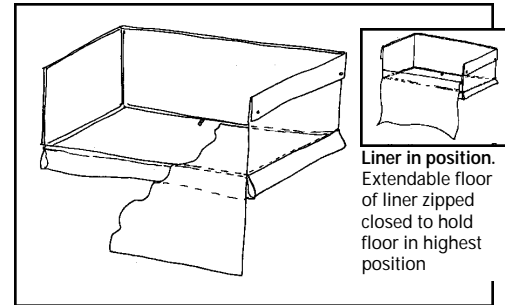
Secure overhanging fabric section to three Velcro® tabs found on lower Nylon panel of playard. (Fig. 6)

STEP 4

Lay liner over *Co-Sleeper* Bassinet frame with long flap over lower bar. (Fig. 5)

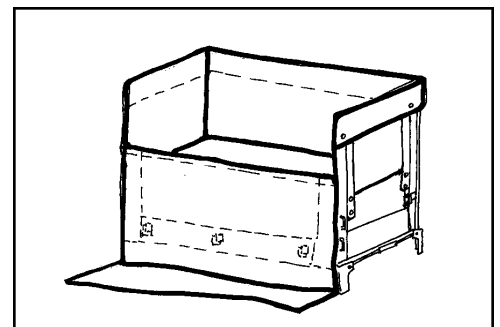
Pull back corners over frame and secure them into place with snaps.

All zippers remain closed for use with adult bed heights of 22" (55.7 cm) and 24" (60.8 cm).

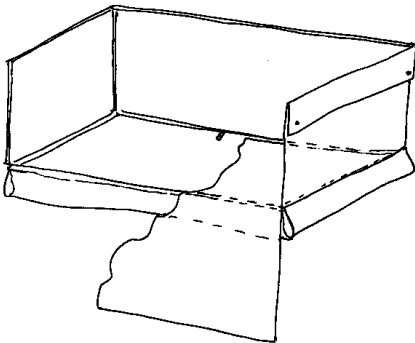


Open fabric flap (b). Fold the fabric flap (b) around the plastic parts as shown in figure (d). The upper and lower flaps (a) and (c) are folded over and secured by the Velcro® strip.

Note: that the overhanging fabric section lays over corner flaps (b) and (c).



Secure overhanging fabric section to three Velcro® tabs found on lower Nylon panel of playard. (Fig. 6)



Co-Sleeper Liner —
Cutaway view showing zipper closed

! WARNING! STRANGULATION / SUFFOCATION HAZARD: The top edge of the bumper bar/shelf must be level with or below the top of the adult bed mattress when used as a *Co-Sleeper*. The level of the *Co-Sleeper* mattress must be a minimum of 4 inches below the top edge of the bumper bar/shelf.

4" minimum

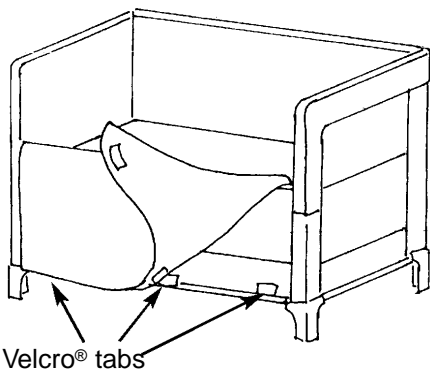
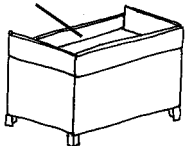
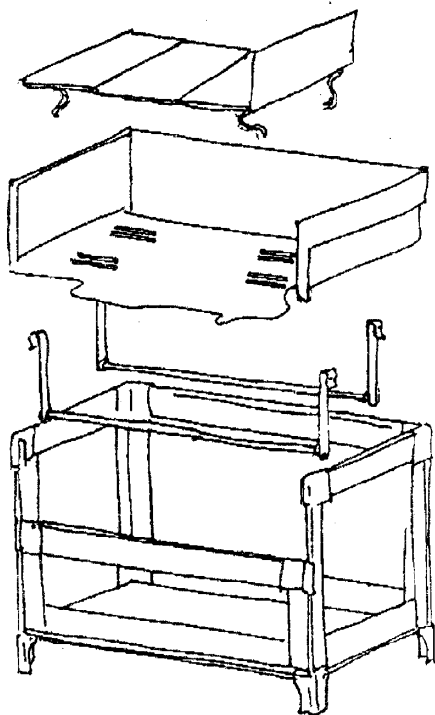


FIG. 6

! WARNING! This step prevents fabric liner from loosening inside sleeping area at front side of mattress.

Instructions for attaching mattress pad



⚠️ WARNING: Failure to follow these warnings and instructions could result in serious injury or death.

SUFFOCATION HAZARD - To help prevent suffocation and entrapment, use only the mattress/pad provided by Arm's Reach Concepts, Inc. Never use additional padding or mattress. **DO NOT** use shipping or other bags as mattress covers since they can cause suffocation.

• **DO NOT** use mattress pad in upper position without fabric liner installed beneath mattress.

IMPORTANT! Start with playard set-up shown in playard instructions on back of this manual and follow steps 1 through step 4 carefully before proceeding to step 5.

STEP 5

After installing fabric liner, install playard floor as mattress. Secure playard floor to metal support bars with Velcro® straps through slits in fabric liner. Thread velcro strap down through one slit in fabric liner around metal support bar back up through other slit in fabric liner and secure to matching Velcro® on mattress pad. Repeat connection on other three locations.

⚠️ WARNING: Be sure to put the mattress pad in the liner, not under the liner. **DO NOT** put the mattress pad directly on the support bars without the liner installed. Infant may fall through the opening created without the liner.

• Make sure all Velcro® straps are secured and tight. Check straps before each use.

Instructions for securing Universal Bedside *Co-Sleeper*® to adult bed

Connects to single, full, queen, king and California king adult beds.

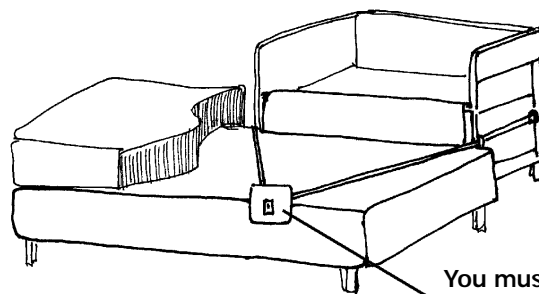
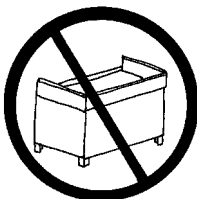
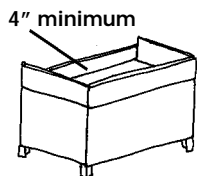
STEP 6

Unroll nylon straps from the plastic resistance plate and lay straps across the adult bed to line up with the center of the desired position of the Bedside *Co-Sleeper*.

The Straps must now be positioned between upper and lower mattress or box spring.

This can be done by sliding the straps between both mattresses using a back and forth "sawing" motion and at the same time pulling downward until the straps and resistance plate are at the desired position.

One strap should come out on each side of the Bedside *Co-Sleeper*. Pass through "belt loop" found at front leg of *Co-Sleeper*.



⚠️ WARNING: STRANGULATION / SUFFOCATION HAZARD: The top edge of the bumper bar/shelf must be level with or below the top of the adult bed mattress when used as a *Co-Sleeper*. The level of the *Co-Sleeper* mattress must be a minimum of 4 inches below the top edge of the bumper bar/shelf. **NEVER** raise the level of the *Co-Sleeper* mattress level with, or above the top of the bumper bar/shelf.

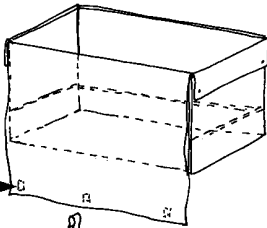
• Never use as a *Co-Sleeper* without the anchor plate attached and locked as shown. Failure to use this anchoring system could result in serious injury or death to the infant. Make sure all straps are secured and tight. Check straps before each use.

• Failure to use this securing system will allow *Co-Sleeper* to move away from adult bed and could result in infant falling out of *Co-Sleeper*. **NEVER** leave infant unattended in *Co-Sleeper*.

⚠ WARNING: Failure to follow these warnings and instructions could result in serious injury or death.

• **STRANGULATION HAZARD:** When anchor plate and strap assembly is not in use, store in a safe place not accessible to children.

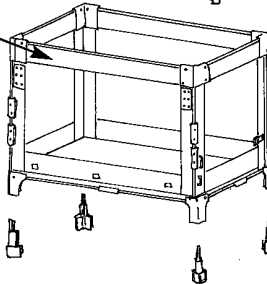
Extendable floor can be set at either upper or lower level depending upon the desired depth of the bassinet floor



Velcro® pads
Plastic hangers



Removable bar on playard set into upper (top) position to create frame for fourth side support.



STEP 1

IMPORTANT! Start with playard set-up as shown in playard instructions on back cover. Lift up on lower horizontal bar before attempting to unlock upper bar.

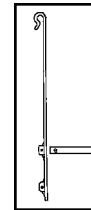
Remove mattress pad from playard.

Install the support bars into the plastic hangers. Set support bars in either upper or lower settings depending on desired depth of bassinet floor.

Select the depth of the floor from the top of the bassinet.



For the lower floor position of 16" (42 cm), set the support bars into the four plastic hangers in the lower receivers.



For the upper floor position of 12" (32 cm), set the support bars into the four plastic hangers in the upper receivers.

STEP 2

Installing the fabric liner To install the fabric liner follow step 4 on page 3.

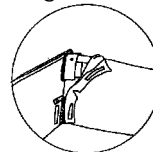
Drape the liner over the *Co-Sleeper* bassinet frame with long flap over upper bar. Pull back corners over frame and secure into place with snaps.

STEP 3

Installing the removable bar into upper receivers through fabric liner openings

Open both top flaps of the liner and install the removable bar into the upper (top) female receivers through the fabric liner openings.

You must leave the liner's inside 4 1/2" (11.5 cm) vertical zipper in a closed position



If you are using the lower floor position, open the horizontal zippers on the fabric and extend floor liner as shown in fig. 2.

Secure overhanging fabric section to three Velcro® tabs found on lower Nylon panel of playard as shown in fig. 1.

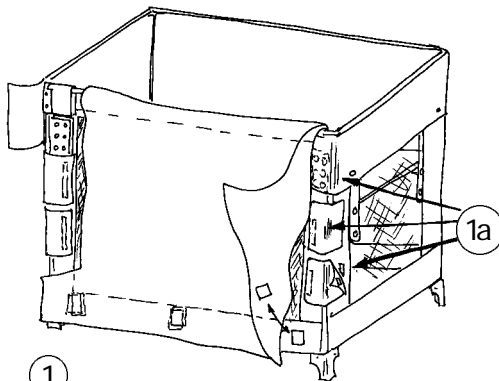
Unlock and bend the removable bar downward (do not remove it from the top receivers).

Close both upper Nylon panels as shown in *detail for top flap closure* (a,b,c).

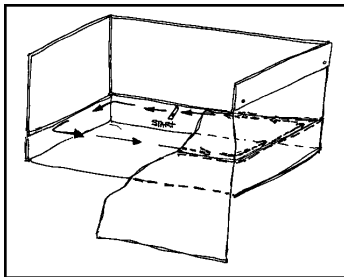
Make sure that the outside upper snap is connected to the fabric liner's upper corner flap. (detail a and b)

Connect all remaining snaps as shown (fig.3) Close all remaining flaps as shown in 1a.

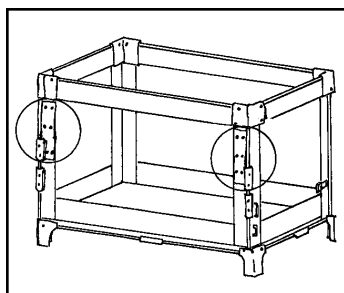
After all of the snaps are secured, pull up on the removable bar so that it locks into position.



1



2

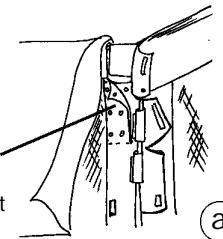


3

Detail for Top Flap Closure of four sided-bassinet

Liner Closer
Upper corner (outside)

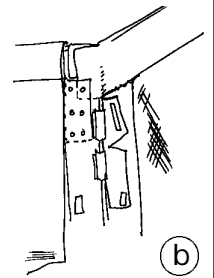
Liner opened – top button of nylon flap is not connected.



a

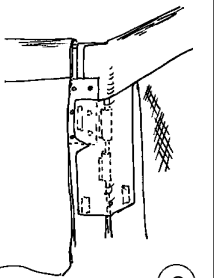
Upper corner flap of liner folds around plastic corner and passes behind nylon flap.

Nylon flap closes over liner material and is secured with snap on nylon to snap on liner.



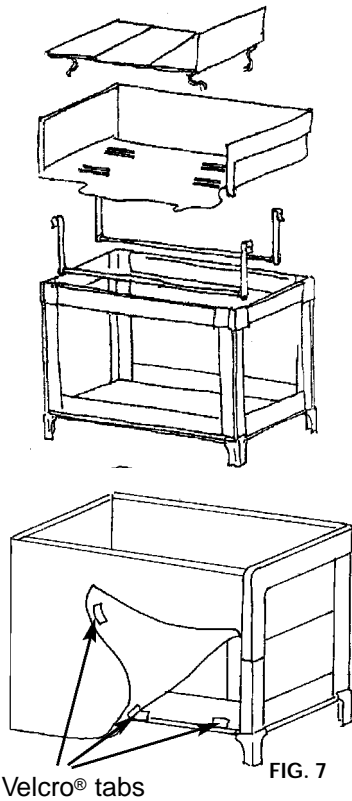
b

Lower 2 flaps of liner corner shown wrapped around outside corner of playard frame – covering the lower receivers.



c

Both lower Velcro® tabs are shown connected at bottom corner section of liner



Velcro® tabs

FIG. 7

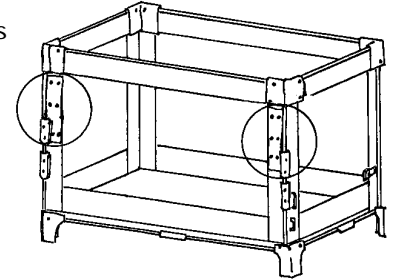
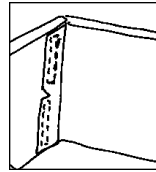
STEP 4

Complete the installation of the fabric liner and mattress pad.

Place the mattress pad into the liner bottom and secure it to the support bars. Thread Velcro® strap down through one slit in fabric liner around metal support bar back up through other slit in fabric liner and secure to matching Velcro® on mattress pad. Repeat connection on other three locations.

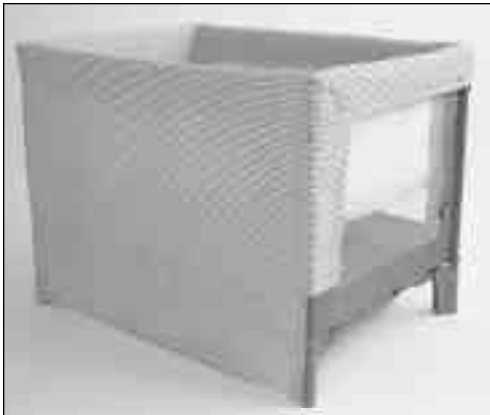
Fold and secure all three outside corner flaps on both sides of the playard frame.

Fold and secure inside corner flaps as shown.



After these flaps (inside and outside) are secured, pull the long fabric panel over the front of the Co-Sleeper Bassinet and secure it to the bottom nylon panel of the playard using the three Velcro® strips. (Fig. 7)

⚠️ WARNING: This step prevents the fabric liner from loosening inside bassinet at front of mattress.



Your Universal Co-Sleeper is now ready to be used as a four-sided bassinet anywhere in the house or attached to the adult bed like the Co-Sleeper. If used as a Co-Sleeper follow instructions on page 4 for securing bedside Co-Sleeper to adult bed.

⚠️ WARNING: Always check to be sure that the upper locking bars and the lower locking bars are in their "locked position" before placing infant in bassinet.

- Make sure all Velcro® straps are secured and tight when used in the changer/Co-Sleeper positions. Tighten straps periodically.
- Use only fitted sheets manufactured for the Co-Sleeper by Arm's Reach Concepts, Inc.



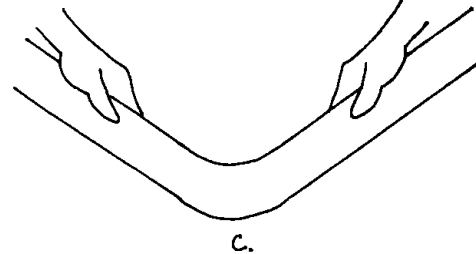
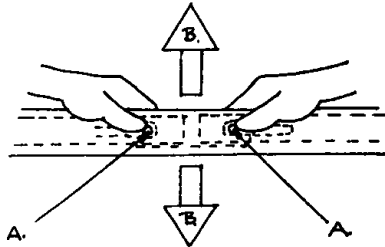
Instructions to convert **Arm's Reach® Co-Sleeper®** Bassinet to a changing table

Simply disconnect securing straps from Co-Sleeper Bassinet and place the unit where you desire.

⚠️ WARNING: STRANGULATION HAZARD: When anchor plate and strap assembly is not in use, store in a safe place not accessible to children.

- Never leave infant unattended in changing table. Changing table is not intended for sleeping.

- Q. "I am having trouble getting the upper bar to unlock. The buttons are hard to push in."
- A.
- Locate the "dimple" on the end of the right and left elongated spring directly behind the "press to release" words on the nylon sleeve that cover the tube steel locking bar. (See A)
 - Gently push in on each spring as you lift and lower the locking mechanism with a short up and down motion. (see B) By doing this, the locking buttons will "find" their way into the alignment holes and the upper bar will be unlocked and fold downward. (See C)
 - Make sure that both bars (right and left) are unlocked. If one side is longer than the other, then you have not unlocked both bars and the unit will not fold up properly.



- Q. "I am having trouble getting the lower bar to unlock. One of the two bars unlock when I lifted up on the locked bars but the second one seems to be stuck."
- A.
- Make sure all of the upper bars are completely unlocked and folded downward.
 - Unlock all of the lower locking bars by lifting up on them. Get at least one of the two bars to unlock on each of the four sides.
 - Gather the *Co-Sleeper* Bassinet together as seen in the drawing and lay it on its side on the floor.
 - Gently push downward on the *Co-Sleeper* Bassinet until you feel the second bar unlock from its locked position.
 - Repeat this motion on the remaining sides until you are able to fold the unit together so that the upper four plastic corners are touching each other to form a neat square.
- Q. "I can't get the plastic hangers off the *Co-Sleeper* Bassinet's top bar. They are very tight and I can't pull them off."
- A. Try rotating them off of the upper bar. Instead of trying to pull the hanger straight up, hold on to the bottom (opposite the hooked end) and slide the hanger along the mesh side of the *Co-Sleeper* Bassinet in a circular motion. It will peel off the upper rail with little effort.

If you have any questions or need further assistance please call (800) 954-9353.

Warnings to avoid suffocation

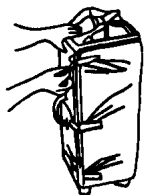
- ALWAYS use a *Co-Sleeper* sheet that fits securely on mattress and wraps around the mattress corners.
- NEVER place infants to sleep on **pillows, sofa cushions, adult beds, waterbeds, beanbags**, or any other surface not specifically designed for infant sleep.
- Remove pillows, quilts, comforters, sheepskins, pillow-like stuffed toys, and other pillow-like products from the *Co-Sleeper*.
- Comforters or other soft bedding may be displayed on or near *Co-Sleeper*. However, they are not to be used in the *Co-Sleeper* for infants under 12 months.
- For baby under 12 months, normal, healthy infants should ALWAYS sleep on their backs unless otherwise advised by a pediatrician.
- Only a fitted sheet, mattress pad, and/or waterproof pad should be used under a baby (that is under 12 months).
- Cover baby with a thin covering, such as a crib blanket, receiving blanket or other blankets specifically designed for infants, only reaching as far as baby's chest, and tuck the covering around the *Co-Sleeper* mattress. For newborns, consider swaddling.
- Do not overdress your baby. Consider using a sleeper or other sleep clothing as an alternative to any covering.

Instructions

How to set up basic playard

! WARNING: STRANGULATION HAZARD: When anchor plate and strap assembly is not in use, store in a safe place not accessible to children.

How to set up your playard:



Step 1

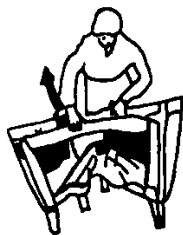
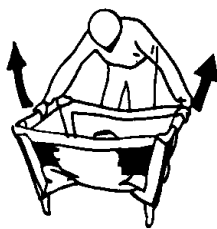
- Unzip bag. Remove playard and stand upright.



- Unhook Velcro® tabs.
- Set mattress aside.

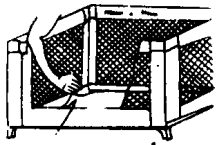
Step 2

- Separate the four corner posts.
- The sides when folded look like a "V".
- Grasp the bottoms of the opposite "v" and pull up quickly until you hear a "click" from both sides.
- Be sure top rails have become rigid. If not, pull up again until they are rigid.



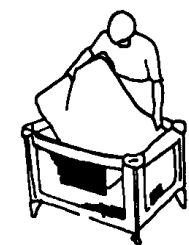
Step 3

- Pull up 2 remaining opposite sides.
- Be sure all 4 top rails are rigid.



Step 4

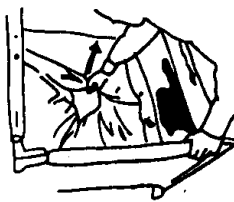
- Push down on all 4 supports at the bottom until the playard is fully erect.



Step 5

- Cover the padded side of the mattress with the fitted sheet.
- Place the mattress into your unit with padded side up.

How to fold your playard:



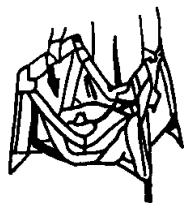
Step 1

- Remove floor.
- Grasp center handle and pull up.



Step 2

- Locate (2) buttons on the outside of center of each top rail (the buttons are under the fabric) and depress (squeeze) both buttons as shown.
- Press center hinge down (toward floor) to fold top rail.



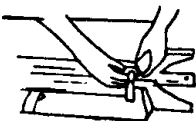
Step 3

- Gather unit together.
- Do not force.



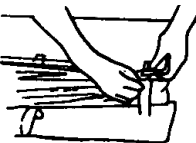
Step 4

- Wrap the mattress around your unit. Feed the strap through the bottom corner belt loop. Fasten together the other 2 Velcro® straps.



Step 5

- Insert playard into bag as shown and zip closed.

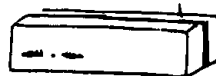


- Store sheet in end of unit.



Step 6

- Be sure carrying handle comes through opening in bag.



! WARNING: FAILURE TO FOLLOW THESE WARNINGS AND THE ASSEMBLY INSTRUCTIONS COULD RESULT IN SERIOUS INJURY OR DEATH.

- NEVER leave your child unattended.
- DO NOT place infant face down on mattress. Always place the infant on his/her back.
- SUFFOCATION HAZARD – To help prevent suffocation and entrapment, use only the mattress/pad provided by Arm's Reach Concepts Inc. Never use additional padding mattress.
- The playard, including side rails and bottom pad, must be fully erected prior to use. Top rails must be completely locked.
- Always make sure all top and bottom rails are securely locked, in all configurations, before putting an infant/child into the unit.
- NEVER LEAVE child in unit without the TOP HORIZONTAL RAIL installed in the uppermost position, unless the unit is in the *Co-Sleeper* configuration and the parent/caregiver is in the adult bed.
- Discontinue use as a *Co-Sleeper* when child is able to roll over and pull itself to a kneeling, sitting or standing position.
- DO NOT add padding or other objects inside the playard which will permit your child to climb out.
- When used as a playard, the *Co-Sleeper* is intended for use by a child who is unable to climb out of the playard and is less than 34 inches (66.4 cm) tall and weighs less than 30 lbs. (13.5 kg.)
- Strings can cause strangulation. DO NOT place items with a string around a child's neck, such as hood strings, pacifier cords, etc.
- DO NOT suspend strings over the unit, in any configuration or attach string to toys.
- DO NOT place product near a window where cords from blinds or drapes may strangle a child.
- Keep playard away from stoves, heaters, campfires and other hazards.
- DO NOT allow children to climb or play on or under unit in any configuration.
- Periodically check your product to make certain all screws, nuts rivets, or bolts are tightened securely.
- Discontinue using your product should it become damaged or broken.
- This product is not intended for commercial use and complies with playpen regulations (Canada).

CLEANING INSTRUCTIONS:

Use only household soap or detergent and warm water.

For washing sheet, machine wash on lukewarm setting and drip-dry. NO BLEACH.

! WARNING: When converting to the playard configuration, remove the plastic hangers and the liner, and lower the floor to the LOWEST level. Place the removable bar in the HIGHEST position.

- Always make sure all top and bottom rails are securely locked, in all configurations, before putting an infant/child into the unit.
- NEVER LEAVE infant in playard with SIDES DOWN. Infant may roll into space between pad and loose mesh side causing suffocation.



ARM'S REACH
Universal CO-SLEEPER Bassinet

If you have any questions – call or write: Arm's Reach Concepts, Inc.
5699 Kanan Road, Suite 330, Agoura Hills, CA 91301-3358
(800) 954-9353 (805) 278-2559 Hours: 9:00 A.M. - 4:00 P.M. Pacific Time
www.armsreach.com