

American Standard

Installation Instructions

ENFIELD BATH/SHOWER TRIM KITS

T373.502 T373.522
T373.501 T373.521
T373.500 T373.520

Thank you for selecting American-Standard...the benchmark of fine quality for over 100 years.

To ensure that your installation proceeds smoothly—please read these instructions carefully before you begin.

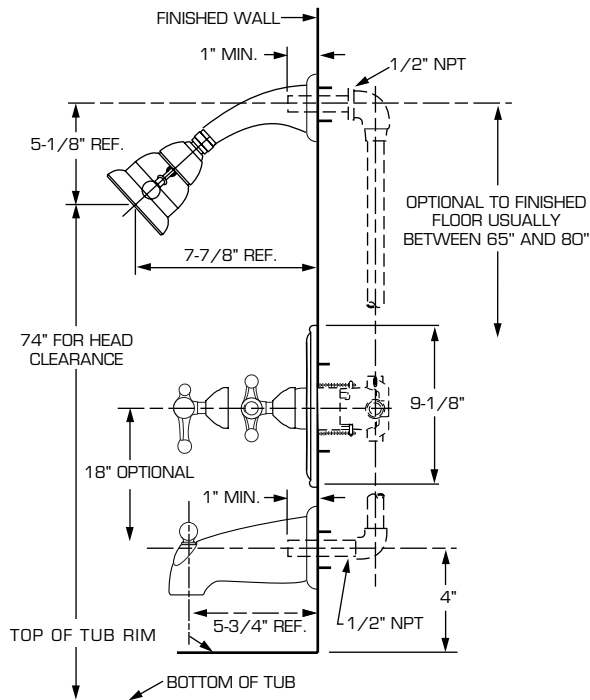


Certified to comply with ANSI A112.18.1

M968285A

ROUGHING-IN DIMENSIONS Installation for Bath/Shower, Shower only, or Valve only Trim.

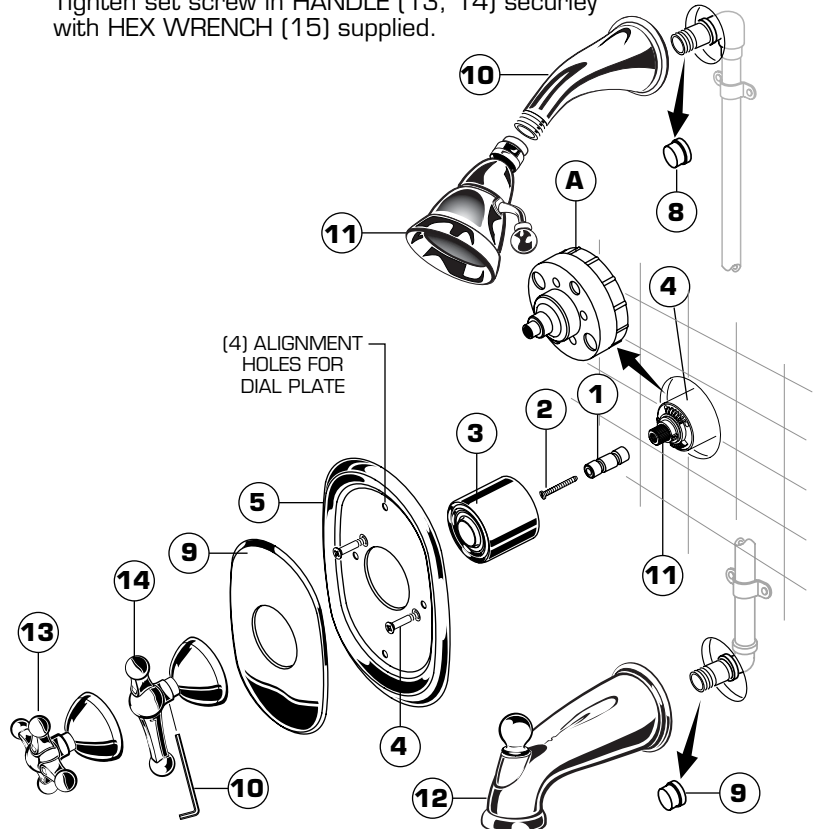
- Dimensions are for reference.



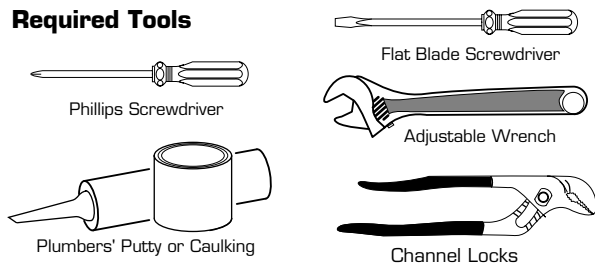
1 INSTALL TRIM

CAUTION: Protect finish on SHOWER ARM, SHOWER HEAD and TUB SPOUT when installing.

- When finished tiling the wall, remove PLASTER GUARD (A) and turn off water supply.
- Install STEM ADAPTER (1) onto valve stem with ADAPTER SCREW (2).
- Push CAP (3) over VALVE CARTRIDGE (4).
- Mount ESCUTCHEON (5) to valve body with SCREWS (6).
- Push DIAL PLATE (7) over CAP (3) and into the four alignment holes in ESCUTCHEON (5).
- Remove PIPE CAP (8) and PIPE CAP (9) from shower pipe and tub filler pipe.
- Install SHOWER ARM (10), SHOWER HEAD (11) and TUB FILLER SPOUT (12) by threading onto pipe nipples using teflon tape or pipe sealant.
- Align HANDLE (13, 14) and push onto STEM ADAPTER (1). Tighten set screw in HANDLE (13, 14) securely with HEX WRENCH (15) supplied.



Required Tools



CARE INSTRUCTIONS:

DO: SIMPLY RINSE THE PRODUCT CLEAN WITH CLEAR WATER. DRY WITH A SOFT COTTON FLANNEL CLOTH.

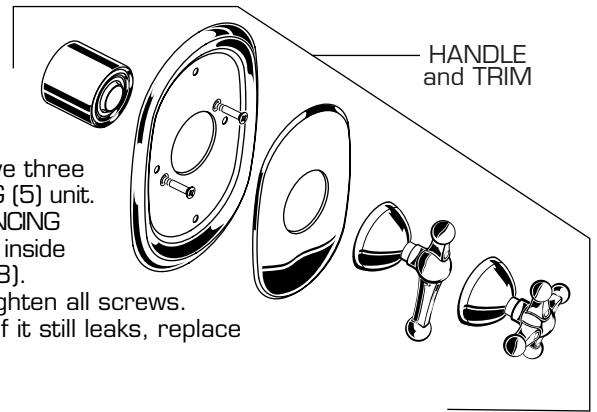
DO NOT: CLEAN THE PRODUCT WITH SOAPS, ACID, POLISH, ABRASIVES, HARSH CLEANERS, OR A CLOTH WITH A COARSE SURFACE

2 TO GAIN ACCESS TO VALVE FOR SERVICING

- Remove HANDLE and TRIM. See step one and reverse assembly procedure.

VALVE LEAKS WHEN SHUT OFF

- Remove CARTRIDGE (1) by removing CARTRIDGE SCREWS (2). Remove three SCREWS (3) from FIXATION RING (4) and pull out PRESSURE BALANCING (5) unit.
- Clean SEALS (9) on base of CARTRIDGE (1). Check base of PRESSURE BALANCING UNIT (5) and clean O-RINGS (6). Remove CAPS (7) and check O-RINGS on inside of CAPS (7) for debris. Clean inside sealing surfaces of VALVE BODY (8).
- Re-assemble PRESSURE BALANCING UNIT (5) and CARTRIDGE (1). Tighten all screws.
- Turn on water supply and see above for installing TRIM and HANDLE. If it still leaks, replace pressure balancing unit (M952100-0070A).

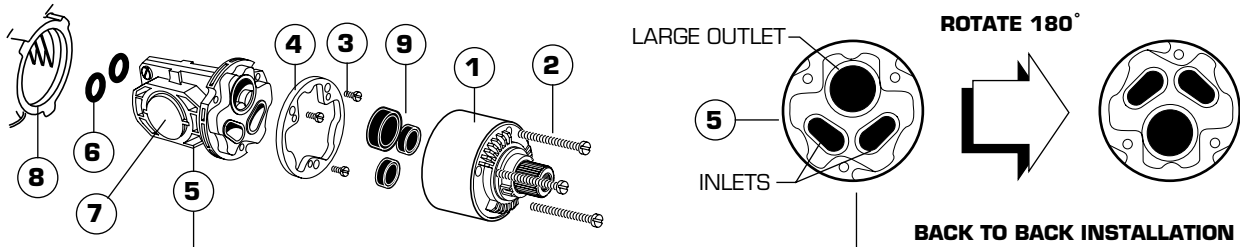


UNABLE TO MAINTAIN CONSTANT TEMPERATURE

- Remove PRESSURE BALANCE UNIT (5).
- Remove CAPS (7) and clean valve thoroughly.
- Examine balancing unit and check condition of O-ring on end of piston. Piston should move back and forth. Order Repair Part M952100-0070A if balancing unit is defective.
- Replace CAPS (7) and install PRESSURE BALANCE UNIT (5). Make sure inlets line up with two holes in bottom of casting. Top flange should butt-up against top of casting.

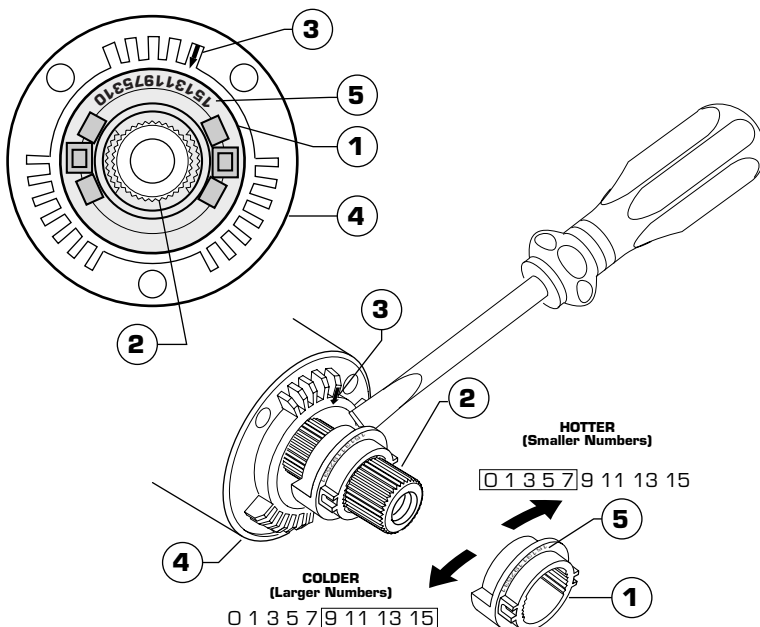
BACK TO BACK INSTALLATION

- Remove PRESSURE BALANCE UNIT (5). Rotate PRESSURE BALANCE UNIT (5) 180° so that the inlets face up and the large outlet port faces down.
- Push PRESSURE BALANCE UNIT (5) in casting make sure inlets line up with holes in bottom of casting. Top flange should butt up against top of casting. Reassemble FIXATION RING (4) and CARTRIDGE (1).



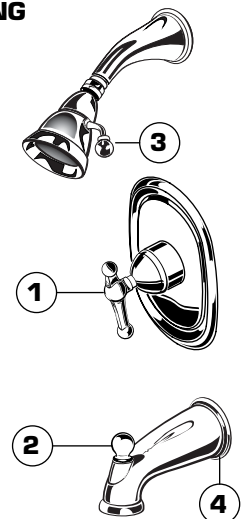
3 ADJUST HOT LIMIT STOP

- By restricting HANDLE rotation and limiting the amount of hot water allowed to mix with the cold, the HOT LIMIT SAFETY STOP (1) reduces risk of accidental scalding. To set the maximum hot water temperature of your faucet, all you need to do is adjust the setting on the HOT LIMIT SAFETY STOP (1).
- Turn CARTRIDGE STEM (2) to the OFF position (coldest setting) before making adjustment to HOT LIMIT SAFETY STOP (1). Use a flat blade screwdriver to pry free the HOT LIMIT SAFETY STOP (1). Pull forward and rotate counterclockwise one number to limit hot water temperature. Use ARROW (3) on CARTRIDGE (4) and NUMBERS (5) on HOT LIMIT SAFETY STOP (1) for indication.



4 TEST INSTALLED FITTING

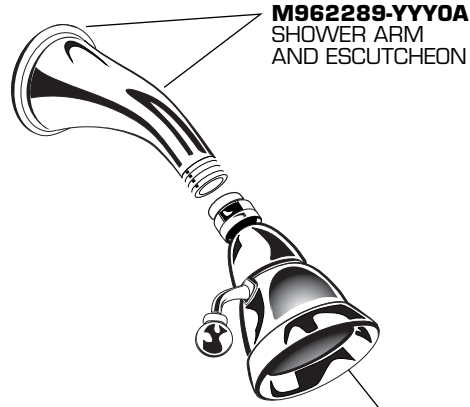
- Turn VALVE (1) "off".
- With HANDLE (1) in "off" position, turn on water supplies and check all connections for leaks.
- Operate HANDLE (1) and flush water lines thoroughly. Pull DIVERTER (2) up and check SHOWER (3) for proper operation.
- Check SPOUT (4) and SHOWER (3) connections for leaks.



M968285A

ENFIELD BATH/SHOWER TRIM KITS MODEL NUMBER

T373.502
T373.501
T373.500
T373.522
T373.521
T373.520



M953565-YYY0A
SHOWER HEAD

M962255-YYY0A
ESCUTCHEON AND SCREWS

078016-YYY0A
ESCUTCHEON SCREWS

M909623-YYY0A
DIAL PLATE

M962254-0070A
ADAPTER KIT

M907053-YYY0A
ESCUTCHEON CAP SET

M962252-YYY0A
LEVER HANDLE KIT

M962258-YYY0A
CROSS HANDLE KIT

M950220-YYY0A
DIVERTER SPOUT (IPS)

M962256-YYY0A
DIVERTER SPOUT
REPAIR KIT

Replace the "YYY" with
appropriate finish code

CHROME	002
POLISHED NICKEL	008
BLACKENED BRONZE	068
POLISHED BRASS	099
SATIN	295



HOT LINE FOR HELP

For toll-free information and answers to your questions, call:

1-800 442-1902

Weekdays 8:00 a.m. to 8:00 p.m. EST

IN CANADA 1-800-387-0369 (TORONTO 1-905-306-1093)

Weekdays 8:00 a.m. to 7:00 p.m. EST

Product names listed herein are trademarks of American Standard Inc.
© American Standard Inc. 2003

