

ALCOVE SHOWER BASE

Product Features:

- Acrylic with fiberglass reinforcement
- Single threshold unit
- Textured bottom pattern
- Integral self-leveling base
- Integral three-sided, double tiling edge with water retention flange
- Molded-in flood guard
- PVC shower drain with stainless steel drain plate

6034.ST ALCOVE SHOWER BASE

Nominal Dimensions: 1527 x 867 x 168mm
(60-1/8" x 34-1/8" x 6-5/8")

4834.ST ALCOVE SHOWER BASE

Nominal Dimensions: 1222 x 870 x 168mm
(48-1/8" x 34-1/4" x 6-5/8")

Compliance Certifications -

Meets or Exceeds the Following Specifications:

- ANSI Z124.2 for Plastic Shower
- ASTM E162 for Surface Flammability
- NFPA 258 for Smoke Density



To Be Specified - Required:

- Color: (specify American Standard fixture color)

To Be Specified - Optional:

- Metal Drain Plate:
 - 751819-099 in Polished Brass **or**
 - 751819-295 in Satin

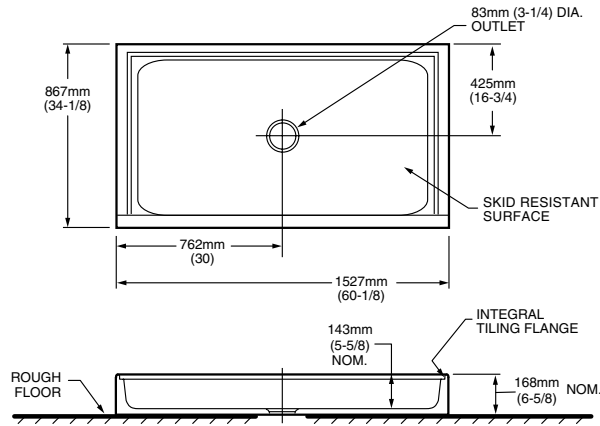
See reverse side for roughing-in dimensions

NOTES: REFER TO INSTALLATION INSTRUCTIONS SUPPLIED WITH SHOWER BASE FOR ADDITIONAL INFORMATION.

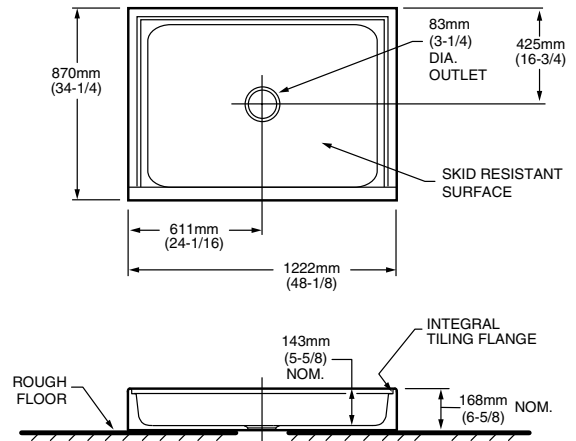
IMPORTANT: Dimensions of fixtures are nominal and may vary within the range of tolerances established by ANSI Standard Z124.1 / CSA. These measurements are subject to change or cancellation.

No responsibility is assumed for use of superseded or voided pages.

6034.ST



4834.ST



GENERAL SPECIFICATIONS FOR 6034.ST SHOWER BASE

INSTALLED SIZE _____ 1527 x 867 x 168mm (60-1/8" x 34-1/8" x 6-5/8")
 WEIGHT _____ 25 Kg. (55 LBS.)
 WEIGHT w/WATER _____ 137 Kg. (301 LBS.)
 SHOWER WELL AT SUMP _____ 1295mm X 635mm (51 X 25 IN.)
 SHOWER WELL AT RIM _____ 1397mm X 737mm (55 X 29 IN.)
 FLOOR LOADING _____ 103 Kgs/Sq. m. (21 LBS./SQ. FT.)
 (PROJECTED AREA)

GENERAL SPECIFICATIONS FOR 4834.ST SHOWER BASE

INSTALLED SIZE _____ 1222 x 870 x 168mm (48-1/8" x 34-1/4" x 6-5/8")
 WEIGHT _____ 28 Kg. (62 LBS.)
 WEIGHT w/WATER _____ 103 Kg. (226 LBS.)
 SHOWER WELL AT SUMP _____ 1029mm X 686mm (40-1/2 X 27 IN.)
 SHOWER WELL AT RIM _____ 1080mm X 724mm (42-1/2 X 28-1/2 IN.)
 FLOOR LOADING _____ 97 Kgs/Sq. m. (20 LBS./SQ. FT.)
 (PROJECTED AREA)