

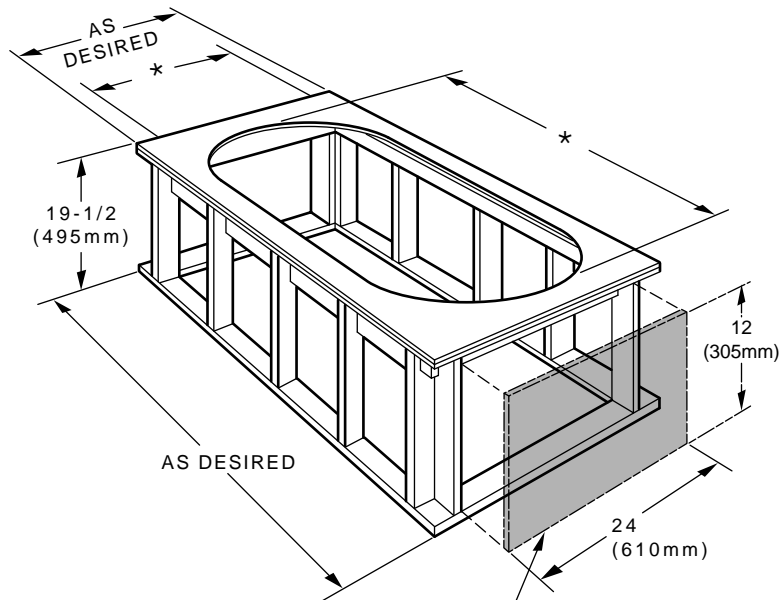
INSTALLATION AND FRAMING INSTRUCTIONS

The variety of installations possible for this whirlpool may require framing procedures other than those shown. Locate studs as required. Ensure roughing-in dimensions are proper, plumb and square. Provisions must be made in all installations for an access opening for servicing the pump and controls. It is strongly recommended that an additional opening be provided for access to the drain components.

NOTE: The apron should not be used as the primary access opening.

1. Position the whirlpool into the installation opening and level the deck, shimming the integral support feet as necessary.
2. Install drain components to the whirlpool following the manufacturers instructions. Before replacing your whirlpool for final installation, be certain that an opening has been provided in the sub-floor for the drain. See the roughing-in drawing for suggested opening size and location dimensions.
3. Replace whirlpool and re-shim the integral support feet, shimming the entire length of the support feet. Secure the shims using construction adhesive, silicone, mortar or equivalent materials. While not a necessity, the use of a foundation base consisting of cement (e.g. Sakrete), mortar, or grout will help provide a solid and secure installation.

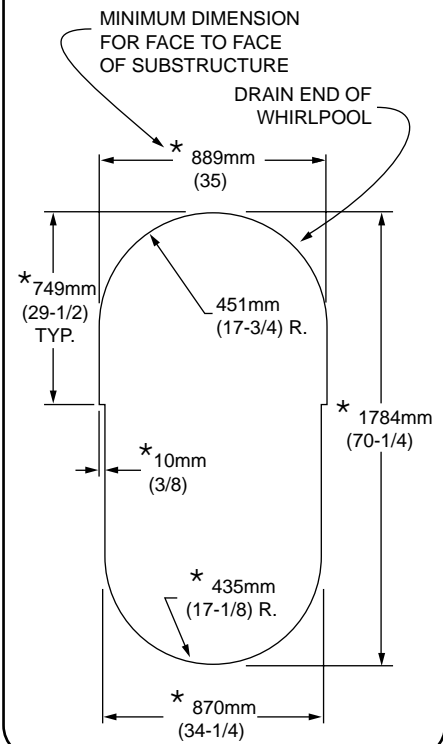
TYPICAL PIER TYPE INSTALLATION



**UNLESS AN ACCESS OPENING OF AT LEAST
12" X 24" (305 X 610MM) IS PROVIDED,
WARRANTY SERVICE WILL NOT BE PERFORMED.**

*** SEE CUTOUT TEMPLATE PROVIDED**

CUTOUT DIMENSIONS



ELECTRICAL INSTALLATION INSTRUCTIONS

All wiring must be performed by a licensed electrician in accordance with the national electrical code and all other applicable codes.

WARNING:

When using electrical products, basic precautions should always be observed, including the following:

1. DANGER: RISK OF ELECTRIC SHOCK

Connect only to a circuit protected by a ground-fault circuit interrupter.

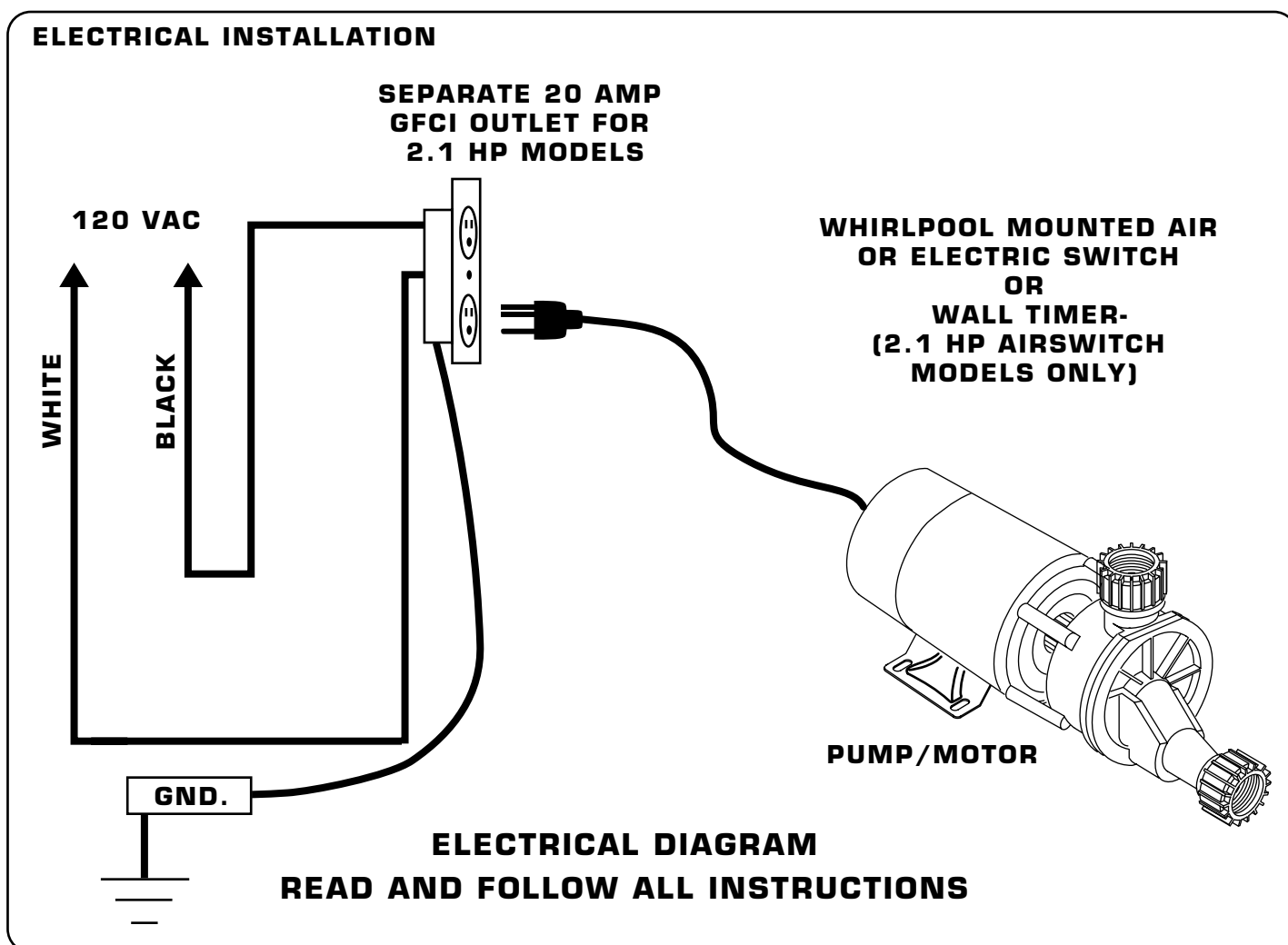
2. Grounding is required. The unit should be installed by a licensed electrician and grounded.

3. Install to permit access for servicing.

4. All building materials and wiring should be routed away from the pump body and heater (if equipped).

2.1 HORSEPOWER MODELS:

The whirlpool should be installed on a 120 vac, 20 amp dedicated circuit. The circuit should be hard-wired from the electrical power supply panel. The circuit must be a three (3) wire circuit from the electrical supply panel. A grounded neutral wire and a third wire, earth ground, are essential. **ADDING THE SAFETY HEATER REQUIRES A SEPARATE 15 AMP MAXIMUM GFCI CIRCUIT.**



WIRE SELECTION GUIDE

Motor Hi Performance Rating	Maximum distance from fusebox to motor			
	50'	100'	150'	200'
	120V Power Line			
2.1	12	10	8	8

The sizes shown on this chart are recommendations for copper conductors only. Always follow local and national electrical codes

DRAIN CONNECTION AND SYSTEM TEST

Using recommended drain opening, connect whirlpool drain to waste line. Tighten all drain joints securely. Check the pump couplings and make sure they are hand-tight. Clean the whirlpool and fill with water to a point 2" above the top of the highest jet. Recheck the pump couplings and make certain that they are not leaking. (Although the pump couplings are factory tightened and inspected, some loosening may have occurred during transit.) Make sure the whirlpool is connected to the electrical supply and turn the whirlpool on. Check for leaks around all piping connections while the whirlpool is running.

POST INSTALLATION CLEAN-UP

Remove all construction debris from bath. Tile grout can be removed with a wooden popsicle stick or tongue depressor. Do not use wire brushes or any other metal implement on bath surface.

Post installation clean-up generally can be completed using warm water and liquid dishwashing detergent. Stubborn dirt or stains may be removed using granular Spic and Span® mixed with water.

Painter's naphtha can be used to remove excess adhesives and/or wet oil-base paint.

HARSH CHEMICALS SHOULD NEVER BE USED ON ACRYLIC SURFACES.

Abrasive cleaners must not be used since they will scratch and dull the surface. Dulled areas can be restored by rubbing with a white automotive-type polishing compound and waxing with a liquid wax.