

ELLISSE 6' X 48" WHIRLPOOL

- 2711.018W Whirlpool Featuring System I:**
 - Acrylic with fiberglass reinforcement
 - Pre-leveled tub bottom
 - Three lumbar support positions
 - Molded-in seat
 - 2.0 HP single speed, self-draining pump/motor
 - Factory installed power cord and plug
 - Six multi-directional and flow-adjustable jets including:
 - Three Ideal-flow jets
 - Three body massage jets
 - Deck-mounted air switch On/Off
 - Two silent air volume controls
 - Quick Connect Safe-T-Heater connection system
 - Factory installed and tested whirlpool system
- 2711.018WGD Whirlpool Massage featuring System I with Grab Bar Drilling**
 - Same as 2711.018W except with grab bar drilling (grab bar must be ordered separately)
- 2711.018WC StayClean™ Whirlpool Massage featuring System I**
 - Same as 2711.018W except with the StayClean™ whirlpool system featuring Antimicrobial AlphaSan®
- 2711.018WCGD StayClean™ Whirlpool Massage featuring System I**
 - Same as 2711.018W except with the StayClean™ whirlpool system featuring Antimicrobial AlphaSan® and grab bar drilling (grab bar must be ordered separately)

Nominal Dimensions: 1829 x 1219 x 546mm
(72" x 48" x 21-1/2")

**Compliance Certifications -
Meets or Exceeds the Following Specifications:**

- Underwriters Laboratories - Hydromassage Bathtubs UL 1795
- ASME A112.19.7M for Whirlpool Appliances
- ANSI Z124.1 for Plastic Bathtubs
- ASTM E162 for Flammability
- NFPA 258 for Smoke Density

NOTE: Roughing-in dimensions and product specifications shown on reverse side of page.



To Be Specified - Required:

- Color:
- Bath Filler: (specify finish)
- Bath Drain: 1583.470 (specify finish)

To Be Specified - Optional:

- Safe-T-Heater*: 9075.120
- Grab Bar Kit: 9836.017-one per kit (specify color)
- Universal Tile Bead Kit: 751755-100

For color/finish availability and other faucet choices, please see the Product Selector and Pricing Guide.

* **NOTE:** the Safe-T-Heater is designed to maintain water temperature during operation. It will not heat cold water to desired bathing temperature.

ELLISSE 6' X 48" WHIRLPOOL

- 2711.028W Whirlpool Featuring System II:**
 - Acrylic with fiberglass reinforcement
 - Pre-leveled tub bottom
 - Three lumbar support positions
 - Molded-in seat
 - 2.0 HP, two speed, self-draining pump/motor with pulse feature
 - Factory installed power cord and plug
 - Six multi-directional and flow-adjustable jets including:
 - Three Ideal-flow jets
 - Three body massage jets
 - Deck-mounted electronic control with 20 minute built-in timed safety shut off and Chrome Bezel
 - Two silent air volume controls
 - Quick Connect Safe-T-Heater connection system
 - Factory installed and tested whirlpool system

- 2711.028WGD Whirlpool Massage featuring System II with Grab Bar Drilling**
 - Same as 2711.028W except with grab bar drilling (grab bar must be ordered separately)

- 2711.028WC StayClean™ Whirlpool Massage featuring System II**
 - Same as 2711.028W except with the StayClean™ whirlpool system featuring Antimicrobial AlphaSan®

- 2711.028WCGD StayClean™ Whirlpool Massage featuring System II**
 - Same as 2711.028W except with the StayClean™ whirlpool system featuring Antimicrobial AlphaSan® and grab bar drilling (grab bar must be ordered separately)

Nominal Dimensions: 1829 x 1219 x 546mm
(72" x 48" x 21-1/2")

- Compliance Certifications - Meets or Exceeds the Following Specifications:**
- Underwriters Laboratories - Hydromassage Bathtubs UL 1795
 - ASME A112.19.7M for Whirlpool Appliances
 - ANSI Z124.1 for Plastic Bathtubs
 - ASTM E162 for Flammability
 - NFPA 258 for Smoke Density

NOTE: Roughing-in dimensions and product specifications shown on reverse side of page.

To Be Specified - Required:

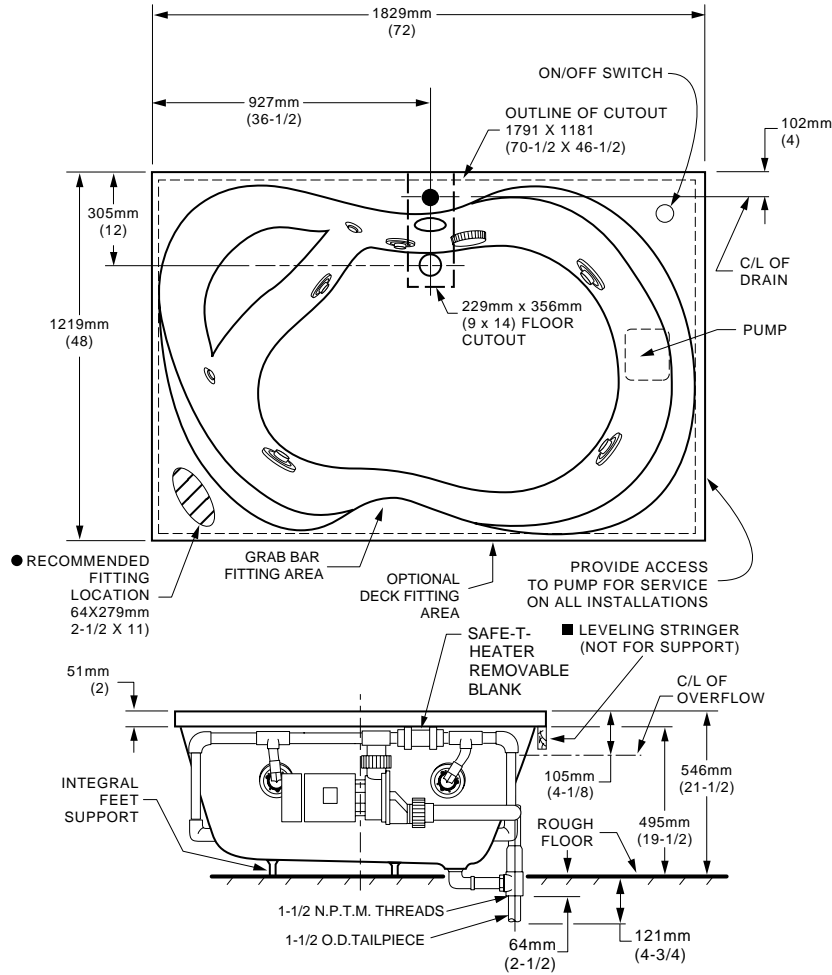
- Color:
- Bath Filler: (specify finish)
- Bath Drain: 1583.470 (specify finish)

To Be Specified - Optional:

- Safe-T-Heater*: 9075.120
- Grab Bar Kit: 9836.017-one per kit (specify color)
- Universal Tile Bead Kit: 751755-100

For color/finish availability and other faucet choices, please see the Product Selector and Pricing Guide.

* **NOTE:** the Safe-T-Heater is designed to maintain water temperature during operation. It will not heat cold water to desired bathing temperature.



GENERAL SPECIFICATIONS FOR 2711 WHIRLPOOL	
INSTALLED SIZE	72 x 48 x 21-1/2 In. (1829 x 1219 x 546mm)
WEIGHT	148 Lbs. (67 Kg.)
WEIGHT w/WATER	965 Lbs. (434 Kg.)
GAL. TO OVERFLOW	95 Gal. (360 L)
WHIRLPOOL MIN. OPERATING VOL.	74 Gal. (280 L)
BATHING WELL AT SUMP	43 x 28 In. (1092 x 711mm)
BATHING WELL AT RIM	68 x 38 In. (1727 x 965mm)
WATER DEPTH TO OVERFLOW	14-5/8 In. (371mm)
FLOOR LOADING (PROJECTED AREA)	40 Lbs./Sq.Ft. (195 Kgs./Sq.m)
PTS.	30.3
CUBE (FT ³)	60.8
WHIRLPOOL ELECTRICAL SPECIFICATIONS	
SYSTEM I PUMP	2.1 HP, 14.4 AMPS, 120V.
SYSTEM II PUMP	2.1 HP, 15.6 AMPS, 120V.

NOTES:

BATH CAN BE INSTALLED EITHER ABOVE OR BELOW FLOOR LINE AS PIER, ISLAND, OR PENINSULA TYPE INSTALLATION. SUMP OF BATH IS SUPPORTED BY INTEGRAL FEET. NO ADDITIONAL SUPPORT REQUIRED. ENCLOSING MATERIAL BY OTHERS.

■ REFER TO INSTALLATION INSTRUCTIONS SUPPLIED WITH WHIRLPOOL FOR ADDITIONAL INFORMATION.

OPTIONAL GRAB BAR KIT AVAILABLE AND MUST BE ORDERED SEPARATELY.

FITTINGS NOT INCLUDED AND MUST BE ORDERED SEPARATELY.

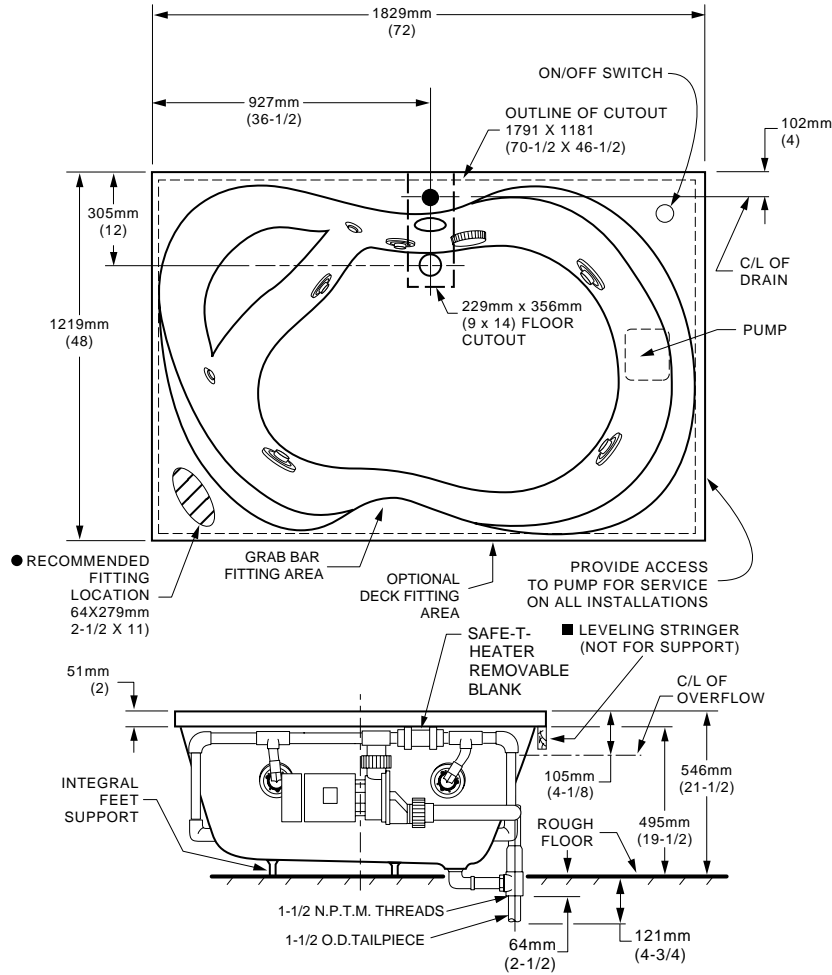
PROVIDE SUITABLE REINFORCEMENT FOR ALL SUPPORTS.

● IF INSTALLING A DECK-MOUNTED FITTING, BEFORE DRILLING ANY HOLES: CHECK FOR INTERFERENCE WITH CIRCULATING SYSTEM PIPING. MOUNTING HOLES DRILLED BY INSTALLER.

SUPPLY PIPING NOT INCLUDED.

ON SYSTEM II "H" VARIATION WITH IN-LINE SAFE-T-HEATER: SYSTEM CONTROL MODULE TO BE MOUNTED BEHIND ACCESS PANEL A MINIMUM OF (152MM) 6" ABOVE ROUGH FLOOR.

IMPORTANT: Dimensions of fixtures are nominal and may vary within the range of tolerances established by ANSI Standard Z124.1. These measurements are subject to change or cancellation. No responsibility is assumed for use of superseded or voided pages.



GENERAL SPECIFICATIONS FOR 2711 WHIRLPOOL	
INSTALLED SIZE	72 x 48 x 21-1/2 In. (1829 x 1219 x 546mm)
WEIGHT	148 Lbs. (67 Kg.)
WEIGHT w/WATER	965 Lbs. (434 Kg.)
GAL. TO OVERFLOW	95 Gal. (360 L)
WHIRLPOOL MIN. OPERATING VOL.	74 Gal. (280 L)
BATHING WELL AT SUMP	43 x 28 In. (1092 x 711mm)
BATHING WELL AT RIM	68 x 38 In. (1727 x 965mm)
WATER DEPTH TO OVERFLOW	14-5/8 In. (371mm)
FLOOR LOADING (PROJECTED AREA)	40 Lbs./Sq.Ft. (195 Kgs./Sq.m)
PTS.	30.3
CUBE (FT ³)	60.8
WHIRLPOOL ELECTRICAL SPECIFICATIONS	
SYSTEM I PUMP	2.1 HP, 14.4 AMPS, 120V.
SYSTEM II PUMP	2.1 HP, 15.6 AMPS, 120V.

NOTES:

BATH CAN BE INSTALLED EITHER ABOVE OR BELOW FLOOR LINE AS PIER, ISLAND, OR PENINSULA TYPE INSTALLATION. SUMP OF BATH IS SUPPORTED BY INTEGRAL FEET. NO ADDITIONAL SUPPORT REQUIRED. ENCLOSING MATERIAL BY OTHERS.

■ REFER TO INSTALLATION INSTRUCTIONS SUPPLIED WITH WHIRLPOOL FOR ADDITIONAL INFORMATION.

OPTIONAL GRAB BAR KIT AVAILABLE AND MUST BE ORDERED SEPARATELY.

FITTINGS NOT INCLUDED AND MUST BE ORDERED SEPARATELY.

PROVIDE SUITABLE REINFORCEMENT FOR ALL SUPPORTS.

● IF INSTALLING A DECK-MOUNTED FITTING, BEFORE DRILLING ANY HOLES: CHECK FOR INTERFERENCE WITH CIRCULATING SYSTEM PIPING. MOUNTING HOLES DRILLED BY INSTALLER.

SUPPLY PIPING NOT INCLUDED.

ON SYSTEM II VARIATION: SYSTEM CONTROL MODULE TO BE MOUNTED BEHIND ACCESS PANEL A MINIMUM OF (152MM) 6" ABOVE ROUGH FLOOR.

IMPORTANT: Dimensions of fixtures are nominal and may vary within the range of tolerances established by ANSI Standard Z124.1. These measurements are subject to change or cancellation. No responsibility is assumed for use of superseded or voided pages.