

# American Standard

# CERAMIX

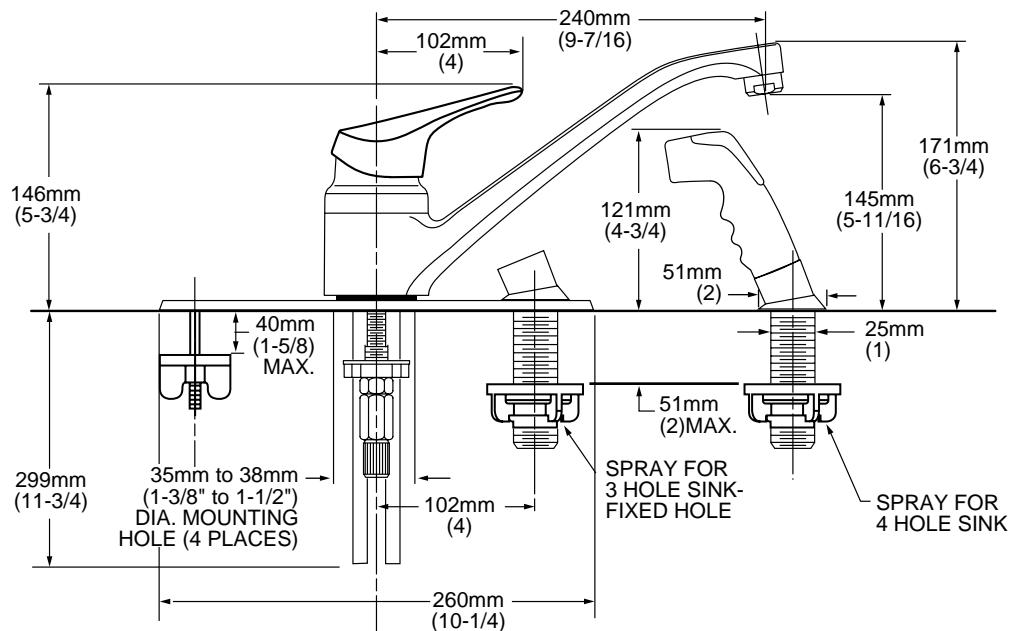
## SINGLE CONTROL KITCHEN FAUCET WITH CAST BRASS SPOUT

### MODEL NUMBER:

- 2021.631 Kitchen Faucet**  
Handspray through escutcheon.
- 2021.641 Kitchen Faucet**  
Separate handspray. Escutcheon plate.
- 2021.600 Kitchen Faucet**  
Less handspray. Escutcheon plate.



2021.641 Shown.



### GENERAL DESCRIPTION:

All brass body and swing spout with all metal handle. Washerless 47mm ceramic disc valve cartridge. 3/8" O.D. copper supplies. 2.2 gpm/8.3L/min. maximum flow. Fitting can be mounted with or without supplied escutcheon plate (escutcheon size 10-1/4" L x 2-3/8" W).

### PRODUCT FEATURES:

**Brass and Copper Waterway:** Highest quality faucet materials for durability and long life.

**Memory Position Valving:** Allows user to turn valve on and off at preferred temperature setting without readjusting handle position each time.

**Ceramic Disc Valve Cartridge:** Assures a lifetime of drip-free performance.

**Low Lead:** Meets NSF Standard 61/Section 9 & Prop 65 lead requirements.

**Choice of Finishes:** Choice of Polished Chrome, White, Bone or Satin.

### SUGGESTED SPECIFICATION:

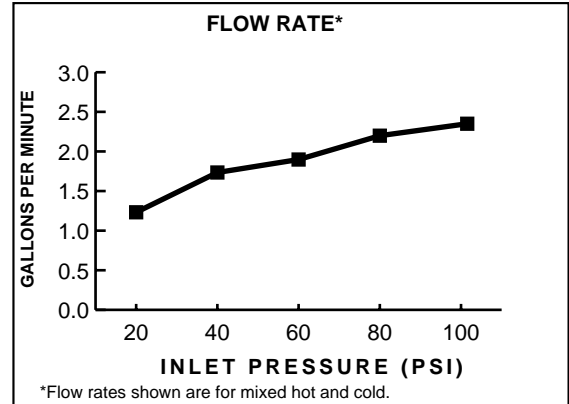
Single control kitchen fitting shall feature a cast brass body, cast brass swing spout and all metal handle. Shall also feature washerless ceramic disc valve cartridge. Fitting shall be American Standard Model # 2021.\_\_\_\_.\_\_\_\_.

## SINGLE CONTROL KITCHEN FAUCET WITH CAST BRASS SPOUT


### CODES AND STANDARDS

These products meet or exceed the following codes and standards:

- ANSI A117.1**
- ASME A112.18.1**
- CSA B 125**



Product Number	Description	Finish Options			
		Polished Chrome	Bone	White Heat	PVD Satin
		002	021	208	295
2021.631	Kitchen faucet. 3/8" copper inlets. Handspray through escutcheon.				
2021.641	Kitchen faucet. 3/8" copper inlets. Separate handspray. Escutcheon plate.				
2021.600	Kitchen faucet. 3/8" copper inlets. Less handspray. Escutcheon plate.				

 Meets the American Disabilities Act Guidelines and **ANSI A117.1** Requirements for the physically challenged.